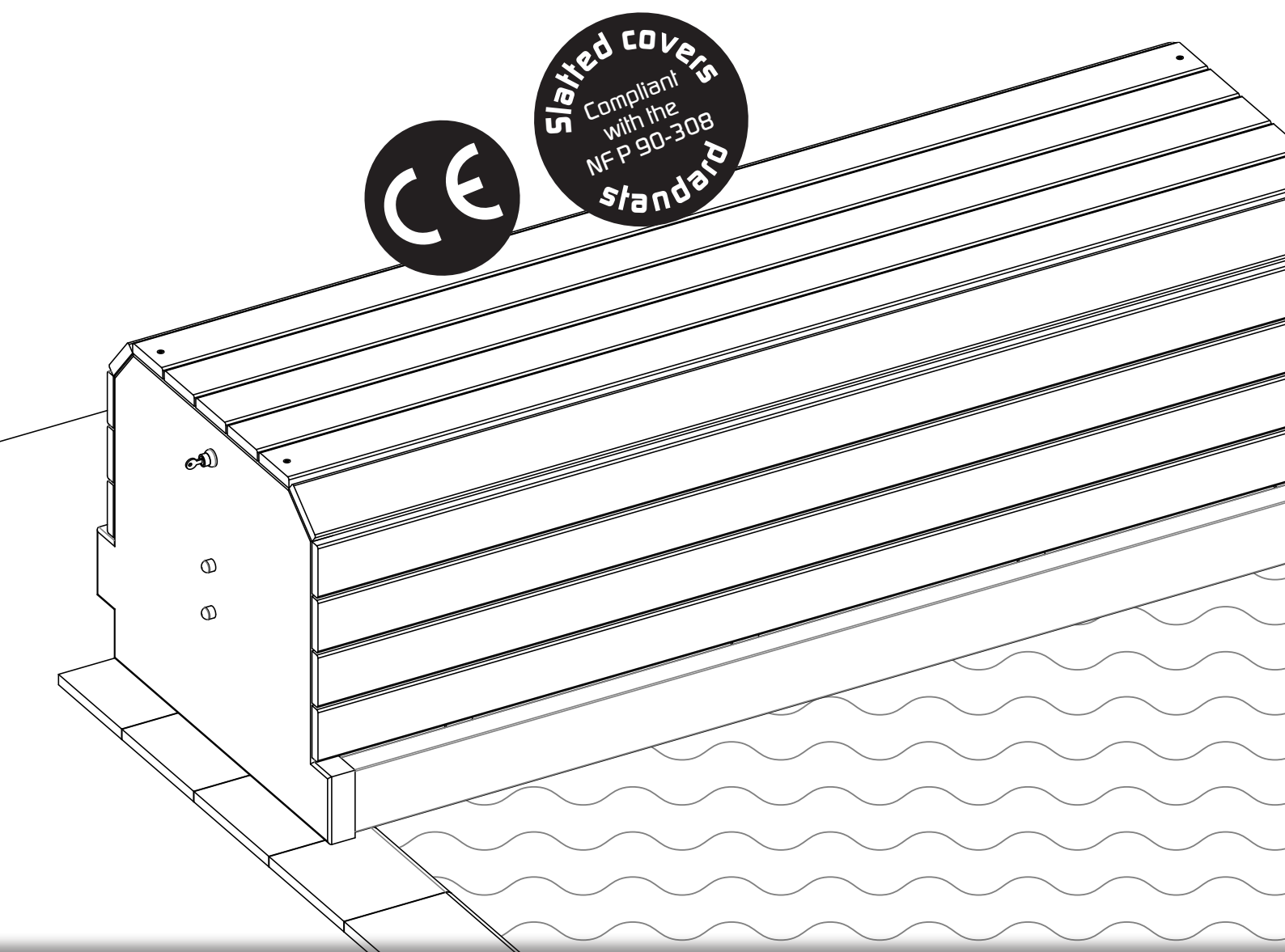


ABOVE WATER SLATTED SAFETY COVER

BANC CLASSIC

Installation manual

Please read carefully and keep
available for later use
01/2022 Version



FOREWORD

This manual is intended for the person who installs and commissions an ABRIBLUE slatted safety cover.

This manual must then be given to the pool owner along with the safety and user instructions so that it is available for subsequent use.

The advice given in this leaflet is the result of AS POOL's experience in manufacturing automatic slatted covers since 1995. It will allow users to make the best use of this product which should give complete satisfaction.

Compliant with the highest requirements, our safety cover was designed to prevent children younger than 5 years old from accessing the pool when it is unrolled and locked.



CAUTION

The floating slatted safety cover is not a substitute for your common sense or your responsibilities. It does not replace the vigilance of a responsible adult, which remains the essential factor in the protection of young children.

USEFUL ADDRESS

Your dealer (stamp):

CONTENTS

1. Preparing the pool	4
1.1 Electric connections and cable passages	4
1.2 Building work	5
1.3 Squaring checks	5
2. Delivery and Reception	6
2.1 Delivery	6
2.2 Reception	6
2.3 Necessary tools	6
2.4 Crate content:	6
3. Assembling the roller	7
3.1 Placing the roller on the pool	7
3.2 Preparing the fixtures	7
3.3 Placing the studs	7
3.4 Cutting the pool coping	8
3.5 Final overall dimensions of the pool cover	8
4. Electric connections	9
4.1 Box	9
4.2 Motor and key switch	9
4.3 Roller rotation test	9
5. Assembling the slats	10
6. Limit switch adjustments	10
6.1 End of unrolling	10
6.2 Fixing the slat cover to the roller shaft	10
6.3 Adjustment of the end of rolling stop	10
7. Test instructions in the event of a malfunction	11
7.1 Box checks	11
7.2 Checking the power supply cable between the electric box and the roller motor	11
7.3 Checking the key switch	11
7.4 Direct motor check	12
7.5 Uncoupling motor	12
8. Checks	12
9. Reception of the cover by the end user	12
10. Appendix	13

1. Preparing the pool

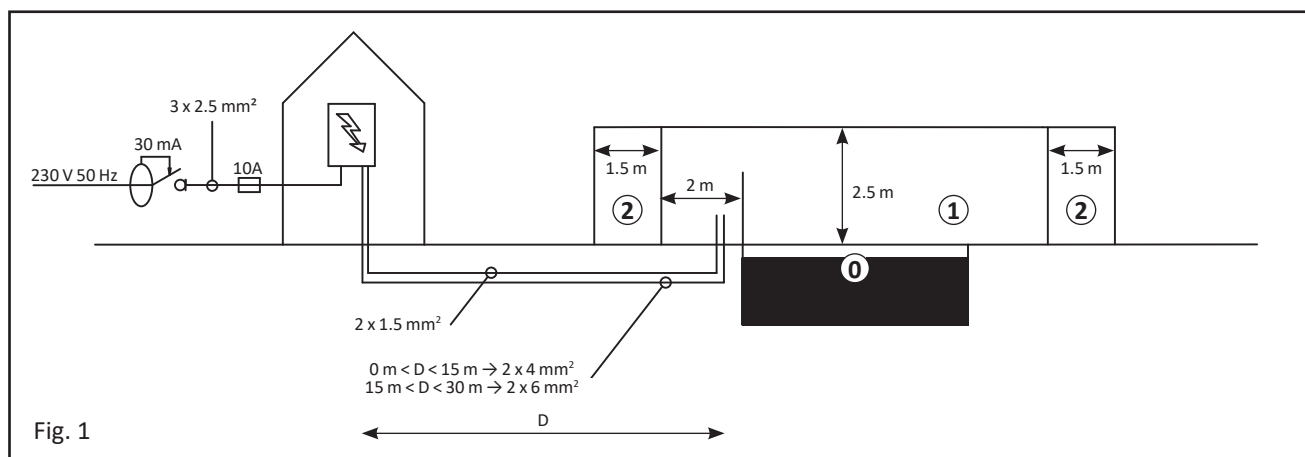
1.1 Electric connections and cable passages

1.1.1 Electric box power supply

Fig. 1

Prepare a 230 V power supply using an R2V 3G2.5 mm² (or Ro2V 3G2.5 mm²) cable for the electric box, which must be installed outside volumes ①, ② and ③, and in a dry place (technical room).

Consult the current electric standards and in particular NF C 15-100.



1.1.2 Electrical protection

This power supply must be protected by a circuit breaker or a 10 A fuse and a 30 mA ground fault circuit breaker.

1.1.3 Sheaths

Prepare a connection protected by a sheath for the power supply between the box and the roller using 2 x 4 mm² size wire if the cable is less than 15 m long and using 2 x 6 mm² size wire if the cable is between 15 m and 30 m long.

Prepare a connection protected by a sheath to couple the treatment control box between the control box and the roller using 2 x 1.5 mm² wire.

1.1.4 Cable passage

Separate cables transporting different voltages (24V and 220V) and pass them freely placed in different protective sheaths and connect, removing all risks of oxidation and short-circuiting, and in watertight and accessible boxes located outside of volume 0 of the swimming pool as per the NF C 15-100 standard..

1.1.5 Earthing

In compliance with the NF C15-100 standard, it is imperative that all pools be fitted with earthing in compliance with standard requirements to evacuate any stray currents that would exacerbate metal oxidation phenomena.

1.1.6 Cable exit

Fig. 2

Exit these connecting cables from the slatted cover stand (motor side) 5 cm from the edge of the pool in the alignment of the rear coping of the pool in the case of 90° corner coping. If necessary advance them by the distance of the radius of the curved part of the pool's angle.

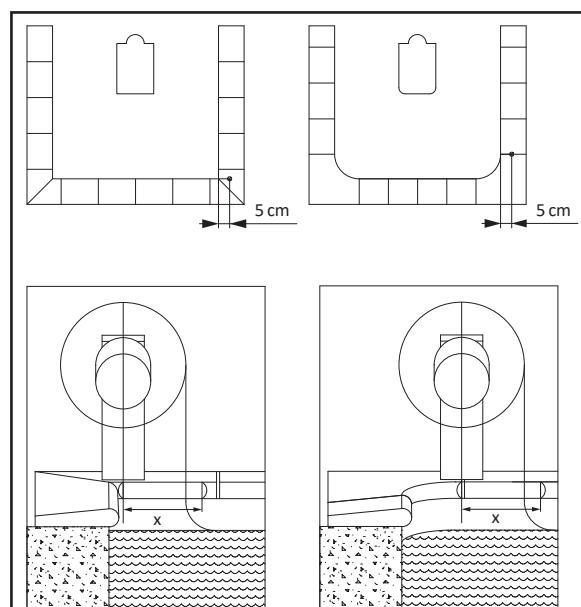


Fig. 2

1.2 Building work

1.2.1 Concrete belt

Fig. 3

Create a 0.10 m³ concrete block dosed at 350 kg/m³, 1 m long, 0.25 m wide and 0.4 m high.

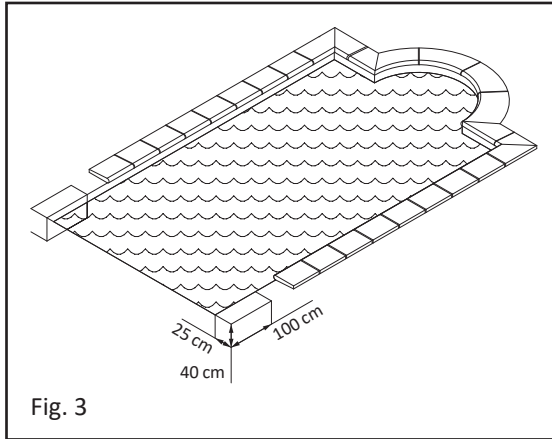


Fig. 3

1.2.2 Overflow

Fig. 4

Plan to control the water level at between -10 cm and -15 cm below the levelling course using a \varnothing 50 mm overflow which is independent of the skimmers, and automatic filling. The absence of an operational overflow compliant with our recommendations will void our guarantee.

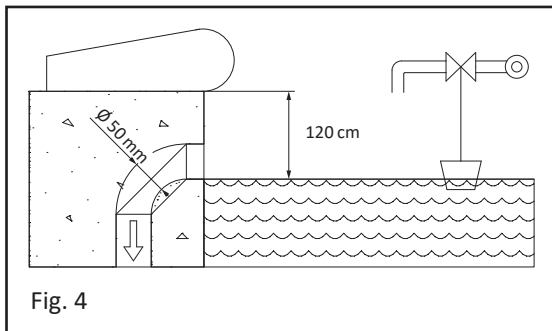


Fig. 4

1.2.3 Skimmer

When possible, plan to place the skimmers on the pool widths and not on the lengths in order to facilitate the movement of the cover.

1.3 Squaring checks

Fig. 5

- 1.3.1 In order to correctly place your roller perpendicular to the pool lengths: measure the diagonals.
- 1.3.2 Make a mark (1) on the pool liner at the level of the edge opposite the cable exit.
- 1.3.3 Measure a precise length "A" of 1 m less than the length of the pool and make a mark (2), at the end of A on the pool liner.
- 1.3.4 On the opposite length make a mark (3) opposite mark (1).

Important, items 1 and 3, while complying with squaring, must be located as close as possible to being plumb with the rear coping edges for right angles, or the end of any eventual curve.

- 1.3.5 Carry over the "A" measurement from (3) in order to place mark (4).
- 1.3.6 Measure the distance "B1" between (1) and (4).
- 1.3.7 Measure the distance "B2" between (2) and (3).
- 1.3.8 If B1 and B2 are equal continue with the next step, otherwise correct the position of marks (3) and (4) and start the operation again until B1 = B2.

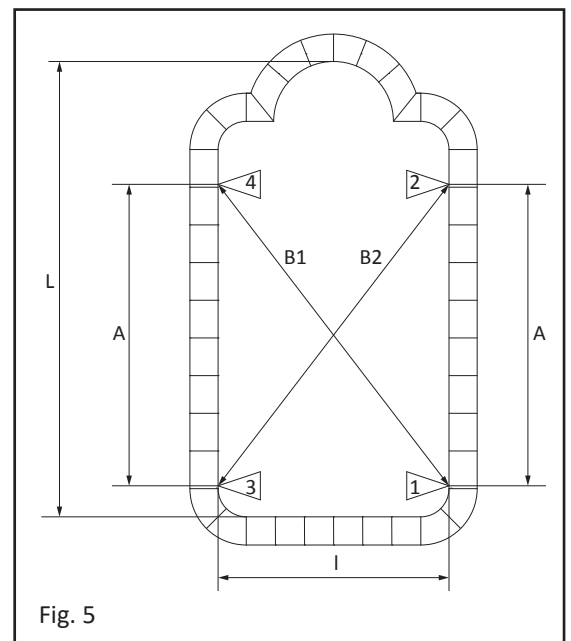


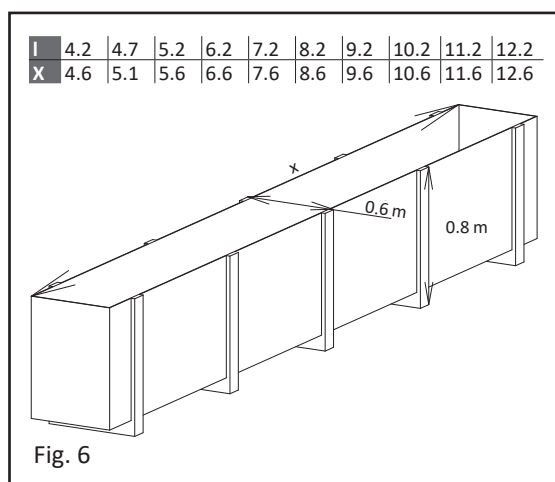
Fig. 5

2. Delivery and Reception

2.1 Delivery

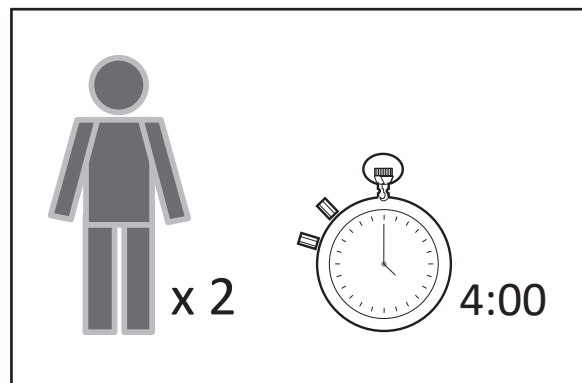
Fig. 6

- 2.1.1 Plan the presence of 2 to 6 persons, or use a handling device to handle the cover. The cover is delivered in a non-recoverable wooden container measuring at least 40 cm more than the width of the pool. It is heavy and fragile.
- 2.1.2 For a 4 x 8 pool, the container weighs 410 kg and measures 4.6 x 0.6 x 0.8(h).
- 2.1.3 For a 5 x 10 pool, the container weighs 560 kg and measures 5.6 x 0.6 x 0.8(h).



2.2 Reception

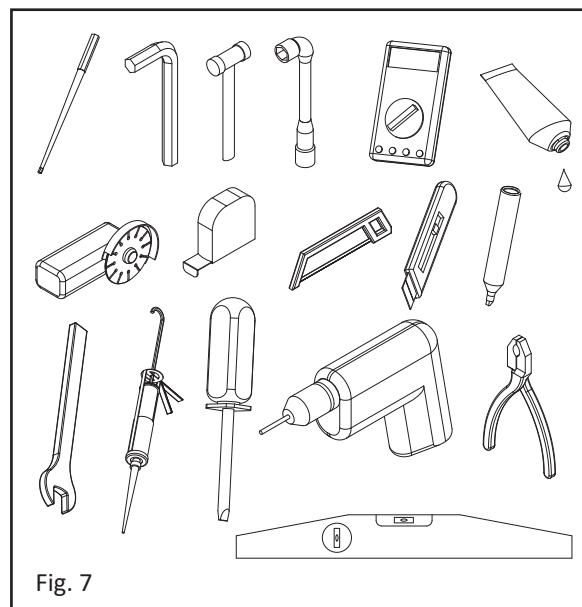
- 2.2.1 Open the container in the presence of the delivery staff and check the condition of the goods and their compliance. Keep the original packing.
- 2.2.2 If there is any damage or missing parts, write down your reserves on the transport documents (e.g.: burst pack). The words "subject to unpacking" alone are null and void. Send a registered letter (with acknowledgement of receipt) to the transporter within 2 days. This letter must accurately detail the damage found. Send a copy of the letter to AS POOL for information.
- 2.2.3 Store the parts in the container which should not be left in full sunlight, but should be placed in a cool place if the assembly is not carried out on the same day.
- 2.2.4 Make the inventory compared to the order.
- 2.2.5 Read the instructions completely before starting the assembly.
- 2.2.6 The installation requires 2 people for 4 hours.



2.3 Necessary tools

Fig. 7

Plan the equipment necessary for assembly: a perforator, a set of flat spanners, socket wrenches and hex keys, a set of screwdrivers, a mallet, pliers, a level, a glue gun, a cutter, a multimeter, a tape measure, a grinder, a marker and a saw.



2.4 Crate content:

- A slatted cover,
- A roller shaft,
- Two flanges fixed to a frame supporting the roller shaft,
- A 19 x 25 cm box,
- A fastener kit,
- An installation manual.

3. Assembling the roller

3.1 Placing the roller on the pool

Important, the lowest beam is located at the bathing side and not above the coping.

Fig. 8

- 3.1.1 Remove the top of the bench by unscrewing the screws, then by gently lifting the entire panel, one person at either end, to gain direct access to the motorised shaft. (Over 6 m width, the top is in two parts to be removed separately).

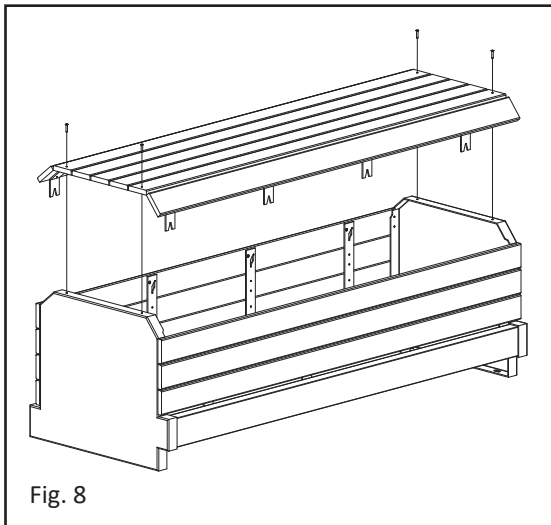


Fig. 8

- 3.1.2 Fig. 9

Open the lid of the junction box (2) inside the bench. Pass the power supply cable and the motor cable through the sides (5) and tighten them.

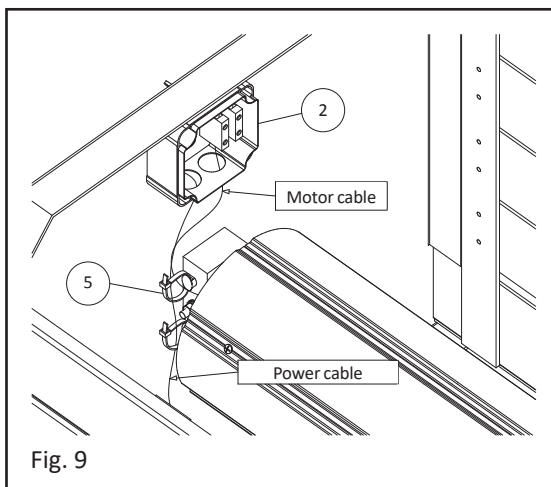


Fig. 9

- 3.1.3 Proceed with the electric connections and limit switch adjustments according to the instructions below (§ 4).

- 3.1.4 Place the bench directly on the levelling course. The upper surface of the casing must be perfectly level.

- 3.1.5 Carry out the rolling and unrolling tests in order to optimise the position of the bench while maintaining a maximum gap of 10 cm between the rear pool deck and the bottom of the bench beam, as well as 15 cm on the pool side between the bottom of the beam (bench) and the water level.

3.2 Preparing the fixtures

Fig. 10

- 3.2.1 Mark the position of the 4 fixing holes and drill to a diameter of 10.5 mm for the M10 studs.

- 3.2.2 Clean the holes by blowing.

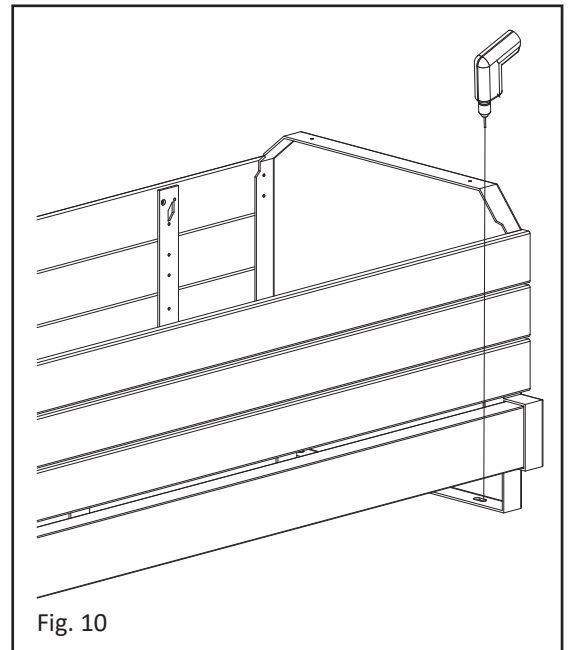


Fig. 10

3.3 Placing the studs

Fig. 11

Strike the M 10 studs using a mallet until they protrude from the flange by 15 mm.

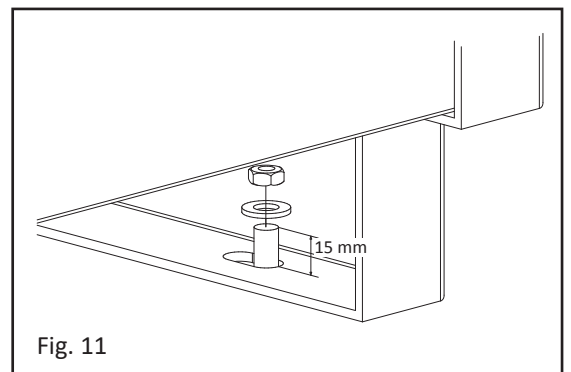
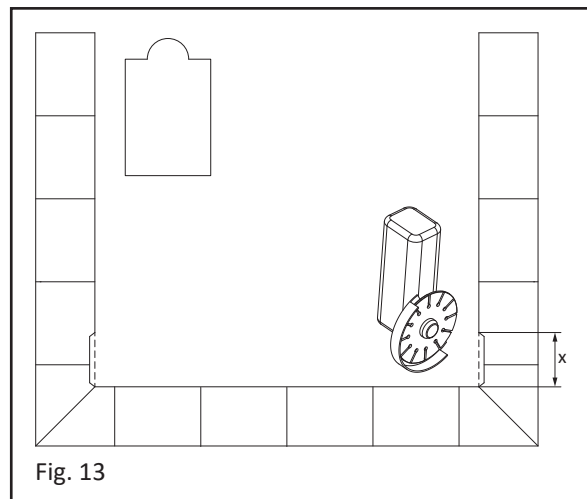
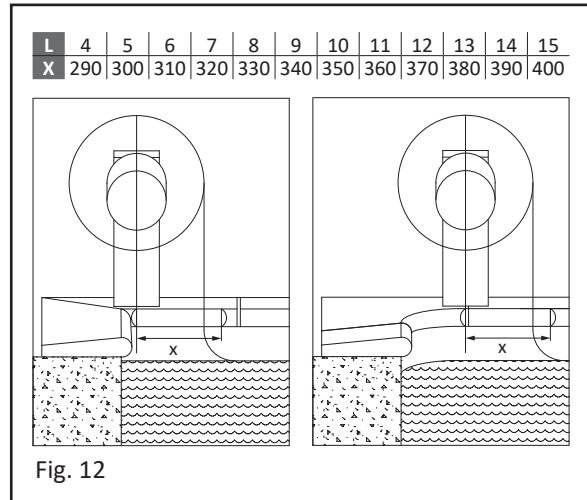


Fig. 11

3.4 Cutting the pool coping

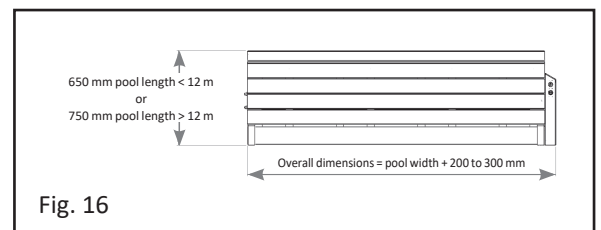
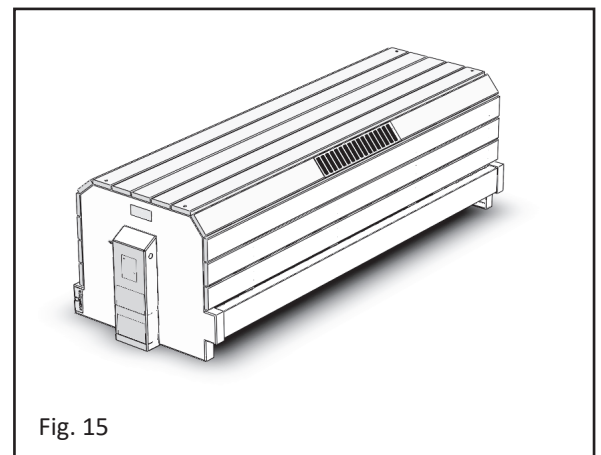
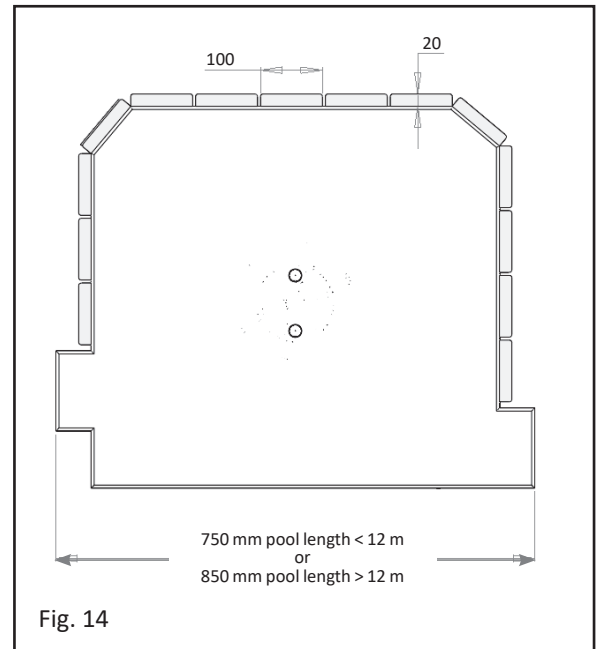
Fig. 12 et 13

Cut the ends of the pool coping (if it overhangs the pool) over a length "x" depending on the pool length "L" in order to allow the slats to move from the roller shaft to the pool without rubbing against the coping which could break the caps..



3.5 Final overall dimensions of the pool cover

Fig. 14-15-16



4. Electric connections

Have the electric connections made by a qualified technician in compliance with current standards.
Fix the transformer box in the technical room.

4.1 Box

Fig. 17 REFER TO THE ATTACHED WIRING DIAGRAMS.

- 4.1.1 Connect the 230 V power supply cable in the electric box to the terminal marked "T" for the earth, "P" for the phase and "N" for the neutral.
- 4.1.2 Connect the 2 power wires on the connecting cable to the terminals marked "+" and "-".

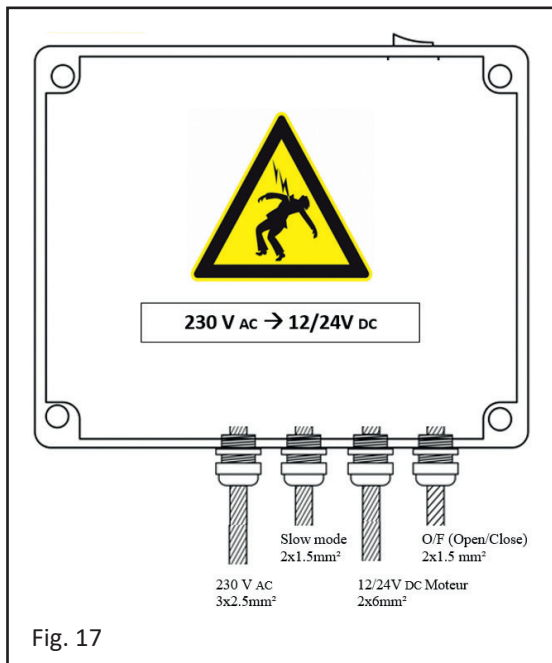


Fig. 17

- 4.1.3 Connect the cable from the treatment control box to terminals (NC) and (C) or (NO) and (C) depending on the appliance contact type.

4.2 Motor and key switch

REFER TO THE ATTACHED WIRING DIAGRAMS.

- 4.2.1 Connect the power wires in the bench junction box to the dominoes marked "+" and "-", making sure to comply with the polarity.
- 4.2.2 Connect the numbered motor cable wires blue, brown, black and red to the screw terminals numbered 1, 2, 3 and 4.
- 4.2.3 Connect the open/close cable (2 x 1.5 mm²) for treatment coupling to screw terminals 1 and 2.

4.3 Roller rotation test

Fig. 18

Test the tube's rotation in both directions. The slats should roll by passing over the roller shaft. If the movement is not in the required direction, reverse the blue and brown wires.

- 4.3.1 Let the tube turn in the unrolling direction until the motor stops (end of limit switch, unrolling).
- 4.3.2 Finish the adjustment of the limit switches once the cover's slats have been assembled.

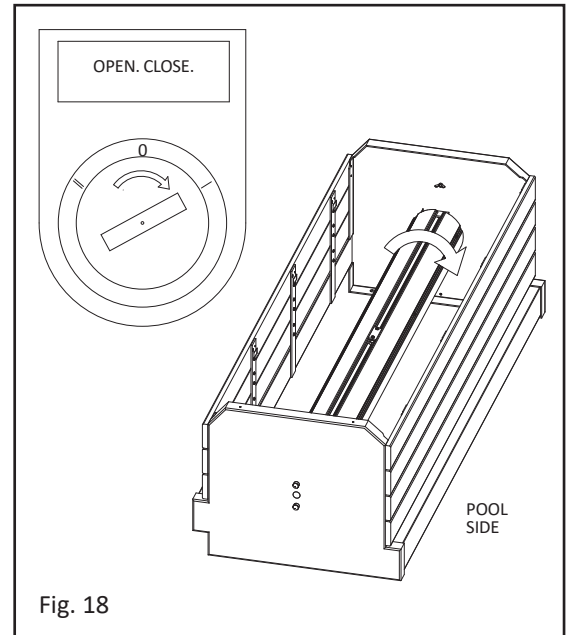


Fig. 18

5. Assembling the slats

Please refer to the "Slat cover" instructions.

6. Limit switch adjustments

6.1 End of unrolling

Fig. 19

- 6.1.1 Find the 2 end of run adjustment screws on the motor located between the post and the roller tube by pivoting the end of run cover.
- 6.1.2 The screw on the pool deck side adjusts the end of unrolling stop. Using the key switch, rotate the motorised tube in the unrolling direction until the motor stops automatically. (This is the end of run position).

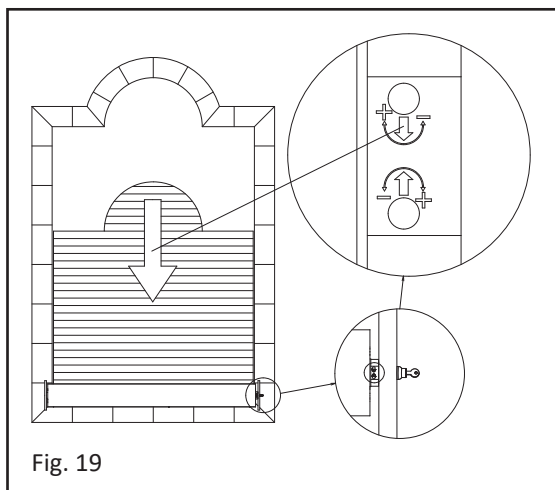


Fig. 19

6.2 Fixing the slat cover to the roller shaft

Fig. 20

- 6.2.1 Slide the black strap fixtures onto the shaft opposite the fixture straps which are on the slats and then fix the straps between the black 30 x 80 fixtures by tightening the screws. Check that the gaps around the cover in the pool are evenly spaced on either side as soon as the rolling starts.
- 6.2.2 Correct the position of the strap fixtures if the spacing is not even.

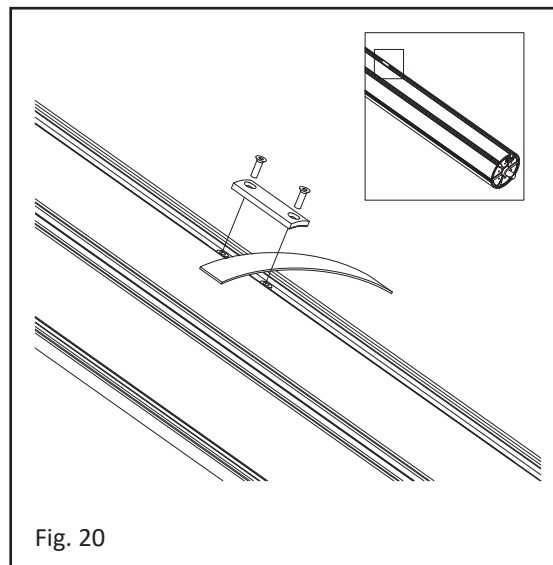


Fig. 20

6.3 Adjustment of the end of rolling stop

Fig. 19

Use the key switch to roll in the cover: if the gear motor stops by itself before the entire cover has been rolled in, adjust this using the adjustment screw on the pool side by turning it clockwise to lengthen the run using the blue hex key provided.

- If the entire cover is rolled in before the gear motor stops, unroll 1 m, then adjust the run using the adjustment screw on the poolside by turning it anti-clockwise to reduce the run, then begin the rolling run stop adjustment from the beginning.

7. Test instructions in the event of a malfunction

The following list has been drawn up in order to help diagnose and correct malfunctions that may occur during installation. This guide is exclusively for the professional authorised to install the cover in order to maintain the validity of the guarantee. If, after having followed these instructions, the cause of the malfunction has not been found, the professional must contact the cover retailer or manufacturer.

Read completely before carrying out the operations. Refer to figures 14 and 15.

Turn the switch on the box to Off or "0" before each connection, disconnection operation.

Respecting the poles between the power box and the roller is important because the rotation of the motor depends on the blue and brown motor cable wires and not directly the box "+" and "-".

Check the condition and the correct tightening of the electric connections.

7.1 Box checks

- 7.1.1 Refer to the 12 V or 24 V voltage indicated on the box and the "Appendix" section.
- 7.1.2 Turn the box switch to stop/Off or "0"
- 7.1.3 Disconnect the 2 wires connecting the box to the roller motor. These two wires are connected to the "-" and "+" or "0vdc" and "24vdc" terminals depending on the box model.
- 7.1.4 Turn the switch on the electric box to start/On" or "1"
- 7.1.5 Box power supply test: 230 V AC (Alternating) on terminals "N" and "P" of the control box to which the 230 V is connected.
- 7.1.6 Switching mode power supply test on the input: 230 V AC (Alternating) on terminals "N" and "L" of the power supply.
- 7.1.7 Switching mode power supply test on the output: 24 V DC (direct) on terminals "V-" and "V+" of the power supply. Note: the switching mode power supply LED must be on.
- 7.1.8 Check that the fuse of circuit breaker are in good condition by using a tester to test the continuity.
- 7.1.9 Box output power supply test: 24 V DC (direct) to the "-" and "+" or "0vdc" and "24vdc" terminals depending on the box model.

7.1.10 If a voltage is not present or of a different value, check again making sure that the multimeter tips are in contact with the terminals and that your multimeter is calibrated and on the correct measurement position. A voltage that is absent or different from the indicated voltage indicates that the tested component is defective. Replace it or request its return to AS POOL for analysis.

7.1.11 If the voltage is correct the box is in perfect working order.

7.2 Checking the power supply cable between the electric box and the roller motor

- 7.2.1 Reconnect the cable that supplies the roller in the electric box and disconnect it from the roller post at its entry from the screw terminals marked "+" and "-".
- 7.2.2 Step by step, check for the presence of the indicated voltage on the following terminals:
- 7.2.3 Connecting cable test: 12 V or 24 V DC in the box at the terminals marked "+" and "-" to which the connecting cable is connected. Then 12 V or 24 V DC at the terminals for the 2 wires arriving in the post. If the voltage is below 11 V or 22 V, this voltage will not be sufficient for the correct operation of the motor.
- 7.2.4 If voltage is not present or the value is different, it means that your cable is defective, cut, damaged or has the wrong resistance, or is located too near to a cable with a different voltage that disrupts its operation. Replace the cable. Make a temporary connection using another cable directly between the electric box and the motor to carry out new tests.

7.3 Checking the key switch

- 7.3.1 Use the continuity measurement of your multimeter to check that the contacts (NO) located behind the switch close one after the other when the key is turned first in one direction and then in the other.
- 7.3.2 On the screw terminals marked +, -, 1, 2, 3, 4,
- 7.3.3 Measure 12 V or 24 V DC between the "+" and "-",
- 7.3.4 Measure 12 V or 24 V DC between the 3 and 4,
- 7.3.5 Measure 12 V or 24 V DC between the 3 and 1 when the key is turned in one direction
- 7.3.6 Measure 12 V or 24 V DC between 3 and 2 when the key is turned in the other direction.

7.4 Direct motor check

- 7.4.1 Take 2 screw terminals.
- 7.4.2 Connect the + 12 V or + 24 V DC to one screw terminal and the "-" (0) to the other screw terminal.
- 7.4.3 Fixing the cover to the axis The direction of polarity is important.
- 7.4.4 Place the blue wire in contact with the red wire (+ 12 V or 24 V): the motor should turn in one direction.
- 7.4.5 Remove the blue wire
- 7.4.6 Instead, place the brown wire in contact with the red wire Red (+ 12 V or 24 V): the motor should turn in the other direction.
- 7.4.7 Reversing the blue and brown wires reverses the motor rotation direction.
- 7.4.8 To make sure that the motor is not at the limit switch stop, turn the adjustment screws of the end of run clockwise towards the + indication.
- 7.4.9 If, after these tests, the motor will still not run, this indicates a motor defect. This can be the result of a power surge due to a thunder storm, a faulty connection, or a defective component. Replace it or request its return to AS POOL for analysis.

7.5 Uncoupling motor

- 7.5.1 Switch off the box.
- 7.5.2 Remove the top cover of the Bench.
- 7.5.3 Block the rotation of the roller shaft while keeping the slats rolled on it.
- 7.5.4 Disconnect all the motor cable wires so as to slide it completely towards the roller shaft and remove the locking screw present in the white Technyl bearing.
- 7.5.5 Manually accompany the unrolling of the cover, making sure that the motor cable does not get entangled.
- 7.5.6 Lock the safety mechanisms.
When commissioning the roller, a new adjustment of the motor limit switches will be needed.

8. Checks

Check the following points relating to the NF P 90-308 standard and check that the cover operates correctly:

- When turning the key switch for the cover, the entire pool is visible and check that there are no bathers in the pool when closing the cover. The unrolling operation stops when the key is released. The key can be removed from the control box.
- The cover rolls and unrolls correctly.
- The safety mechanisms are easily handled for the recommended water levels and are sufficient (number and position). Check that they are locked on completion of the installation.
- The gaps along the length between the slats of the apron and the pool wall are less than 7 cm and the apron does not rub "abnormally" against the wall.
- The space between the bottom of the bench (beam) and the water is less than 15 cm on the swimming pool side.
- The space between the bottom of the bench (beam) and the pool deck is less than 10 cm on the rear pool deck side.
- The voltage powering the cover is less than 30 V DC.
- The limit switches are operational.
- The site is cleaned after installation of the cover and the packaging and waste is removed.
- "Waste Electric and Electronic Equipment" (WEEE) is the subject of specific collection. It should not be disposed of with your unsorted household waste.

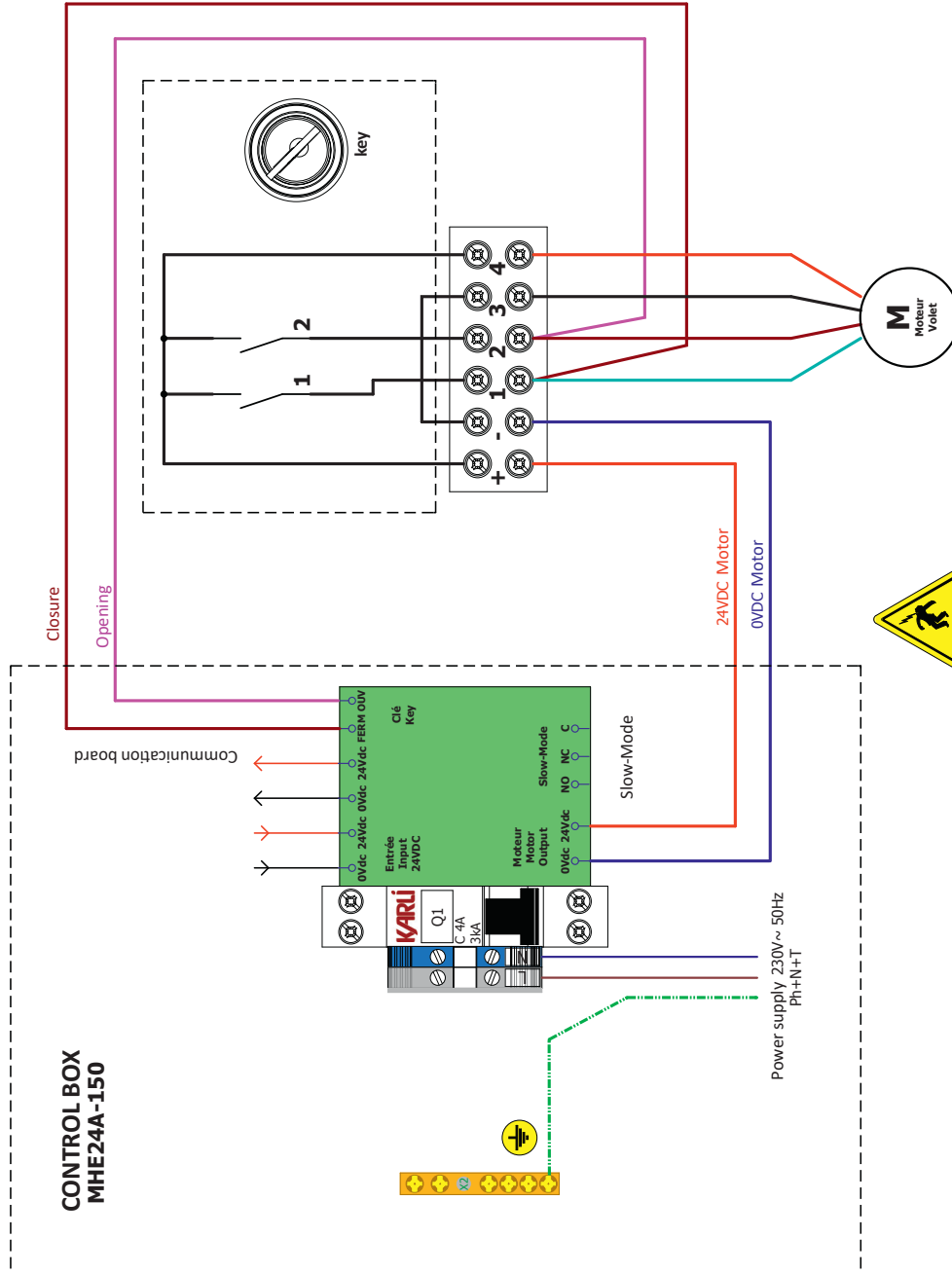


9. Reception of the cover by the end user

- The installer explains the operation of the ABRIBLUE cover to the end user and informs him/her of the safety, usage, upkeep and winterisation advice.
- They give them the cover instructions: "Installation instructions" and "Safety instructions and user guide for the automatic cover".
- They demonstrate the use of the cover and explain its functional limits.
- The installer and end user fill in and sign the guarantee form attesting to the compliance of the installation, the reception of the documents for the cover and the information given to the end user featured in the cover safety instructions.

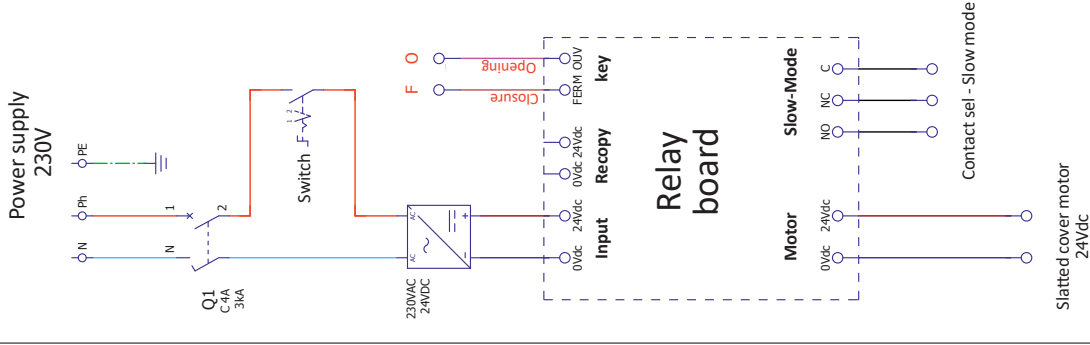
10. Appendix

CONNECTION INSTRUCTIONS



Installation and safety instructions:

The box installation should be carried out by a qualified electrician and comply with the applicable installation standard. Contact a professional for information. Live electric box, cut off the power before any work on it!



MHE24A-150
Réf: KAEL156

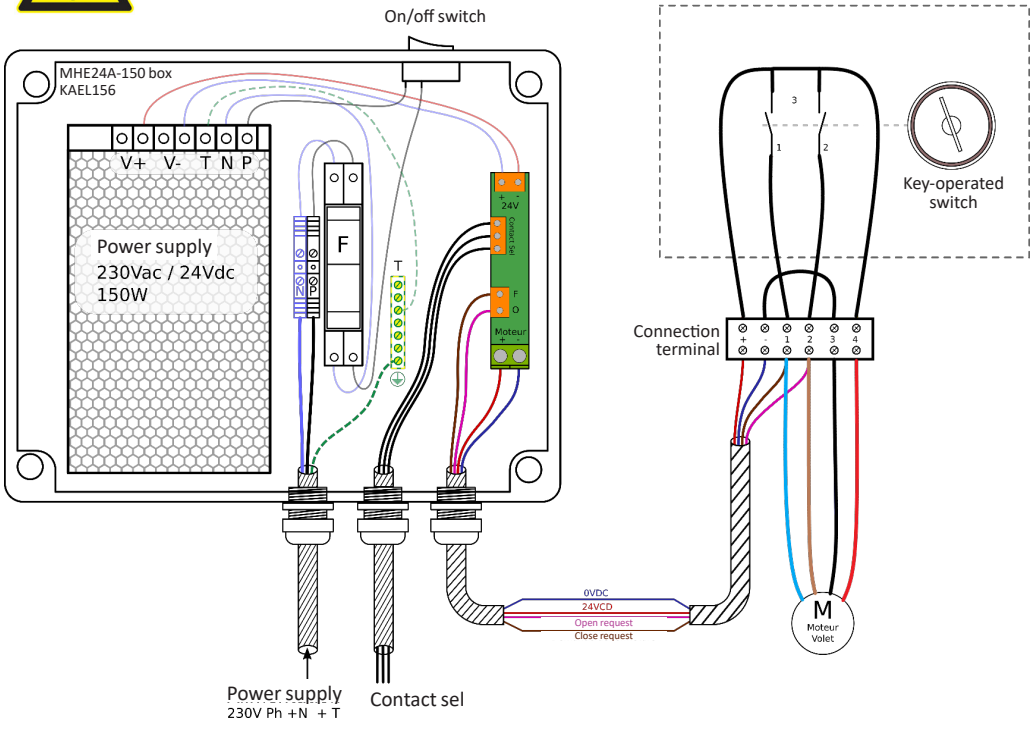
03/11/2020

MHE24A-150 instructions
Ref.: KAEL156

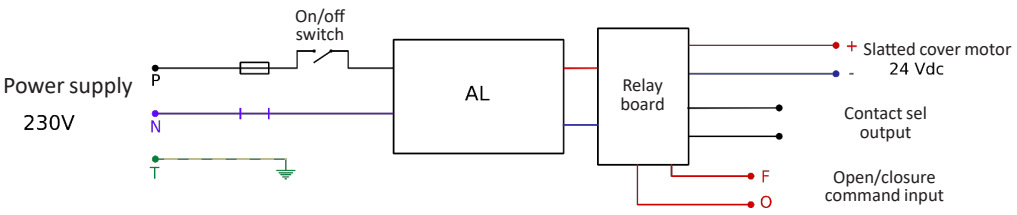
Connection instructions

Installation and safety instructions:
The electric box installation should be carried out by a qualified electrician and comply with the applicable installation standard which is NF C15-100 in France..

Live electric box, cut off the power before any work on it.



Wiring diagram

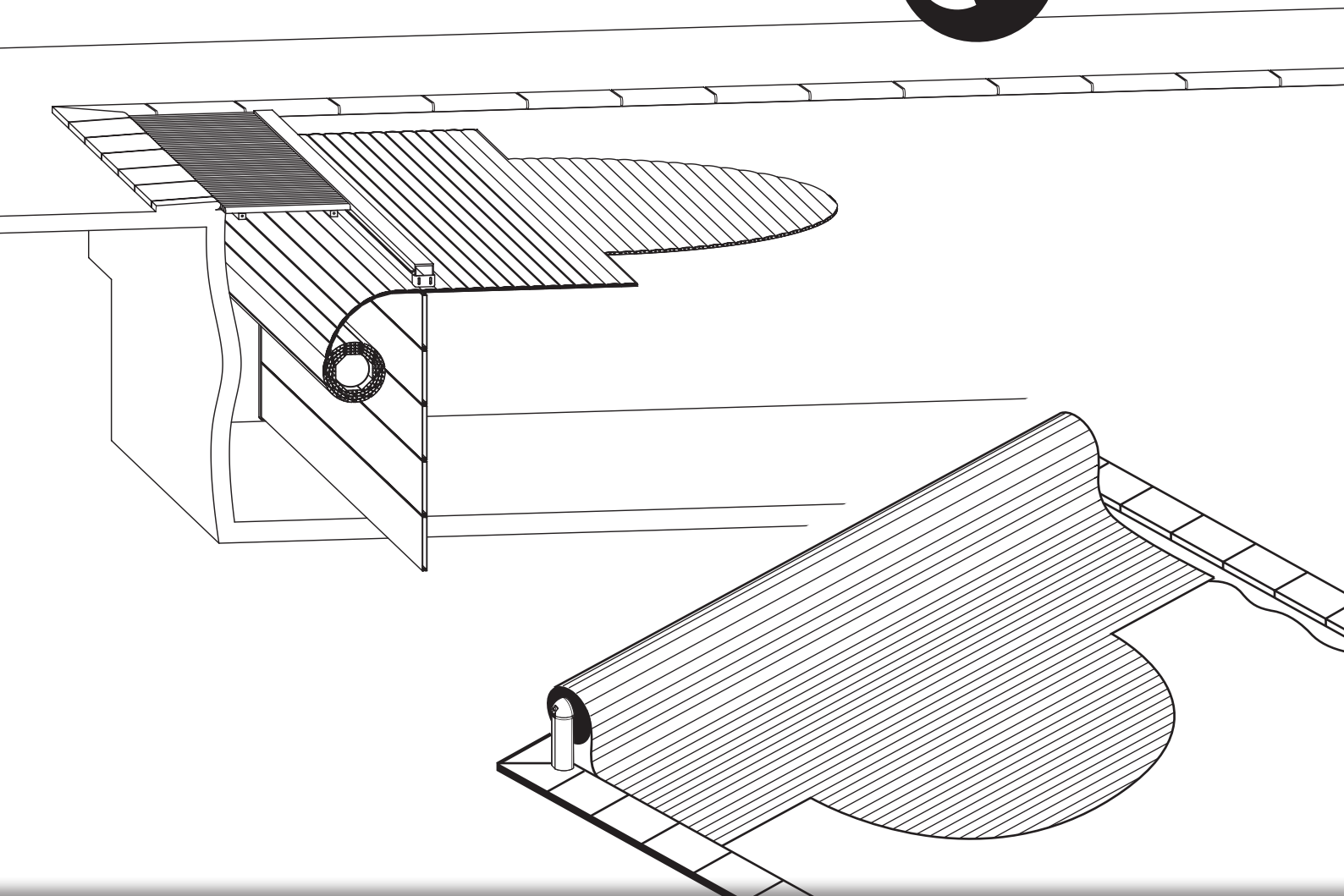
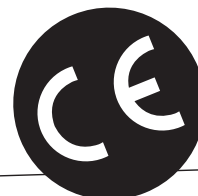


Product: BANC Classic
 Company: AS POOL
 Address: ZAC de la Rouvelière
 F-72700 SPAY- LE MANS
 Phone: +33 (0)811 901 331
 Fax: +33 (0)243 479 850
 contact@abriblue.com
 www.abriblue.com

SLATTED COVERS

Safety instructions and user guide for the automatic pool cover

Please read carefully and keep available for later use
01/2022 Version



CONTENTS

- 1. Safety Advice..... 2
- 2. Slatted cover presentation..... 3
- 3. Advice for use..... 5
- 4. Upkeep advice 6
- 5. Maintenance advice..... 7
- 6. Winterisation advice..... 8
- 7. Guarantee..... 8

Compliance certificates

The image displays four identical compliance certificates from LNE. Each certificate is titled 'ATTESTATION DE CONFORMITE' and specifies technical details for a pool cover. The certificates are for different cover types: 'Volet', 'Volet avec habillage', 'Immergé', and 'Immergé'. Each certificate includes a table of specifications and a signature from Bruno FAUVEL, dated 15 December 2016.

1. Safety Advice

WARNING:
The pool can constitute a serious danger to your children. Drowning happens very quickly. Children close to a pool require constant monitoring and active supervision even if they can swim. The physical presence of a responsible adult is indispensable when the pool is open.

Learn the actions that save lives.

Memorise the emergency service phone numbers and display them near the pool:

Fire Brigade: 112
Ambulance: 15
Poison Centre: Write down the No.:

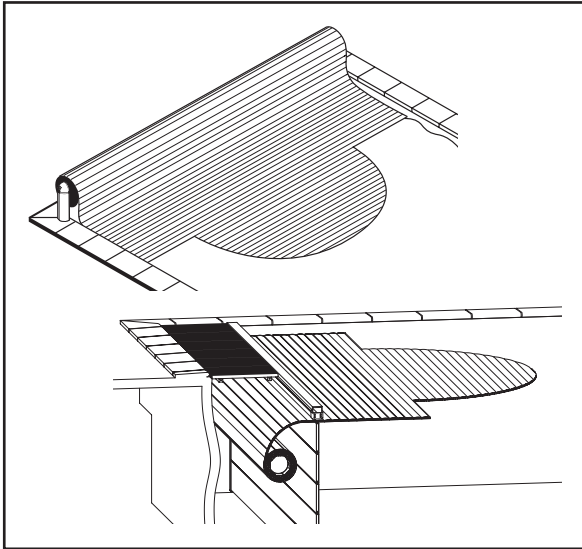
- This cover is not a substitute for common sense or personal liability. Its aim is not to be a substitute for the vigilance of parents and/or responsible adults, which remains the essential factor in the protection of young children.
- Be aware that safety is only assured with a closed, locked cover which is correctly installed in compliance with the manufacturer's instructions.
- The cover must be systematically unrolled and locked during absences, however short, from the home.

- Check that there are no bathers or foreign bodies in the pool before activating the cover.
- Keep the tools needed to activate the covers out of the reach of children.
- Only a responsible adult should undertake to manoeuvre the Cover.
- It is prohibited to climb onto, walk on or jump on a safety cover.
- Take all necessary measures to prevent access to the pool by young children, until the cover is repaired, or when a malfunction prevents the closure of the cover to secure the pool, or if the pool equipment is temporarily unavailable.
- Comply with the water levels defined by the manufacturer.

2. Slatted cover presentation

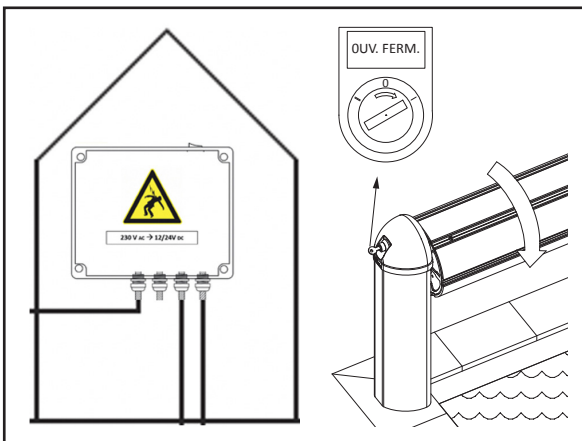
2.1 Automatic pool safety cover description

The automatic safety cover is composed of a floating slat cover that unrolls and rolls around a motorised roller shaft (above ground or immersed) that covers the pool surface to prevent or authorise bathing. Closure and opening takes about 3 minutes.



They are manufactured in compliance with the NFP90-308 standard that imposes production requirements to protect children from drowning (especially protection from electric, entrapment and ducking risks).

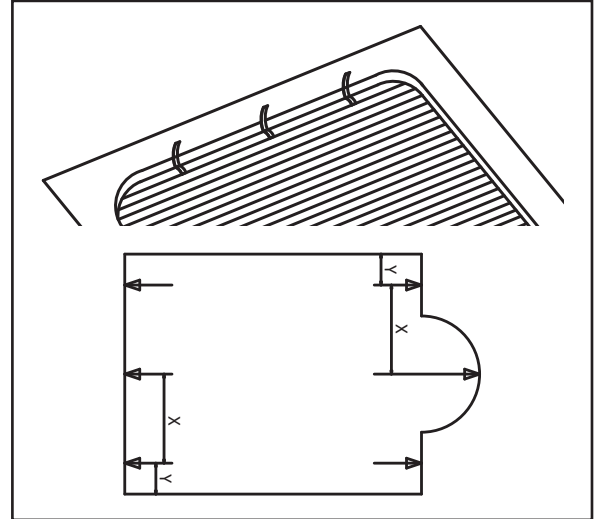
The unrolling and rolling shaft rotation uses a 12V or 24V DC drive gear motor powered by a 230V AC/24V DC (or 230V AC / 12V DC) electric box located in the technical space. Rotation speed is about 5 rpm. The sound level generated by the automatic safety cover when running is > 65 dB.



The cover is controlled using a control that is locked using a key or an access code placed in the immediate pool vicinity.

Casing can cover the roller for a more aesthetic look or to isolate the bathing area.

"Safety" systems are located at the ends of the slatted cover to fix it to the pool when it is fully unrolled over the pool to prevent access to the water.



2.2 Normal automatic pool cover use and contra-indications

2.2.1 Normal automatic pool cover use

See table on page 4

2.2.2 Automatic pool cover use contra-indications

Do not attempt to roll in the cover without having unlocked the fastening systems.

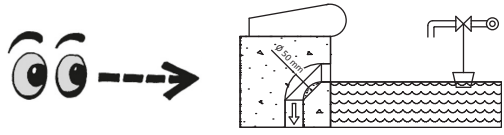

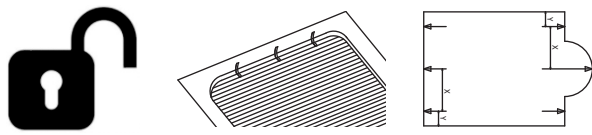

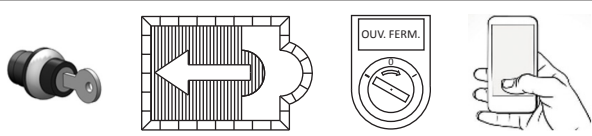
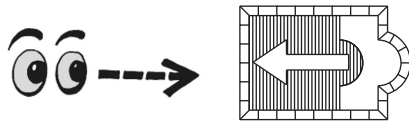



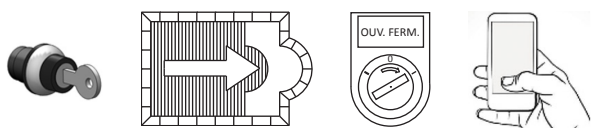
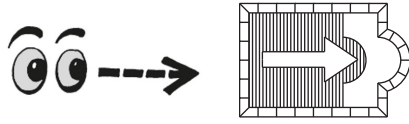
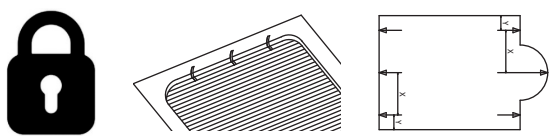

Do not roll in the cover if there are objects or people on the cover.

Do not activate cover closure if there are floating objects or people in the pool.

Do not touch the roller during rotation.

Do not stop the cover in an intermediate position during the rolling or unrolling phase

Do not leave the key on the control station. Do not disclose the phone locking key or eliminate the presence of the code.

1	Check that the pool water height is compliant with its operating level.	
2	Remove all floating objects from the pool or objects on the cover.	
3	ROLLING IN THE COVER: Before uncovering the pool, unlock the pool fastening systems.	
4	Use the control key or enter the remote control code.	
5	Insert the key into the barrel and activate the "Open" direction or press the "Open" key until the movement is complete.	
6	Keep a permanent view over the cover and the pool while it is moving. Make sure to keep people away from the roller.	
7	Keep the control key or the remote control out of the reach of children.	
8	UNROLLING THE COVER: Before covering the pool, make sure there are no bathers in the pool.	
9	Use the control key or enter the remote control code.	
10	Insert the key into the barrel and activate the "Close" direction or press the "Close" key until the movement is complete.	
11	Keep a permanent view over the cover and the pool while it is moving. Make sure to keep people away from the roller.	
12	After covering the pool, fasten all the cover safety systems on the pool.	
13	Keep the control key or the remote control out of the reach of children.	

3. Advice for use

- Always check that the pool water level remains constant and in compliance with the manufacturer's recommendations (-12 cm as a standard) before using the cover in order to avoid jamming the slats in the trench (against the beam or the partition wall), or to prevent them from rubbing against the pool copings, or to avoid the slats being warped by excess or insufficient water levels. Make sure that the overflow and the water level regulator are operational so that the skimmers do not suck in air if the water level is too low.
- Remove all floating objects that could hinder the correct operation of the ABRIBLUE cover during its closure, and lock the access to the pool using the blocking straps.
- Do not forget to unlock the safety mechanisms before opening the pool cover as failure to do so may damage the pool cover.
- Always keep the pool in full view during the opening and closing operations. It may be necessary to accompany the cover manually during rolling or unrolling operations in order to position it correctly if there is a strong side wind, a free form pool, or a pool with a specific configuration.
- It is imperative not to halt the cover in an intermediate position, this can cause the risk of jamming a bather's body at the level of the cover casing, if a bather uses the pool. The person carrying out the action must make sure there are no bathers in the pool before starting.
- Check that the hose or power supply cable of the pool cleaner does not get tangled in the cover; this could jam the operation of the roller and damage the PVC slats.
- Check that unrolling and rolling runs correctly over the first few metres (the slats roll effortlessly, there is no jamming on the shaft with the top "bulging" towards the outside of the roll), and if necessary, stop the action immediately in order to intervene on the cause of the malfunction.
- The rotational speed of the shaft is not constant due to the rolling/unrolling of each new layer of slats which unbalances the roller. Adapt the wheel's rotational speed on the manual model in order to avoid the harder spots by handling the wheel with both hands.
- It is imperative during rolling or unrolling operations, not to release the control until the limit switches have been reached (especially on the BANCS) in order to correctly position the slats on the roller when rolling in is complete, or on the water when unrolling is complete.
- On the model without limit switches, make sure not to roll-in the slats too much in order to prevent them from falling to the rear and breaking.
- Do not operate the cover more than 15 consecutive minutes.
- It is prohibited to manoeuvre the cover if there is a load on the duckboard walkway of a submerged cover, this might cause the cover to scrape the beam.
- Prohibit an overload on the duckboard walkway for a submerged cover due to the physical limits of the beam and the fixtures. The duckboard walkway is supported by the pool edge and the beam, and is designed to support a maximum load of 400 kg over its complete length (duckboard included) and 150 kg per linear metre.
- Do not walk or jump on the covering of the BANC roller in order to avoid deforming it.
- It is essential, for safety reasons, to remove the key from the control box or the manual wheel, or to close the Aero application once the opening or closure actions are complete.
- Programme the filtering system to start as soon as the "solar" slats are in sunlight. During very sunny periods with the cover closed, the water temperature can reach 30° or more and can damage the slats.
- It is strongly recommended not to empty the pool without the authorisation of your installer.
- If the cover is fitted with a WING System[®], take care not to operate the cover without having folded the WING System[®] onto the cover. Operating the cover with the WING System[®] deployed can cause major damage to the cover and the pool.
- If the cover is fitted with a SURF System (mobile roller), two people are required to move the roller. Make sure the roller is correctly positioned on the pool before any automatic action of the slats.
- In the case of an emergency operation, a person walking on the cover will have his/her feet under the water.
- Limit operating the slatted cover when the temperature is below 5°C and do not handle the cover below 0°C when it is locked in ice. Avoid all impacts and mechanical contacts on the slats when the temperature is below 0 °C.
- When the cover is installed on a sheltered pool, make sure that the air temperature is no higher than 40 °C. Make sure that the surrounding air is ventilated in order to avoid all distortions and deteriorations of the parts (PVC slats, bench panels, duckboards, etc.).
- Regularly remove any debris from the slat cover. They will thus prevent rolling it in with an accumulation of leaves or debris that could cause brownish stains to appear on the slats. This natural phenomenon is not covered by our guarantee.

4. Upkeep advice

The maintenance of the ABRIBLUE automatic cover is at the expense and under the responsibility of the user.

- The use of an automatic cover maintains the quality of the water and reduces the amounts of treatment products needed.
- Maintain a good water balance in order to avoid damaging your automatic cover.

Water characteristics	Minimum recommended value	Maximum recommended value
pH	7.2	7.6
Chlorine	0.7 ppm	1.2 ppm
Bromine	1.5 ppm	2.5 ppm
TAC	80 ppm	120 ppm
TH	100 ppm	300 ppm
Stabiliser	10 ppm	40 ppm
Temperature	1°C	30°C

- Prolonged or repeated overdoses of products are damaging to the PVC slats. An acid pH below 7 can corrode metal parts. A lack of treatment causes the proliferation of algae and favours the putrefaction process which can cause the irreparable appearance of brown stains on the PVC slats.
- Check the operation of the electrolyser when the pool is closed for long periods. This type of device cannot be fitted with a production stop and can cause irremediable damage to submerged mechanisms (corrosion) in the event of a high concentration of stagnant chlorinated products in contact with the PVC slats. To correct this situation, occasionally air the pool water by opening the cover taking care to guard the access to the pool while it is open.
- During a superchlorination operation, roll up the cover, start the filtering system and prevent access to the pool by children under 5 years old.
- Clean your cover at least twice a year using a high pressure cleaner or a sponge using a descaling product and/or a degreasing product (water line gel type). Do not use a solvent or abrasive product as these may damage the PVC slats. Do not spray water onto the shaft as this might damage the motor.
- During the summer period, clean the slat storage pit once per month using a manual vacuum brush. Regularly remove any debris from the cover.
- Check the correct operation of the water level regulation (overflow not clogged, automatic filling correctly set).
- Make sure that the area where the cover motor is located is fitted with a drain preventing the motor from being submerged at all times (in case of flooding).
- Check that the slats are not subjected to temperature differences greater than 15° between the outside air and the water in order to prevent them from warping (case of a highly heated pool in a cold environment: mountain for example).
- When using a cover installation under a shelter, make sure the shelter is aired and limit its temperature to 40 °C maximum and prevent the slats and bench panels from overheating.
- Protect wood elements such as duckboards and bench panels. Wood, whatever its origins, is subjected to the aggression of the environment on a daily basis: walking, bad weather, dampness or dry weather. It therefore needs a minimum of maintenance. Prefer a wood saturator. For it to be efficient we recommend that you apply it using a brush until saturation in order to stabilise it and avoid tannins from being rejected. The coats must be applied when the previous coat is still damp, without any drying time between them (2 or 3 coats depending on the porosity). Avoid wax or silicone based products, they are very quickly decomposed by UVs and washed away in bad weather. Depending on climatic conditions, exotic woods become silvery grey over time. Avoid varnishes, they form unstable films which are subject to flaking. We recommend the products Durieu DESKS OLJE D1 (mentioned in the "Techniques PISCINES" review) for the maintenance of exotic woods. If you have tannin stains on your pool copings or protective cover, we recommend the application of concentrated bleach using a brush followed by copious rinsing.
- Do not cover the opaque slats with a hermetic tarpaulin, this would risk creating a major heating effect (greenhouse effect) which could cause the slats to warp permanently.
- Check the good condition, tightness and correct fixture of the safety loops.
- Check that the straps linking the slats to the shaft are always tightly in place and evenly distributed.
- Check the ends of the slats, check that they are aligned and that the caps and wings are not broken. A slat not aligned with the rest of the cover could jam when the cover is moving and cause major damage.

5. Maintenance advice

In the event of a malfunction or a repair preventing the closure and the securing of the pool, take all necessary measures to prevent the access to the pool of children under 5 years old.

- AS POOL only distributes its technical products via a network of pool professionals which carries out the installation and follow-up depending on the specificities of the pool. AS POOL does not communicate directly with pool owners.
- Have the automatic cover serviced by a swimming pool professional (we recommend your swimming pool installer whose details are on the cover of this manual), who will be able to contact our technical assistance department. All spare parts must be original spare parts in order to maintain our guarantee and the cover's compliance with the standard.
- Each time it is commissioned, the cover should be inspected to identify deteriorations that may compromise its correct operation. A professional will diagnose whether some slats need to be replaced.
- Check that the upkeep advice is applied and that the user carries out his checks regularly. Otherwise go over them item by item.
- Check that the coupling nuts are tightened, that the stop ring and all the screws are present on the axis.
- Check that the electric connections are tight and operate correctly. Make sure there is no humidity or oxidation on the cover's electric contacts (terminals in the box, box connections, contacts of the key switch).
- Check the condition and the ageing of the locking mechanisms and the bungee cords used to retain the PVC slats. Check that the straps are tight on the axis.
- Check the correct operation of the filtering system, the overflow and the water level regulator.
- Carry out several rolling and unrolling tests to make sure the cover is operational and especially to check that the end of run stops are correctly placed.
- When the system does not respond, your installer can secure the pool by uncoupling the cover roller (except for the ZITA model) and manually unrolling the cover onto the pool before locking the safety mechanisms on the pool cover. In this situation the pool cannot be used until the cover is repaired.
- Handling the uncoupling of the roller mechanism should be read thoroughly before operation, with the installation instructions.
 - 1** Switch off the box.
 - 2** Block the roller rotation while keeping the slats rolled around it.

3 For the OPEN range, remove the cover or casing or PVC cap on the motor side. Disconnect wires 1, 2, 3, and 4 of the motor cable in order to slide it completely towards the shaft and remove the unlocking ring.

4 For the BANC, remove the top cover and unscrew the butterfly screw from the housing inside the BANC Solar. Disconnect wires 1, 2, 3, and 4 of the motor cable in order to slide it completely towards the shaft and remove the unlocking ring.

5 For the IMM'Box and the DIVER with the motor in a dry pit: remove the key between the shaft and the motor casing or remove the motor.

6 For the IMMAX, IMMEO, DIVER with axial motor: in the motor connection box located close to the pool, disconnect the limit switch wires and the power wires from the motor cable in order to slide the motor cable completely towards the roller shaft. Remove the pin blocker to access and lift the unlocking pin.

7 Manually accompany the unrolling of the cover, making sure that the motor cable does not jam.

8 Lock the safety mechanisms.

When commissioning the roller, a new adjustment of the motor end of run stops will be needed.

9 "Waste Electric and Electronic Equipment" (WEEE) is the subject of specific collection. It should not be disposed of with your unsorted household waste.



6. Winterisation advice

Winterisation advice is described below, however, it is the installer's responsibility to recommend a solution depending on the availability of the customer and the geographical location of the swimming pool.

- Carry out active winterisation by operating the circulation of the water and filtering during the coldest moments of the day (An anti-freeze thermostat can trigger filtering as soon as the air temperature falls below 0°).
- Keep the water level normal, excess water will drain from the overflow.
- Clean the slats unrolled over the pool using a high-pressure cleaner and then sweep the pool and the storage trench. Treat the water with winterisation products.
- Keep your cover unrolled over the body of water and, if it is surrounded by a lot of vegetation, fit a netting, permeable cover over it in order to avoid the decay of leaves and other plant debris on the PVC slats. Do not store the cover rolled with an accumulation of leaves or debris which would trigger an irremediable decaying process causing encrusted stains to form on the PVC slats. This physical phenomenon is not covered by the guarantee for the slats.
- Protect the skimmers and piping exposed to freezing.
- Protect the motors from flooding.
- Cut the power supply to the electric box.
- Do not operate the cover or touch the slats when they are ice bound. If there is a risk of the pool icing over, have the submerged shaft and the roller motor removed.
- For models using solar power, the batteries can remain in place if the solar panel is not covered and continues its charging function. If the panel is covered and can no longer charge using sunlight, the batteries must be disconnected and stored in a dry place. When putting back into service, let the batteries charge (a half day of sunlight) before operating the cover.

7. Guarantee

Our one year guarantee only covers the replacement or the repair of a defective part as well as all defects or faults in the context of the installation, use, maintenance and winterisation in compliance with our instructions.

It only comes into effect on the shipping date if the reseller or installer returns us the defective parts postage paid for analysis.

The guarantee covers all of the electrical equipment providing that the wiring was carried out in accordance with our instructions and in compliance with the standard C 15.100.

The guarantee does not cover the immersion of motors not designed for this purpose and the consequences of lightning.

Apart from the general one-year guarantee, we grant the following guarantees:

- sending the guarantee form duly completed within 8 days of the slatted cover's installation, gives right to an extension of the geared motor guarantee from 1 to 3 years free of charge
- the roller mechanics: 3 years (1)
- the slatted cover PVC slats: 3 year (2)
- solar panel: 10 ans
- batteries: 1 year.

(1) The guarantee covers the resistance of the materials used with the exception of corrosion and deterioration of certain materials due to the use of any device producing an electro-chemical or electro-physical reaction, which generally accelerates the corrosion of metals.

(2) The guarantee covers the buoyancy, watertightness and articulation of the slats. The guarantee does not cover brownish stains and discolouration of the slats. Distortion of the blue translucent solar slats caused by use in disregard of our technical recommendations is also excluded. Damage caused by hail is excluded. All modifications to a slat voids the guarantee on the apron.

All labour costs for removal, assembly, travel, water supply, products, damages and interests as well as any claims for compensation for any cause whatsoever are excluded.

Guarantee

The official guarantee is in the slatted cover's container with the commissioning documents. This guarantee must be returned to the address below within eight days of the commissioning of the product.

User details

Name:

Address:

Postcode/Town

--	--	--	--	--	--

Installer details

Company:

Address:

Postcode/Town

--	--	--	--	--	--

Installed model				
Serial N° _____ / _____ / _____				
Slatted cover type			Slatted cover slat colour	
<input type="checkbox"/> MANU	<input type="checkbox"/> BANC SURF System	<input type="checkbox"/> ZITA	<input type="checkbox"/> White PVC	<input type="checkbox"/> Clear polycarbonate
<input type="checkbox"/> OPEN Néo	<input type="checkbox"/> BANC Solar Energy		<input type="checkbox"/> Sable PVC	<input type="checkbox"/> Blue-tinted translucent polycarbonate
<input type="checkbox"/> OPEN Classic	<input type="checkbox"/> BANC D.sign		<input type="checkbox"/> Blue PVC	<input type="checkbox"/> Blue-tinted two-ply polycarbonate
<input type="checkbox"/> OPEN AERO	<input type="checkbox"/> IMM'Box		<input type="checkbox"/> Light grey PVC	<input type="checkbox"/> Mother of pearl tinted two-ply polycarbonate
<input type="checkbox"/> OPEN SURF System	<input type="checkbox"/> IMM'Ax		<input type="checkbox"/> Galet grey PVC	<input type="checkbox"/> Clear/black two-ply polycarbonate
<input type="checkbox"/> OPEN Solar Energy	<input type="checkbox"/> DIVER		<input type="checkbox"/> Blue-tinted two-ply PVC	<input type="checkbox"/> Black fumée polycarbonate
<input type="checkbox"/> BANC Classic				

MANDATORY INFORMATION FOR VALIDATION OF THE GUARANTEE

Checks carried out on commissioning by the installer

Checks carried out by:

	Yes	No
Installation carried out in compliance with the standards in force according to the manufacturer's instructions:	<input type="checkbox"/>	<input type="checkbox"/>
12 or 24 volts (slatted covers):	<input type="checkbox"/>	<input type="checkbox"/>
Presence of an automatic water level regulator (slatted cover):	<input type="checkbox"/>	<input type="checkbox"/>
Presence of an independent overflow:	<input type="checkbox"/>	<input type="checkbox"/>
Rolling operation (slatted cover):	<input type="checkbox"/>	<input type="checkbox"/>
Unrolling operation (slatted cover):	<input type="checkbox"/>	<input type="checkbox"/>
Locking of the pool cover (slatted cover):	<input type="checkbox"/>	<input type="checkbox"/>
Installation without reserves:	<input type="checkbox"/>	<input type="checkbox"/>
Commissioning date:		
Safety, usage, upkeep and maintenance advice explained and sent to the responsible user:	<input type="checkbox"/>	<input type="checkbox"/>

Signature and stamp (mandatory)

(write the words "read and approved")

Comments/Observations:

.....

.....

.....

