

Certikin Underwater Swimming Pool Light Installation Instructions

PU9 range



This document refers to light models:

Concrete Pools: PU9CLTW; PU9CLTC; PU9CLTU; PU9SCC.

Liner Pools: PU9LLTW; PU9LLTC; PU9LLTU; PU9SCL.

IMPORTANT:

**READ CAREFULLY BEFORE USE.
KEEP FOR FUTURE REFERENCE.**



 **WARNING** This equipment must be installed and serviced by qualified persons only. Improper installation and servicing can create electrical hazards which could result in property damage, serious injury or death. Improper installation and servicing will void the warranty.

 **WARNING** A qualified electrician must carry out all electrical wiring in accordance with local electrical regulations.



IMPORTANT:

Never switch the light on when the pool is empty. If this light is being used in a commercial installation it is advisable to use an impact resistant lens cover (Certikin item PU15C)

This product is only for use when immersed in water.



For operation only with a Safety Isolating Transformer.

Rated Voltage: 12V

Transformer output 12.8V-15.3V – variable to cable length.

Transformer maximum power rating 300VA.

For replacement bulbs : See page 9

Index of Protection Rating: IP68

IMPORTANT:

The rated maximum immersion depth of this product is 2000mm.



This product is not dimmable.



Do not stare directly at the light.

Installation:

Before commencing physical installation, remove the light guts from the niche.

Remove the front cover plate by releasing the two front cover screws.

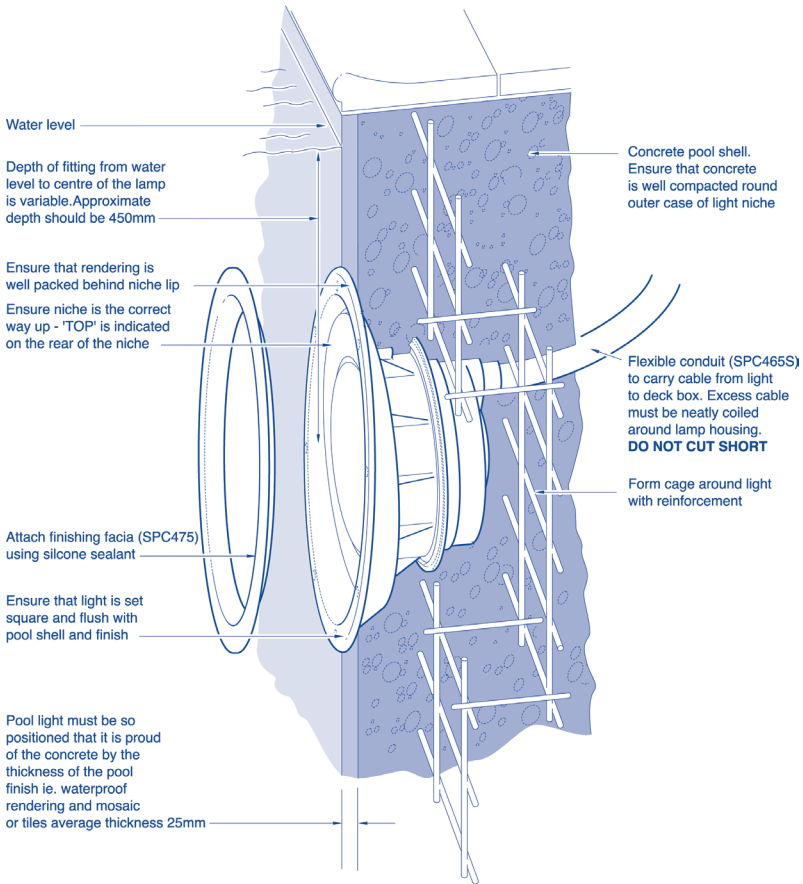
Lift the light guts and all of the cable out of the niche and store safely, along with the front cover and screws, until the niche is fully installed into the pool wall.

Installation into a concrete / blockwork wall.

The following diagram shows a typical installation of the concrete underwater light into a swimming pool structure.

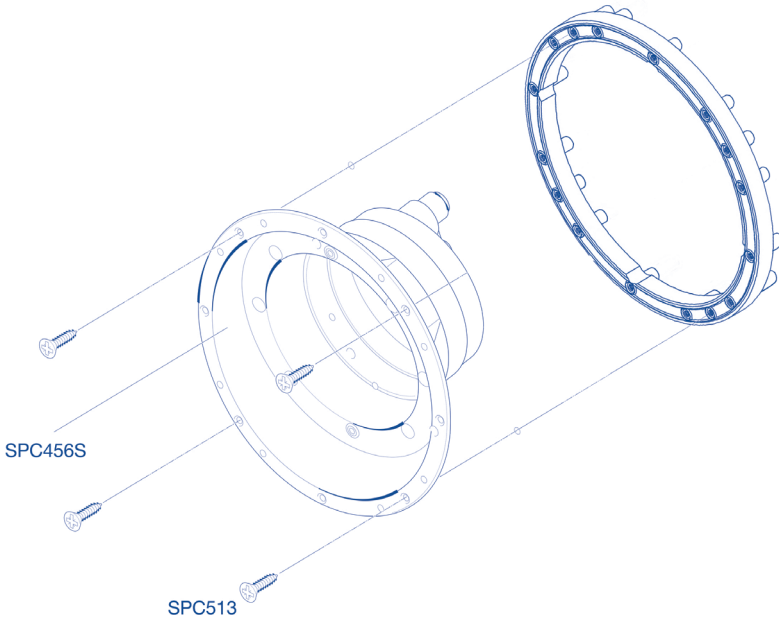
IMPORTANT! The rated maximum immersion depth of this product is 2000mm.

IMPORTANT! Ensure the niche is the correct way up – ‘top’ is indicated on the rear of the niche.



Installation into a concrete and liner or block and liner pool.

IMPORTANT! If the pool is to be a concrete and liner, or a block and liner pool, secure the rear clamp ring to the light niche using the four M5x25 screws as indicated below. This must be done **BEFORE** the niche is built into the wall.

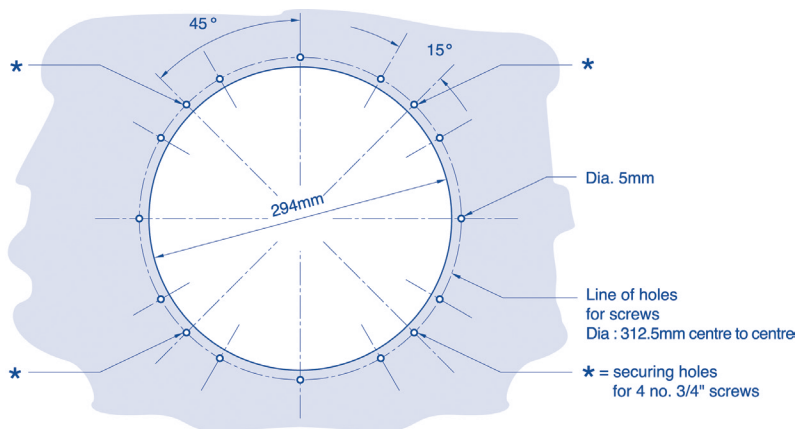


Installation into a panel and liner wall.

In order to install the light niche into the panel wall, an aperture of the dimensions on page 5 must be created at the desired depth.

With the hole cut, the front lip of the niche can be used as a template for the 16 No. 5mm holes. Ensure the niche is the correct way up – ‘top’ is indicated on the rear of the niche – when marking for the holes.

IMPORTANT! The rated maximum immersion depth of this product is 2000mm.

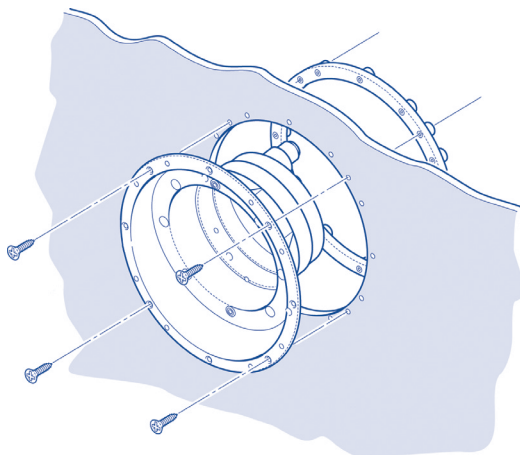


Pass the niche into the panel wall aperture from the pool side and line up the 16 holes in the niche lip with the 16 holes in the panel wall.

NOTE: Ensure the niche is the correct way up – ‘top’ is indicated on the rear of the niche.

Pass the rear clamp ring over the rear of the niche and bring it up to the back of the wall, forming a sandwich, i.e. niche lip – panel wall – back ring.

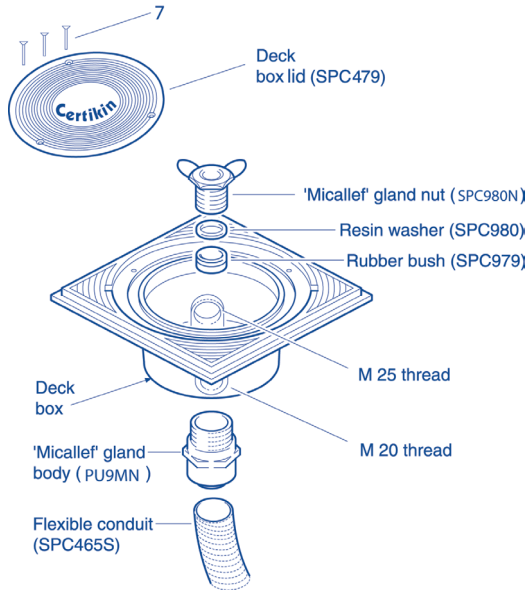
Secure all parts together using the four M5x25 screws as indicated below. Ensure these screws are fixed through the holes indicate with * on the aperture diagram above.



IMPORTANT! Complete the process below before beginning to install the liner.

Preparing for electrical connection - all light models and pool styles

Make ready a Certikin PU10N Deck Box (supplied separately) as below by using the connection components supplied with the light.



Screw the Micallef gland body up into the base of the deck box using silicone or mastic to seal the thread. Thread the remaining end of the flexible conduit into the gland. Place the black rubber bush and the resin washer into the threaded recess in the base of the deck box – loosely screw the winged gland nut into the recess on top of the washer.

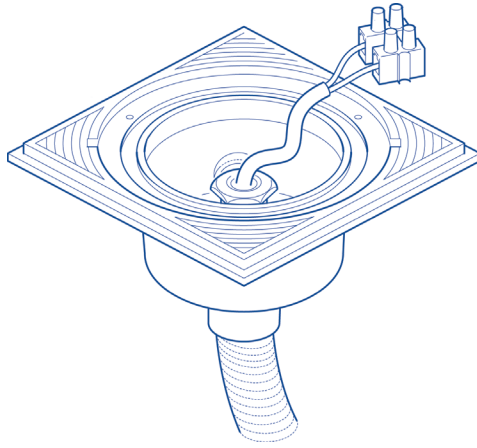
Select which side opening on the deck box is required for the connection to the transformer and seal the unwanted opening with one of the red threaded plugs provided. Use silicone or PTFE tape to seal the thread.

Insertion of the light guts

Uncoil/free up all of the cable from the rear of the light guts. Place the light guts near to the niche in a safe position.

Feed the light cable through the exit port in the rear of the niche until it is visible at the deck box.

DO NOT SHORTEN THE CABLE

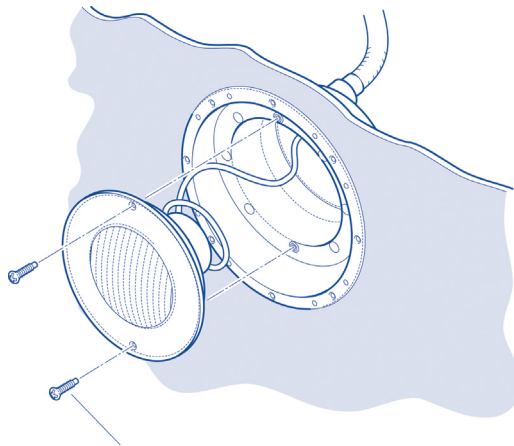


In the deck box tighten the winged gland nut on to the outer sheath of the cable – hand tight should be sufficient. Prepare the transformer connections by attaching the live and neutral cable cores into the terminal block provided.

DO NOT MAKE THE ELECTRICAL CONNECTION TO THE TRANSFORMER AT THIS STAGE

Pull the light cable back through the exit port in the niche until resistance is felt from the deck box connection. Tighten the glad at the back of the niche onto the outer sheath of the cable – hand tight should be sufficient.

Coil the remaining cable around the white lamp housing and place the light guts into the niche, securing with the 2 No M6 screws as shown below.



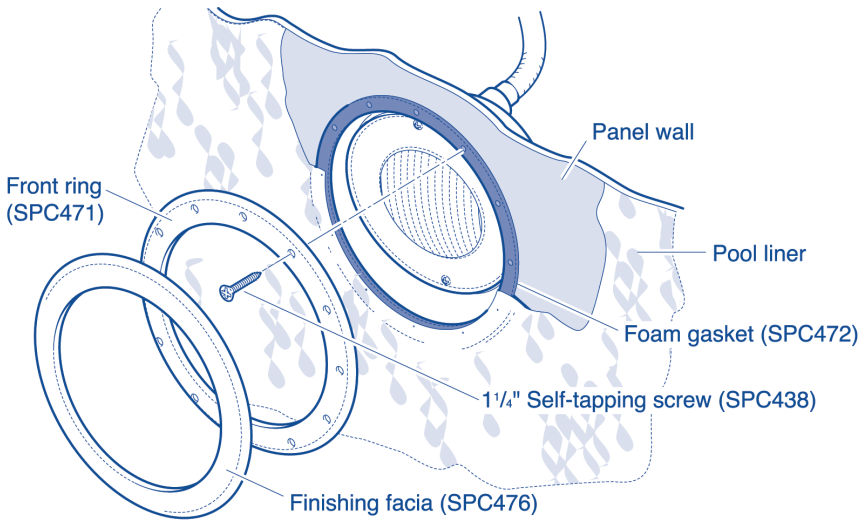
Liner Pools Only – Fitting The Liner

When ready to install the liner, apply the gasket to the front lip of the niche.

Install the liner as per the liner suppliers instructions, paying particular attention to how to correctly integrate the liner with pool fittings.

After the liner is in place, feel through the liner for the holes in the gasket/niche and offer up the front clamp ring to the niche ensuring all 12 holes are aligned. Using the 12 qty M5x45 screws provided, secure the front clamp ring to the niche through the pool liner.

Carefully cut the liner from the centre of the niche aperture to expose the light niche.



Electrical Connection:

⚠ WARNING This equipment must be installed and serviced by qualified persons only. Improper installation and servicing can create electrical hazards which could result in property damage, serious injury or death. Improper installation and servicing will void the warranty.

⚠ WARNING A qualified electrician must carry out all electrical wiring in accordance with local electrical regulations.

IMPORTANT! Never switch the light on when the pool is empty.

This product is only for use when immersed in water.

For operation only with a safety isolating transformer.

Refer to the instructions with the transformer for details of electrical connection.

Maintenance:

The light source contained in this luminaire shall only be replaced by the manufacturer or his service agent or a similar qualified person, such as a qualified swimming pool installer/technician

⚠ WARNING Always isolate the light from its power supply before any form of maintenance takes place.

To replace the light guts, refer to the instructions provided with the replacement light guts.

To replace the bulb, refer to the instructions provided with the replacement bulb.

When replacing the light guts or bulb, **ONLY** use Certikin specified light guts and Certikin specified PAR56 bulbs along with Certikin specified O-ring gaskets, as follows:

	Light Model	Bulb Type	Bulb Wattage	Colouring	Certikin SKU	Matching Gasket SKU	Replacement Light Guts 2.8m Cable See below by model:
Generic:	All PU9	LED	12W	White	PU8LED	Included with bulb	
Like for like replacements:	PU9CLTW PU9LLTV	LED	16W	White	PLQW080018	SPC469SN	PU93LTW
	PU9CLTC PU9LLTC	LED	27W	Colour Change	PLQC0800	SPC469SN	PU93LTC
	PU9CLTU PU9LLTU	LED	58W	Ultrabright White	PLQW0800U	SPC469SN	PU93LTU
	PU9SCC PU9SCL	LED	12W	Colour Change	PU8SC	SPC469SN	PU9S3

End Of Life Disposal:



Once expired, this product should not be disposed of via general waste, but through a regulated waste disposal and recycling centre – please consult your local authority for full advice.

Notes:

Notes:

Certikin International Ltd
Unit 4, Tungsten Park
Colletts Way
Witney
Oxfordshire
OX29 0AX

✉ info@certikin.co.uk

www.certikin.co.uk

CERT22 10/23

Certikin
FLUIDRA