

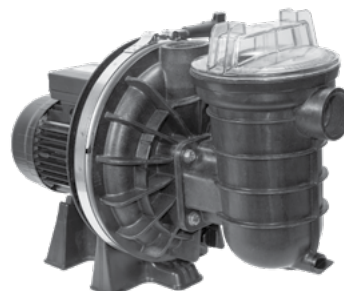


SINGLE SPEED PUMPS

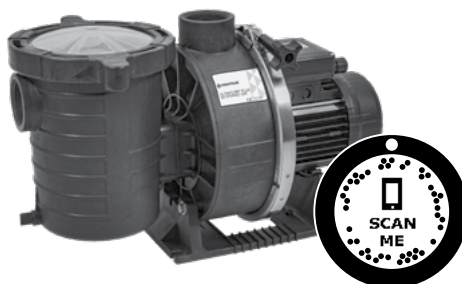
LA STA-RITE® HD



LA STA-RITE®



ULTRAFLOW®



WHISPERFLO®



SUPERFLO®



PANTERA™



INSTALLATION AND USER'S GUIDE

IMPORTANT SAFETY INSTRUCTIONS

READ AND FOLLOW ALL INSTRUCTIONS / SAVE THESE INSTRUCTIONS

P-INSB-PENT2

English

Français

Español

Deutsch

Italiano

Dutch

SINGLE SPEED PUMPS

Pentair thanks you for placing your trust in the company and purchasing one of our single speed pumps. Please carefully read this user manual to fully benefit from all of the functions of these products. Store it carefully so that it can be consulted at any time.



Declaration of conformity

Directives – Harmonised standards

Pentair International Sarl – Avenue de Sévelin 20 – 1004 Lausanne – Switzerland

We declare, under our own responsibility, that the products supplied with this manual meet the directives:

Directive	Harmonised standard
2014/35/UE Low Voltage	EN 60335-1 ; EN 60335-2-41
2014/30/UE (EMC)	EN 61000-6-1 ; EN 61000-6-3 ; EN 55014-1 ; EN 55014-2
2019/125/EC eco-design regulation 640/2009	EN 60034-30
2011/65/UE (RoHS)	EN 50581



Authorised person for technical documentation

Pentair International S.à.r.l

Avenue de Sévelin 20

1004 Lausanne – Switzerland

Lausanne, 2020 06 10

Jacques Van Bouwel

Engineering Mgr, Aquatic Systems Europe

Product specifications:



Waste treatment of electronic devices at the end of their service life:

The crossed-out bin placed on the main parts which make up the product indicates that it must not be disposed of with household waste. It must be returned to an appropriate collection point for electronic device recycling (information available from the local household waste collection service). This product contains potentially dangerous substances which may have adverse effects on the environment and human health.

- The document is subject to change without notice

Trademarks and disclaimers: Pantera™ UltraFlow®, SuperFlo®, Sta-Rite® or WhisperFlo® and Pentair are trademarks and/or registered trademarks of Pentair and/or its allied companies. Unless indicated otherwise, names and brands of others that may be used in this document are not used to indicate an affiliation or endorsement between the owners of these names and brands and Pentair. Those names and brands may be the trademarks or the registered trademarks of these parties, or others.

CUSTOMER SERVICE / TECHNICAL SUPPORT

If you have questions about ordering Pentair Aquatic Systems, ("Pentair") replacement parts, and pool products, please use the following contact information:

Customer Service

Customer service PISA, ITALY (8:30 AM to 4:30 PM CET)
 +39 050716166 / +39 050716169
 orders.pooleu@pentair.com
 poolemea@pentair.com
 www.pentairpooleurope.com

Technical Support

e-mail: techsupport.poolemea@pentair.com
 Hotline: +33 184280940

Table of contents

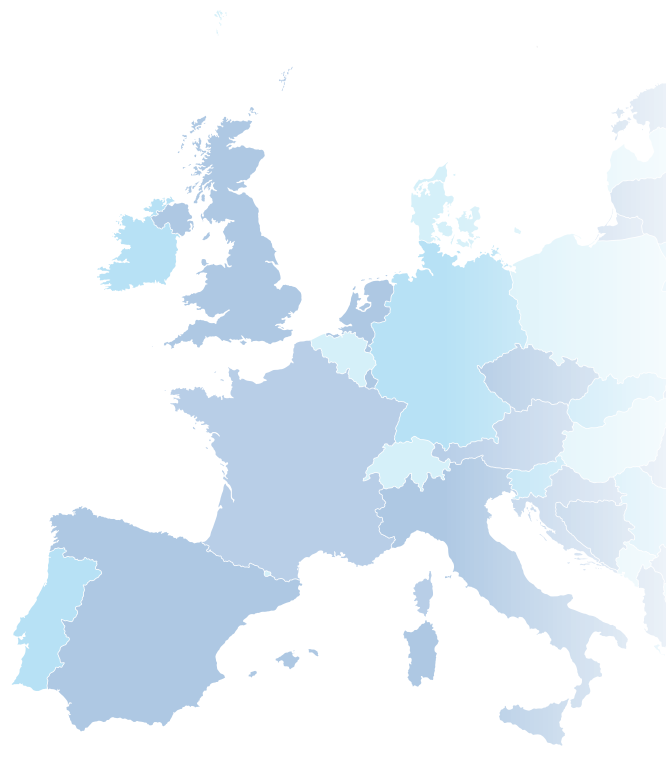
1. Important Pump Warning and Safety Instructions.....	04
2. Pump information.....	05
2.1 General information.....	05
2.2 Application.....	06
2.3 Installation.....	10
2.4 Start / Operation.....	15
2.5 Electrical connection.....	15
2.6 Servicing.....	16

ACADEMY TRAINING TOUR

Gain technical expertise with training from Pentair

Learn about the latest developments in automation systems, pumps, heaters, lighting, filtration, water features and chlorine generation. Our experienced instructors, detailed course materials and training aids will give you the real-world techniques and understanding to specify, install, troubleshoot and service today's most advanced pool equipment... profitably. You'll certainly end up with a wealth of know-how.

More info: techsupport.poolemea@pentair.com



IMPORTANT PUMP WARNING AND SAFETY INSTRUCTIONS



IMPORTANT NOTICE

This document is subject to change without notice.

Trademarks and disclaimers: Pantera™ UltraFlow®, WhisperFlo®, SuperFlo®, Sta-Rite® and Pentair are trademarks and/or registered trademarks of Pentair and/or its affiliated companies. Unless noted, names and brands of others that may be used in this document are not used to indicate an affiliation or endorsement between the proprietors of these names and brands and Pentair. Those names and brands may be the trademarks of those parties or others.

Attention installer: This guide contains important information about the installation, operation and safe use

of this product. This information should be given to the owner and/or operator of this equipment after installation or left on/near the pump.

Attention user: This manual contains important information that will help you in operating and maintaining this product. Please retain it for future reference.

Warnings and safety instructions for Pentair Aquatic Systems pumps and other related products are available at: www.pentairpooleurope.com



READ, FOLLOW AND SAVE THESE INSTRUCTIONS!

This is the safety alert symbol. When you see this symbol on your system or in this manual, look for one of the following signal words and be alert to the potential for personal injury.



Warns about hazards that can cause death, serious personal injury or major property damage if ignored.



Warns about hazards that may or can cause minor personal injury or property damage if ignored.

NOTE: Indicates special instructions not related to hazards.

Carefully read and follow all safety instructions in this manual and on equipment. Keep safety labels in good condition; replace if missing or damaged.

When installing and using this electrical equipment, basic safety precautions should always be followed, include the following:



Children should not be allowed to play with the appliance.



RISK OF ELECTRICAL SHOCK

The pump must only be connected to sockets that have been installed properly in accordance with the regulations and are protected with a FI-safety switch (RCD, 30mA).



CONNECT TO SUPPLY CIRCUIT

This unit must be connected only to a supply circuit that is protected by a RCD. Such a RCD should be provided by the installer and should be tested on a routine basis. To test the RCD, push the test button. The RCD should interrupt power. Push the reset button. Powers should be restored. If the RCD fails to operate in this manner, the RCD is defective. If the RCD interrupts power to the pump without the test button being pushed, a ground current is flowing, indicating the possibility of an electric shock. Do not use this pump! Disconnect the pump and have the problem corrected by a qualified service representative before using.



This pump is for use with permanent swimming pools and may also be used with hot tubs and spas if so marked. Do not use with storable pools.

A permanently installed pool is constructed in/on the ground or in a building such that it cannot be readily disassembled for storage.

A storable pool is constructed so that it is capable of being readily disassembled for storage and re-assembled to its original integrity.

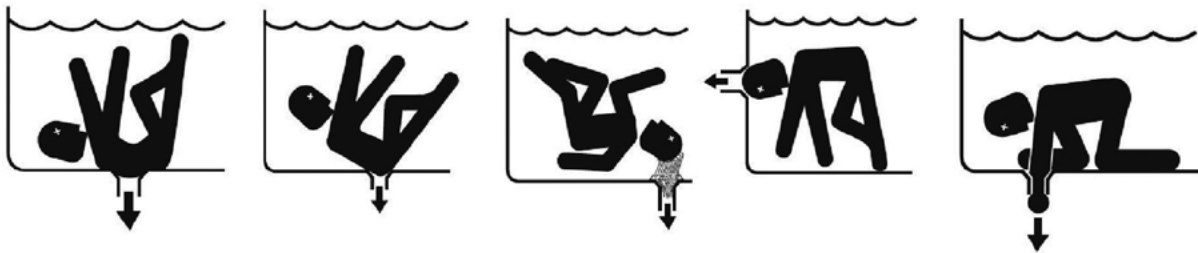
IMPORTANT PUMP WARNING AND SAFETY INSTRUCTIONS

GENERAL WARNINGS

- Never open the inside of the drive motor enclosure. There is a capacitor bank that holds a 230 VAC charge even when there is no power to the unit.
- The pump is not submersible.
- The pump is capable of high flow rates; use caution when installing and programming to limit pumps performance potential with old or questionable equipment.
- Before servicing the pump; switch OFF power to the pump by disconnecting the main circuit to the pump.
- This appliance is not intended for use by persons (incl. children) of reduced physical, sensory or mental capabilities, or lack of experience and knowledge, unless they have been given supervision or instruction concerning the use of the appliance by a person responsible for their safety.

⚠ DANGER FAILURE TO FOLLOW ALL INSTRUCTIONS AND WARNINGS CAN RESULT IN SERIOUS BODILY INJURY OR DEATH. THIS PUMP SHOULD BE INSTALLED AND SERVICED ONLY BY A QUALIFIED POOL SERVICE PROFESSIONAL. INSTALLERS, POOL OPERATORS AND OWNERS MUST READ THESE WARNINGS AND ALL INSTRUCTIONS IN THE OWNER'S MANUAL MUST BE LEFT AT THE POOL OWNER.

⚠ DANGER SUCTION ENTRAPMENT HAZARD: Stay off the main drain and away from all suction outlets! This pump produces high levels of suction and creates a strong vacuum at the main drain.



⚠ DANGER RISK OF ELECTRICAL SHOCK OR ELECTROCUTION: PUMPS REQUIRE HIGH VOLTAGE WHICH CAN SHOCK, BURN OR CAUSE DEATH.



BEFORE WORKING ON THE PUMP, ALWAYS DISCONNECT POWER TO THE POOL PUMP AT THE CIRCUIT BREAKER FROM THE PUMP. FAILURE TO DO SO COULD RESULT IN DEATH OR SERIOUS INJURY TO THE SERVICING PERSON, POOL USERS OR OTHERS DUE TO ELECTRICAL SHOCK.

The use of unapproved covers or allowing use of the pool or spa when covers are missing, cracked or broken can result in body or limb entrapment, hair entanglement, body entrapment, evisceration and/or death.

The suction at a drain or outlet can cause:

Limb Entrapment: When a limb is sucked or inserted into an opening resulting in a mechanical bind or swelling. This hazard is present when a drain cover is missing, broken, loose, cracked or not properly secured.

Hair Entanglement: When the hair tangles or knots in the drain cover, trapping the swimmer underwater. This hazard is present when the flow rating of the cover is too small for the pump or pumps.

Body Entrapment: When a portion of the body is held against the drain cover trapping the swimmer underwater. This hazard is present when the drain cover is missing, broken or the cover flow rating is not high enough for the pump or pumps.

Evisceration / Disembowelment: When a person sits on an open pool (particularly a child wading pool) or spa outlet and suction is applied directly to the intestines, causing severe intestinal damage. This hazard is present when the drain cover is missing, loose, cracked or not properly secured.

Mechanical Entrapment: When jewelry, swimsuits, hairdecorations, fingers, toes or knuckles are caught in an opening of an outlet or drain cover. This hazard is present when the drain cover is missing, broken, loose, cracked or not properly secured.

IMPORTANT PUMP WARNING AND SAFETY INSTRUCTIONS

NOTE: ALL SUCTION PLUMBING MUST BE INSTALLED IN ACCORDANCE WITH THE LATEST CODES, STANDARDS AND GUIDELINES.

⚠ WARNING

To minimize the risk of injury due to suction entrapment hazard:

- Each suction cover must be installed at least 1m apart, as measured from the nearest point to nearest point.
- Regularly inspect all covers for cracks, damage and advanced weathering.
- If a cover becomes loose, cracked, damaged, broken or is missing, replace with an appropriate certified cover.
- Replace drain covers as necessary. Drain covers deteriorate over time due to exposure to sunlight and weather.
- Avoid getting hair, limbs or body in close proximity to any suction cover, pool drain or outlet.
- Disable suction outlets or reconfigure into return inlets.

⚠ WARNING

A clearly labeled emergency shut-off switch for the pump must be in an easily accessible, obvious place. Make sure users know where it is and how to use it in case of emergency.

⚠ WARNING

Pumps improperly sized, installed or used in applications other than for which the pump was intended can result in severe personal injury or death.

These risks may include but not limited to electric shock, fire, flooding, suction entrapment or severe injury or property damage caused by a structural failure of the pump or other system component.

⚠ WARNING

The pump can produce high levels of suction within the suction side of the plumbing system. These high level of suction can pose a risk if a person comes within the close proximity of the suction

openings. A person can be seriously injured by this high level of vacuum or may become trapped and drown. It is absolutely critical that the suction plumbing be installed in accordance with the latest national and local codes for swimming pools.

For installation of electrical controls at equipment pad (ON/OFF Switches, Timers and Automation Load Center):

⚠ CAUTION



Install all electrical controls at equipment pad, such as ON/OFF switches, timers and control systems to allow the operation (startup, shut-down or servicing) of any pump or filter so the user does not place any portion of his/her body over or near the pump strainer lid, filter lid or valve closures. This installation should allow the user enough space to stand clear of the filter and pump during system start-up, shut down or servicing of the system filter.

⚠ DANGER



HAZARDOUS PRESSURE: STAND CLEAR OF PUMP AND FILTER DURING START UP

Circulation systems operate under high pressure. When any part of the circulating system (i.e. locking ring, pump, filter, valves, etc.) is serviced, air can enter the system and become pressurized. Pressurized air can cause the pump housing cover, filter lid and valves to violently separate which can result in severe personal injury or death. filter tank lid and strainer cover must be properly secured to prevent violent separation. Stand clear of all circulation system equipment when turning on or starting the pump.

Before servicing equipment, make note of the filter pressure. Be sure that all controls are set to ensure the system cannot inadvertently start during service. Turn of all power to the pump. **IMPORTANT:** Place filter manual air

relief valve in the open position and wait for all pressure in the system to be relieved.

Before starting the system, fully open the manual air relief valve and place all system valves in the "open" position to allow water to flow freely from the tank and back to the tank. Stand clear of all equipment and start the pump. **IMPORTANT:** Do not close filter manual air relief valve until all pressure has been discharged from the valve and a steady stream of water appears. Observe filter pressure gauge and be sure it is not higher than the pre-service condition.

IMPORTANT PUMP WARNING AND SAFETY INSTRUCTIONS

GENERAL INSTALLATION INFORMATION

- All work must be performed by a qualified service professional, and must conform to all national, state and local codes;
- Install to provide drainage of compartment for electrical components;
- These instructions contain information for a variety of pump models and therefore some instructions may not apply to a specific model. All models are intended for use in swimming pool applications. The pump will function correctly only if is properly sized to the specific application and properly installed;
- Installing a non-return valve after the pump on the installation will prevent the impeller from unwinding and is strongly recommended;
- Sufficient equipotential bonding (min. 4.5mm² recommended), in accordance with local regulation, is required on all metal components of the pool including the pool pump. It is required for electrical safety as well as to reduce the risk of corrosion.

SAVE THESE INSTRUCTIONS

PUMP INFORMATION

3.1 - GENERAL INFORMATION

Check carton for any evidence of damage due to rough handling in shipment. If carton or any pump components are damaged, notify the carrier immediately.

Failure to follow the safety instructions may result in serious adverse health effects, or even serious or fatal injury. Failure to follow the safety instructions will in all cases invalidate all guarantees and liability on the part of the manufacturer.

Avoid dry run of the pump, as long as the pump is not filled with water.

This pump is equipped with a mechanical seal.

Damage to shaft seal could be the cause by non-observance of instructions.

Please follow instructions for filling up the pump according to installation and instruction manual.

3.2 - APPLICATION

Only to be used to circulate swimming pool water.

3.3 - INSTALLATION

Only a qualified pump. Refer to "Important Pump Warning And Safety Instructions" for additional installation and safety information.

LOCATION

Note: Do not install this pump within an outer enclosure or beneath the skirt of a hot tub or spa unless marked accordingly.

Note: Ensure that the pump is mechanically secured to the equipment pad.

Be sure the pump location meets the following requirements:

1. Install the pump as close to the pool or spa as possible. To reduce friction loss and improve efficiency, use short, direct suction and return piping.
2. Install a minimum of 1.5 meters (5 feet) from the inside wall of the pool and spa.
3. Install the pump a minimum of 0.9 meters (3 feet) from the heater outlet.
4. Do not install the pump more than 2.5 meters above the water level.
5. Install the pump in a well ventilated location protected from excess moisture (i.e. rain gutter downspouts, sprinklers, etc.).
6. Install the pump with a rear clearance of at least 7.6 cm (3 inches) so that the motor can be removed easily for maintenance and repair. See Figure 1.

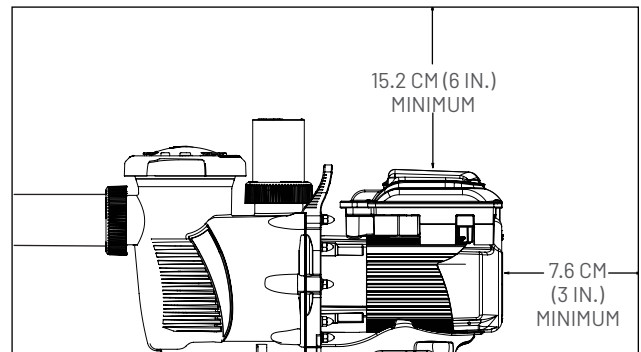


Figure 1: Pump Rear and Vertical Clearance

PIPING

1. For improved pool plumbing, it is recommended to use a larger pipe size.
2. Piping on the suction side of the pump should be the same or larger than the return line diameter.
3. Plumbing on the suction side of the pump should be as short as possible.
4. For most installations Pentair recommends installing a valve on both the pump suction and return lines so that the pump can be isolated during routine maintenance. However, we also recommend that a valve, elbow or tee installed in the suction line should be no closer to the front of the pump than five (5) times the suction line diameter. independently support the pipe near the suction and discharge of the pump in order to reduce the strain on the pump. Avoid overtightening pipe connections. Use only pipe sealants formulated for plastics. Do not use petroleum based products. It is essential that the suction line is free of air leaks. The suction line should always be at least the same size as the suction inlet of the pump. See Figure 2.

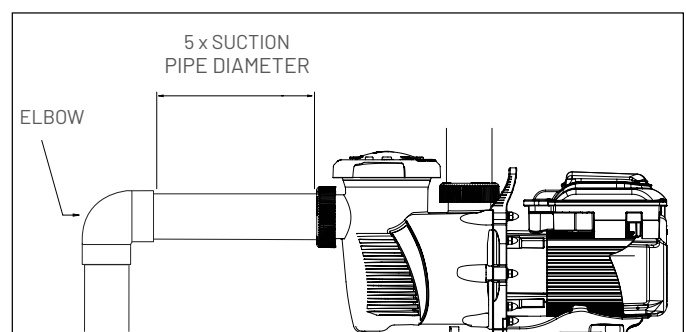


Figure 2: Recommended Piping

Example: A $\varnothing 50$ mm pipe requires a 250 mm straight run in front of the suction inlet of the pump. This will help the pump prime faster and last longer.

Note: DO NOT install 90° elbows directly into the pump inlet or outlet.

PUMP INFORMATION

FITTINGS AND VALVES

1. Do not install 90° elbows directly into pump inlet.
2. Flooded suction systems should have gate valves installed on suction and discharge pipes for maintenance, however, the suction gate valve should be no closer than five times the suction pipe diameter as described in this section.
3. Use a check valve (non-return valve) in the discharge line when using this pump for any application where there is significant height to the plumbing after the pump.
4. Be sure to install check valves when plumbing in parallel with another pump. This helps prevent reverse rotation of the impeller and motor.

3.4 - START / OPERATION

Starting the pump

- Fill pump strainer with water to suction pipe level.
- Lubricate the lid O-ring with lubricant each time it is removed.
- Make sure the strainer lid is properly closed before turning on the pump.
- Energize the motor, the pump will prime. The priming time depends on the suction lift and distance to

ELECTRICAL REQUIREMENTS

1. Install all equipment in accordance with the National Electrical code and all applicable local codes and ordinances. Sufficient equipotential bonding (min. 4.5mm² recommended), in accordance with local regulation, is required on all metal components of the pool including the pool pump. It is required for electrical safety as well as to reduce the risk of corrosion.
2. A means for disconnection must be incorporated in the fixed wiring in accordance with the wiring rules.
3. Do not mount electrical controls directly over pump.

the pool. Five minutes is a reasonable time.

- Pump will not lift more than 2,5 meter. If pump does not prime, see troubleshooting guide.
- Avoid damage on your pool products by installing water treatment products (chlorine/ph/pumps/...) behind other equipment.

Maintenance

The strainer basket should be weekly removed and cleaned. Never operate the pump without its strainer basket.

Component	Check	Interval	Remarks
Warning pictograms	Visual check	Monthly	Replace if necessary
Water supply	Check lines and connections	Monthly	Replace any damage immediately
Safety devices	Visual check	Monthly	Ensure correct installation / refitting
General condition of the pump	Visual check	Half-yearly	Look out for any corrosion or damage
Cooling ribs of electric motors	Clean the cooling ribs to maintain the cooling effect	Half-yearly	-
Electrical equipment	Check	Monthly	Rectify loose connections or singed cables immediately. Have all faults repaired by a qualified electrician
Preliminary filter housing	Check housing for dirt	Weekly	Remove all dirt thoroughly
O-Ring in preliminary filter cover	Visual check	Half-yearly	-

Winterizing

- Protect the pump from freezing.
- Remove all plugs and drain the pump and all piping.
- Store drains and plugs in the strainer basket.
- Remove the pump to a dry and warm room.
- Do not wrap the motor with plastic covering as condensation may damage the pump.
- In installations where the pump can not be drained, a 40% propyleneglycol, 60% water solution will protect to -46°C.
- Do not use other anti-freeze solutions, these are all highly toxic and will damage the pump.

PUMP INFORMATION

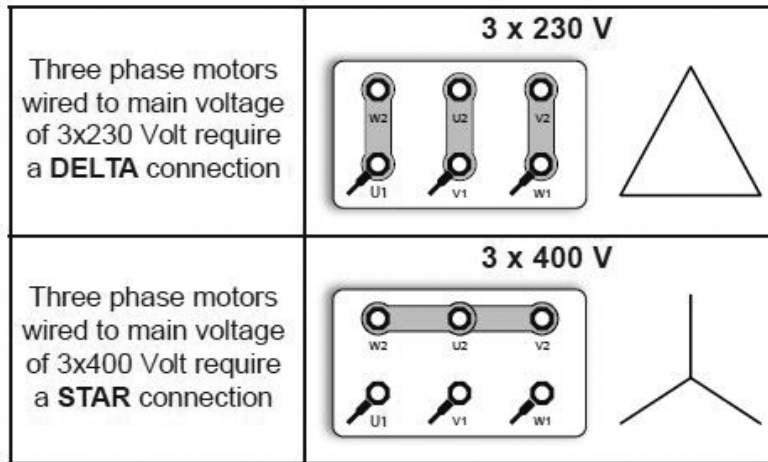
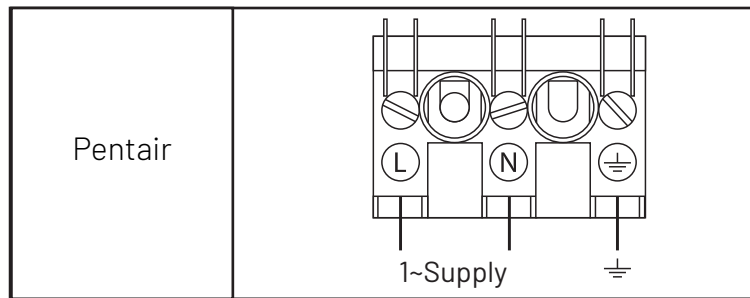
3.5 - ELECTRICAL CONNECTION

The electrical motor must be wired by a professional according to this installation instruction and all applicable local regulations. By introduction of the pump a motor security has to be foreseen by the installation. The security has to be tuned into the nominal power of the motor. The supply voltage should be within $\pm 5\%$ of the rated voltage, on the nameplate of the motor.

Single-phase motors should be connected at the two terminals as indicated below.

Single-phase and three-phase wiring diagram:

*** Below diagram must not take precedence over the electrical scheme on the motor itself.**



The electrical power line must be fitted with a short circuit protection device, and a residual current device RCD with high sensitivity (30mA), protected by means of a slow-acting fuse or a magnetothermic switch. Make sure that you interrupt the power supply to the cables when connecting the cables of the pump.

Please remove lead wires from terminals prior to installation !

Please check the turning direction of three-phase motors following each connection. If this does not correspond to the arrow on the pump, two phase connections in the junction box must be reversed. Every motor must be permanently grounded. **Connections which do not conform to the above mentioned safety instruction are not covered by the warranty.**

PUMP INFORMATION

3.6 - SERVICING

The pump is designed to operate for many years without servicing. **Always disconnect the power supply to the pump before servicing.** The replacement of the electrical motor must be done by a professional. Fill pump strainer with water to suction pipe level.

3.7 - TROUBLESHOOTING

Pump will not prime

1. No water in strainer pot
2. Strainer pot is not tight
3. Damage lid O-ring
4. Water level is below skimmer
5. Strainer basket or skimmer basket is clogged
6. Closed valve in piping system
7. Air leak in suction line

Motor does not turn

1. Power switch is off
2. Circuit breaker has tripped
3. Pump is off-mode of a timer controlled circuit
4. Motor terminal connections are incorrect
5. Motor shaft is locked
6. Impeller is locked by debris

Low flow/high filter pressure

1. Filter is dirty
2. Restriction in return line

Low flow/low filter pressure

1. Strainer basket or skimmer basket is clogged
2. Clogged impeller
3. Air leak in suction line
4. Restriction in suction line
5. Reverse rotation of motor (three phase only)

Noisy pump

1. Air leak in suction
2. Foreign matter in pump housing
3. Cavitation

AN ILLUSTRATED SPARE PARTS LIST CAN BE FOUND AT:

www.pentairpooleurope.com



PENTAIR INTERNATIONAL LLC,
Av. de Sévelin 20, CH-1004 - LAUSANNE, Switzerland
WWW.PENTAIR.COM

All indicated Pentair trademarks and logos are property of Pentair Inc. or its global affiliates in the U.S.A and/or other countries. Third party registered and unregistered trademarks and logos are the property of their respective owners. Because we are continuously improving our products and services, Pentair reserves the right to change specifications without prior notice. Pentair is an equal opportunity employer.

© 2020 Pentair. All rights reserved. This document is subject to change without notice.

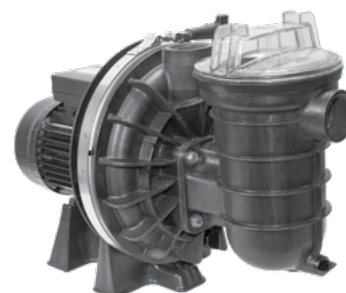


POMPES À VITESSE UNIQUE

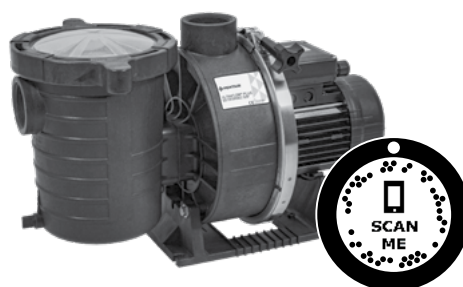
LA STA-RITE® HD



LA STA-RITE®



ULTRAFLOW®



WHISPERFLO®



SUPERFLO®



PANTERA™



GUIDE D'INSTALLATION ET D'UTILISATION

CONSIGNES DE SÉCURITÉ IMPORTANTES

LISEZ ET SUIVEZ TOUTES LES INSTRUCTIONS / CONSERVEZ CES INSTRUCTIONS

P-INSB-PENT2

English

Français

Español

Deutsch

Italiano

Dutch

POMPES À VITESSE UNIQUE

Pentair vous remercie de lui avoir fait confiance et d'avoir acheté l'une de nos pompes à vitesse unique. Veuillez lire attentivement ce manuel d'utilisation pour profiter pleinement de toutes les fonctions de ces produits. Conservez-le soigneusement afin qu'il puisse être consulté à tout moment.



Déclaration de conformité

Directives - Normes harmonisées

Pentair International Sarl - Avenue de Sévelin 20 - 1004 Lausanne - Suisse

Nous déclarons, sous notre propre responsabilité, que les produits livrés avec ce manuel sont conformes aux directives.

Directive	Norme harmonisée
2014/35/UE Basse tension	EN 60335-1 ; EN 60335-2-41
2014/30/UE (EMC)	EN 61000-6-1 ; EN 61000-6-3 ; EN 55014-1 ; EN 55014-2
Directive 2019/125/EC sur l'écoconception, Règlement 640/2009	EN 60034-30
2011/65/UE (RoHS)	EN 50581



Personne habilitée pour la documentation technique

Pentair International S.a.r.l

Avenue de Sévelin 20

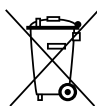
1004 Lausanne - Suisse

Lausanne, 2020 06 10

Jacques Van Bouwel

Engineering Mgr, Aquatic Systems Europe

Spécifications du produit :



Traitement des déchets des appareils électroniques en fin de vie :

La poubelle barrée placée sur les principaux composants du produit indique qu'ils ne doivent pas être jetés avec les déchets ménagers. Ils doivent être retournés à un point de collecte approprié pour le recyclage des appareils électroniques (informations disponibles auprès du service local de collecte des déchets ménagers). Ce produit contient des substances potentiellement dangereuses qui peuvent avoir des effets néfastes sur l'environnement et la santé humaine.

- Le document peut être modifié sans préavis.

Marques de fabrique et clauses de non-responsabilité : Pantera™ UltraFlow®, SuperFlo®, Sta-Rite® ou WhisperFlo® et Pentair sont des marques de commerce et/ou des marques déposées de Pentair et/ou de ses sociétés affiliées. Sauf indication contraire, les noms et marques de tiers susceptibles d'être employés dans ce document ne signifient aucunement une quelconque adhésion entre les propriétaires de ces noms et marques et Pentair. Ces noms et marques peuvent être les marques de commerce ou les marques déposées de ces parties ou de tiers.

SERVICE À LA CLIENTÈLE/SUPPORT TECHNIQUE

Si vous avez des questions sur la commande de pièces de rechange et de produits pour piscines Pentair Aquatic Systems (Pentair), veuillez utiliser les informations de contact suivantes :

Service client

Service client PISE, ITALIE (8h30 à 16h30 CET)
 +39 050716166 / +39 050716169
 orders.pooleu@pentair.com
 poolemea@pentair.com
 www.pentairpooleurope.com

Assistance technique

E-mail : techsupport.poolemea@pentair.com
 Assistance téléphonique : +33 184280940

Table des matières

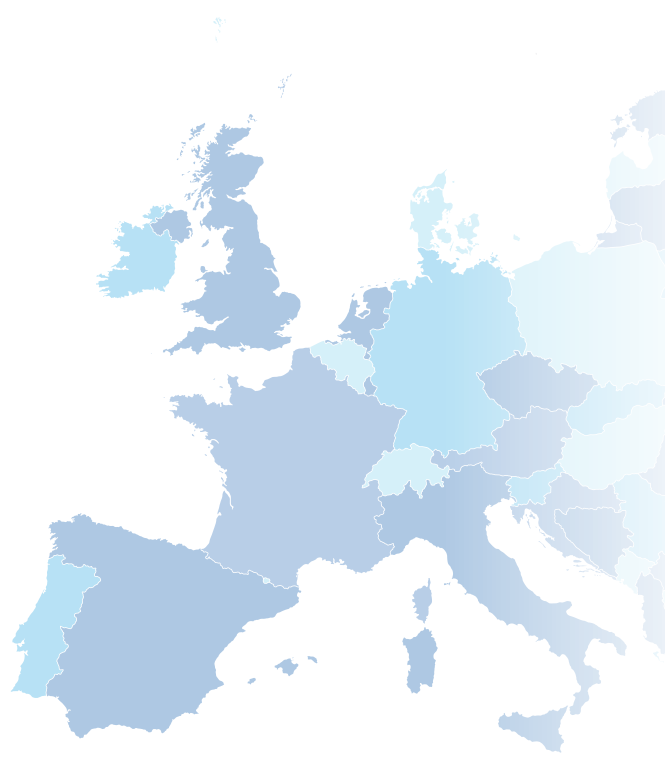
1. Avertissements et instructions de sécurité importants pour les pompes.....	04
2. Informations sur la pompe	05
2.1. Informations générales	05
2.2 Application	06
2.3 Installation	10
2.4 Mise en marche / Fonctionnement.....	15
2.5 Raccordement électrique	15
2.6 Entretien	16

ACADEMY TRAINING TOUR

Acquérez une expérience technique grâce à une formation Pentair

Découvrez les dernières évolutions au niveau des systèmes d'automatisation, des pompes, des chauffages, de l'éclairage, de la filtration, des accessoires aquatiques et de la production de chlore. Nos instructeurs expérimentés, le matériel de cours détaillé et les aides à la formation vous enseigneront les techniques et la compréhension du monde réel nécessaires pour vous aider à paramétrer, installer, détecter les pannes et réaliser l'entretien de l'équipement de piscine le plus perfectionné du moment... en restant rentable. Vous acquerrez ainsi un savoir-faire appréciable.

En savoir plus : techsupport.poolemea@pentair.com



AVERTISSEMENTS ET INSTRUCTIONS DE SÉCURITÉ IMPORTANTS POUR LES POMPES



AVIS IMPORTANT

Ce document peut être modifié sans avis préalable.

Marques de fabrique et clauses de non-responsabilité : Pantera™, UltraFlow®, SuperFlo®, Sta-Rite® et Pentair sont des marques de commerce et/ou des marques déposées de Pentair et/ou de ses sociétés affiliées. Sauf mention contraire, les noms et marques de tiers susceptibles d'être employés dans ce document ne signifient aucunement une quelconque adhésion entre les propriétaires de ces noms et marques et Pentair. Ces noms et marques peuvent être les marques de fabrique de ces parties ou de tiers.

À l'attention de l'installateur : ce guide présente une série de consignes importantes concernant l'installation, le fonctionnement et l'utilisation sans risque de ce produit. Ces informations doivent être transmises au propriétaire

et/ou à l'opérateur de cet équipement après l'installation ou rangées à proximité de la pompe.

À l'attention de l'utilisateur : ce manuel contient des informations importantes qui vous apprendront comment utiliser et entretenir ce produit. Veuillez le conserver pour référence ultérieure.

Les avertissements et les consignes de sécurité pour les pompes Pentair Aquatic Systems et les produits connexes sont disponibles à l'adresse suivante : www.pentairpooleurope.com



LISEZ, RESPECTEZ ET CONSERVEZ CES INSTRUCTIONS !

Voici le symbole d'alerte de sécurité. Lorsque vous apercevez ce symbole dans votre système ou sur ce manuel, recherchez un des mots clés suivants et soyez vigilant au risque de dommages corporels.



Avvertissements relatifs à des risques pouvant potentiellement provoquer la mort, des dommages corporels ou matériels graves s'ils sont ignorés.



Avvertissements relatifs à des risques susceptibles de provoquer des dommages corporels ou matériels mineurs en cas de non-respect.

REMARQUE : indique des instructions spéciales non liées à des risques.

Lisez attentivement et respectez toutes les instructions de sécurité figurant dans ce manuel et sur l'équipement. Gardez les étiquettes de sécurité en bon état et remplacez-les si elles manquent ou sont abimées.

Lors de l'installation et de l'utilisation de cet équipement électrique, prenez toujours des précautions de sécurité élémentaires, notamment :



Les enfants ne doivent pas être autorisés à jouer avec l'appareil.



RISQUE DE DÉCHARGE ÉLECTRIQUE

La pompe ne doit être raccordée qu'à des prises installées correctement conformément à la réglementation et protégées par un interrupteur de sécurité FI (DDFT, 30 mA).



RACCORDEMENT AU CIRCUIT D'ALIMENTATION

Cette unité doit seulement être raccordée à un circuit d'alimentation protégé par un DDFT (disjoncteur-détecteur de fuites à la terre). Ce DDFT doit être fourni par l'installateur et testé régulièrement. Pour tester le DDFT, appuyez sur le bouton de test. Le DDFT doit interrompre l'alimentation de courant. Appuyez sur le bouton de RAZ. L'alimentation électrique doit être rétablie. Si le DDFT ne fonctionne pas comme cela, il est défectueux. Si le DDFT interrompt l'alimentation de la pompe sans devoir appuyer sur le bouton de test, un courant à la terre circule, indiquant la possibilité d'un choc électrique. Ne pas utiliser cette pompe ! Débranchez la pompe et faites-la réparer par un représentant de service qualifié avant de l'utiliser à nouveau.



Cette pompe est destinée à être utilisée avec des piscines à installation permanente et peut également être utilisée avec des bains à remous et des spas le cas échéant. Ne pas utiliser avec des piscines démontables.

Une piscine permanente est construite dans/sur le sol ou dans un bâtiment, elle ne peut pas être démontée pour être rangée.

Une piscine démontable est conçue de manière à pouvoir être démontée rapidement en vue de son rangement et remontée dans son état d'intégrité initial.

AVERTISSEMENTS ET INSTRUCTIONS DE SÉCURITÉ IMPORTANTS POUR LES POMPES

AVERTISSEMENTS GÉNÉRAUX

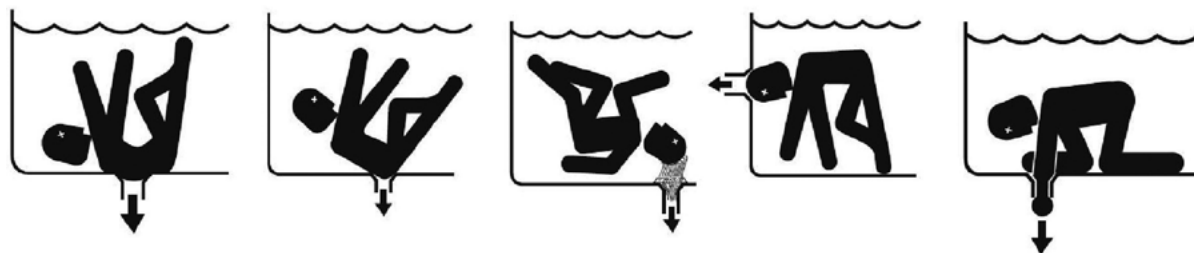
- N'ouvrez jamais l'intérieur de l'enceinte du moteur d'entraînement. Même lorsque l'unité n'est pas alimentée, une batterie de condensateurs contient du courant 230 V CA.
- La pompe n'est pas submersible.
- La pompe autorise des débits élevés ; procéder avec précaution lors de l'installation et de la programmation pour limiter le potentiel de performances des pompes avec de l'équipement ancien ou douteux.
- Avant une intervention sur la pompe, mettez la pompe HORS tension en débranchant la pompe du secteur.
- L'appareil n'est pas conçu pour être utilisé par des personnes (y compris des enfants) ayant des aptitudes physiques, sensorielles ou mentales réduites ou manquant d'expérience et de connaissance, sauf si elles sont supervisées ou ont reçu des instructions concernant l'utilisation de l'appareil par une personne responsable de leur sécurité.



NE PAS SUIVRE TOUTES LES CONSIGNES ET TOUS LES AVERTISSEMENTS PEUT CAUSER DES BLESSURES CORPORELLES GRAVES VOIRE LA MORT. SEUL UN PROFESSIONNEL D'ENTRETIEN DE PISCINE QUALIFIÉ PEUT INSTALLER ET ENTREtenir CETTE POMPE. LES INSTALLATEURS, OPÉRATEURS ET PROPRIÉTAIRES DE PISCINE DOIVENT LIRE CES AVERTISSEMENTS, ET TOUTES LES CONSIGNES DU MANUEL DOIVENT ÊTRE LAISSÉES AU PROPRIÉTAIRE DE LA PISCINE.



RISQUE DE HAPPEMENT PAR ASPIRATION : Restez éloigné(e) de l'évacuation principale et de toutes les sorties d'aspiration ! Cette pompe produit des niveaux élevés d'aspiration et crée une dépression puissante au niveau de l'évacuation principale.



RISQUE DE DÉCHARGE ÉLECTRIQUE OU D'ÉLECTROCUTION : LES POMPES NÉCESSITENT UNE HAUTE TENSION QUI PEUT PROVOQUER DES CHOCS, DES BRÛLURES, VOIRE LA MORT.



TOUJOURS DÉBRANCHER LE COURANT DE LA POMPE DE PISCINE AU NIVEAU DU DISJONCTEUR AVANT D'INTERVENIR SUR LA POMPE. TOUT MANQUEMENT À CETTE OBLIGATION EST SUSCEPTIBLE D'ENTRAÎNER LA MORT OU D'OCCASIONNER DES LÉSIONS CORPORELLES GRAVES AUX UTILISATEURS DE LA PISCINE, AUX INSTALLATEURS OU À D'AUTRES PERSONNES EN RAISON DU RISQUE D'ÉLECTROCUTION.

L'utilisation de couvertures non autorisées ou la permission d'utiliser la piscine ou le spa lorsque les couvertures sont fissurées ou cassées peut provoquer un coincement du corps ou d'un membre, un emmêlement des cheveux, une éviscération et/ou la mort.

L'aspiration d'une évacuation ou d'une sortie peut provoquer :

Coincement d'un membre : si un membre est aspiré ou coincé dans une ouverture, ce qui entraîne une liaison mécanique ou un gonflement. Ce risque est présent si un

couvercle d'évacuation est manquant, cassé, desserré, fissuré ou sécurisé de manière incorrecte.

Emmêlement des cheveux : si les cheveux sont emmêlés ou coincés dans le couvercle de l'évacuation, piégeant ainsi le nageur sous l'eau. Ce risque est présent si le débit du couvercle est trop faible pour la ou les pompe(s).

Coincement du corps : si une partie du corps est maintenue contre le couvercle d'évacuation, piégeant le nageur sous l'eau. Ce risque est présent si le couvercle d'évacuation est manquant, cassé ou si le débit n'est pas assez élevé pour la ou les pompe(s).

Éviscération/éventrement : quand une personne est assise sur une piscine ouverte (particulièrement les pataugeoires pour enfant) ou sur la sortie du spa et si l'aspiration est appliquée directement sur les zones intestinales, causant des blessures graves. Ce risque est présent si le couvercle d'évacuation est manquant, desserré, fissuré ou mal fixé.

Coincement mécanique : quand des bijoux, un maillot de bain, des accessoires pour cheveux, les doigts, les orteils ou les articulations sont pris dans l'ouverture d'une sortie ou d'un couvercle d'évacuation. Le risque est présent si un couvercle d'évacuation est manquant, cassé, desserré, fissuré ou sécurisé de manière incorrecte.

AVERTISSEMENTS ET INSTRUCTIONS DE SÉCURITÉ IMPORTANTS POUR LES POMPES

REMARQUE : TOUTES LES TUYAUTERIES D'ASPIRATION DOIVENT ÊTRE INSTALLÉES CONFORMÉMENT AUX CODES, NORMES ET DIRECTIVES LES PLUS RÉCENTS.

AVERTISSEMENT Pour minimiser les risques de blessures par aspiration :

- Les couvercles d'aspiration doivent être installés à au moins 1 mètre l'un de l'autre, du point le plus proche au point le plus proche.
- Inspectez régulièrement tous les couvercles pour vérifier la présence de fissures, de dommages ou d'effritements avancés.
- Si un couvercle est détaché, fissuré, endommagé, cassé ou manquant, remplacez-le par un couvercle certifié correspondant.
- Remplacez les couvercles d'évacuation si nécessaire. Les couvercles d'évacuation se détériorent avec le temps en raison de l'exposition à la lumière du soleil et des conditions météorologiques.
- Ne mettez pas les cheveux, les membres ou le corps à proximité d'un couvercle d'aspiration, de l'évacuation ou la sortie d'une piscine.
- Désactivez les sorties d'aspiration et reconfigurez-les en entrées de retour.

AVERTISSEMENT Un commutateur de coupure d'urgence clairement étiqueté pour la pompe doit être placé dans un endroit évident, facilement accessible. Assurez-vous que les utilisateurs savent où il se trouve et comment l'utiliser en cas d'urgence.

AVERTISSEMENT Les pompes mal dimensionnées, installées ou utilisées dans des applications autres que celles pour lesquelles la pompe a été conçue peuvent entraîner des blessures graves, voire la mort.

De façon non exhaustive, ces risques peuvent inclure un choc électrique, un incendie, une inondation, une prise au piège dans les sorties d'aspiration, des blessures graves ou des dégâts matériels provoqués par une défaillance structurelle de la pompe ou d'autres composants du système.

AVERTISSEMENT La pompe peut produire une aspiration élevée côté aspiration du système de tuyauterie. Ces niveaux élevés d'aspiration peuvent représenter un risque si une personne s'approche trop près des ouvertures d'aspiration. Une personne peut être sérieusement blessée par cette aspiration élevée ou être prise au piège et se noyer. Il est absolument indispensable que la tuyauterie d'aspiration soit installée conformément aux derniers codes nationaux et locaux pour piscines.

Pour l'installation de commandes électriques sur le coussin d'équipements (commutateurs MARCHE/ARRÊT, minuteurs et centre de charge d'automatisation) :

ATTENTION !



Les commandes électriques comme les interrupteurs MARCHE/ARRÊT, les minuteurs et les systèmes de commande doivent être installés pour permettre à la pompe ou au filtre de fonctionner (démarrage, arrêt ou entretien) sans devoir mettre une partie du corps sur ou à proximité du couvercle de la crépine, du couvercle du filtre ou de la fermeture de la vanne. Une telle installation devrait offrir à l'utilisateur assez de place pour rester éloigné du filtre et de la pompe pendant le démarrage, l'arrêt ou l'entretien du filtre système.

DANGER



PRESSIION DANGEREUSE : ÉLOIGNEZ-VOUS DE LA POMPE ET DU FILTRE PENDANT LE DÉMARRAGE.

Les systèmes de circulation fonctionnent sous haute pression. En cas d'entretien de n'importe quelle pièce du système de circulation (par exemple, bague de retenue, pompe, filtre, vanne etc.), l'air peut entrer dans le système et être pressurisé. L'air sous pression peut séparer violemment le boîtier de la pompe, le couvercle du filtre et les vannes, causant des blessures graves, voire la mort. Le couvercle de réservoir ou de la crépine du filtre doit être correctement installé pour éviter une séparation violente. Restez éloigné du système de circulation lors de la mise en marche ou du démarrage de la pompe.

Avant l'entretien de l'équipement, notez la pression du filtre. Vérifiez que toutes les commandes sont positionnées pour garantir que le système ne se mette pas par inadvertance en marche pendant l'entretien. Coupez le courant de la pompe. **IMPORTANT** : Mettez la vanne de purge d'air manuelle du filtre en position ouverte et attendez que la pression du système s'évacue.

Avant le démarrage du système, ouvrez entièrement la vanne de purge d'air manuelle et mettez toutes les vannes du système en position « ouverte » pour permettre à l'eau de circuler librement à partir du réservoir et vers celui-ci. Restez éloigné de l'équipement et démarrez la pompe. **IMPORTANT** : ne fermez pas la vanne de purge d'air manuelle avant que toute la pression soit évacuée et qu'un flux constant d'eau apparaisse. Observez la jauge de pression du filtre et vérifiez qu'elle n'est pas supérieure aux conditions préalables à l'entretien.

AVERTISSEMENTS ET INSTRUCTIONS DE SÉCURITÉ IMPORTANTS POUR LES POMPES

INFORMATIONS D'INSTALLATION GÉNÉRALES

- Tous les travaux doivent être effectués par un électricien qualifié et doivent être conformes à tous les codes nationaux, régionaux et locaux ;
- Il faut prévoir un drainage du compartiment des composants électriques ;
- Ces instructions contiennent des informations valables pour une variété de modèles de pompes. Par conséquent, certaines instructions peuvent ne pas s'appliquer à un modèle spécifique. Tous les modèles sont destinés à être utilisés dans des applications pour piscines. La pompe ne fonctionnera correctement que si elle est justement dimensionnée pour l'application spécifique et correctement installée ;
- Il est vivement conseillé de mettre en place un clapet antiretour placé après la pompe sur l'installation pour empêcher le déroulement de la turbine.
- Une liaison équipotentielle suffisante (min. recommandé : $4,5 \text{ mm}^2$), en accord avec les réglementations locales, est requise pour tous les composants métalliques de la piscine, y compris la pompe. Cette exigence vise à assurer la sécurité électrique ainsi qu'à réduire le risque de corrosion.

ENREGISTRER CES INSTRUCTIONS

3.1 - INFORMATIONS GÉNÉRALES

Vérifiez l'emballage de la pompe pour y détecter tout signe de dommages dus à une mauvaise manipulation pendant le transport. Si le carton ou les composants de la pompe sont endommagés, notifiez immédiatement le transporteur.

Ne pas suivre les consignes de sécurité peut causer des effets néfastes sur la santé ou même des blessures graves voire la mort. Ne pas suivre les consignes de sécurité invalidera dans tous les cas les garanties et exonèrera le fabricant de toute responsabilité.

Évitez de faire fonctionner la pompe à sec, tant qu'elle n'est pas remplie d'eau.

Cette pompe est équipée d'un joint mécanique.

Des dommages au joint d'arbre peuvent être provoqués par le non-respect des instructions.

Veuillez suivre les instructions de remplissage de la pompe conformément au manuel d'installation et d'instructions.

3.2 - APPLICATION

À utiliser uniquement pour faire circuler l'eau de piscine.

3.3 - INSTALLATION

Seulement une pompe qualifiée. Reportez-vous à la rubrique « Avertissements et instructions de sécurité importants pour les pompes » pour obtenir des informations supplémentaires sur l'installation et la sécurité.

EMPLACEMENT

Remarque : ne pas installer cette pompe dans une enceinte extérieure ou sous la jupe d'un bain à remous ou d'un spa, sauf mention dans ce sens.

Remarque : assurez-vous que la pompe est mécaniquement fixée au patin de l'équipement.

Vérifiez que l'emplacement de la pompe répond aux exigences suivantes :

1. Installer la pompe le plus près possible de la piscine ou du spa. Pour réduire les pertes de charge par frottement et améliorer l'efficacité, utilisez des tuyaux d'aspiration et de retour courts et directs.
2. Installez la pompe au minimum à 1,50 m de la paroi intérieure de la piscine et du spa.
3. Installer la pompe à un minimum de 0,9 mètre (3 pieds) de l'entrée de chauffage.
4. N'installez pas la pompe à plus de 2,5 mètres au-dessus du niveau d'eau.
5. Installez la pompe dans un endroit bien ventilé et protégé d'une humidité excessive (c.-à-d. tuyaux de descente d'eaux pluviales, arroseurs, etc.).
6. Installer la pompe avec un écart arrière d'au moins 7,6 cm (3 pouces) de sorte que le moteur puisse être retiré facilement pour la maintenance et la réparation. Voir Figure 1.

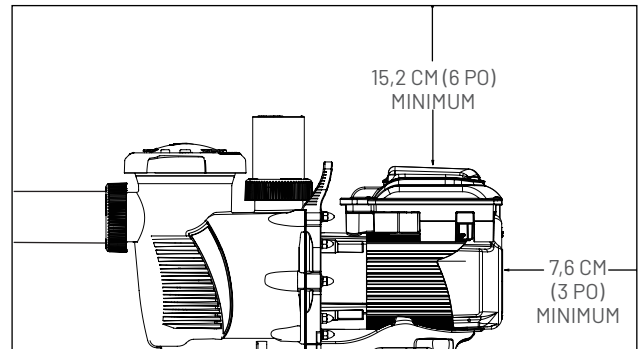


Figure 1 : dégagement arrière et vertical par rapport à la pompe

TUYAUTERIE

1. Pour une tuyauterie améliorée de la piscine, il est recommandé d'utiliser une taille de tuyau plus grande.
2. Le diamètre de la tuyauterie du côté aspiration de la pompe doit être identique ou plus important que celui de la conduite de retour.
3. La tuyauterie du côté aspiration de la pompe doit être la plus courte possible.
4. Pour la plupart des installations, Pentair recommande d'installer une vanne sur les conduites d'aspiration et de retour afin de pouvoir isoler la pompe pendant les travaux d'entretien courants. Cependant, nous recommandons également qu'une vanne, un coude ou un té installés sur la conduite d'aspiration ne soit pas placé à une distance de l'avant de la pompe inférieure à cinq (5) fois le diamètre de la conduite d'aspiration. Soutenez indépendamment le tuyau près de l'aspiration et du refoulement de la pompe afin de réduire la contrainte exercée sur la pompe. Évitez de trop serrer les raccords de conduite. Utilisez des produits d'étanchéité pour conduites en plastique. Ne pas utiliser de produits à base de pétrole. La conduite d'aspiration doit absolument être dépourvue de fuites d'air. La conduite d'aspiration devrait avoir la même taille que l'entrée d'aspiration de la pompe. Voir Figure 2.

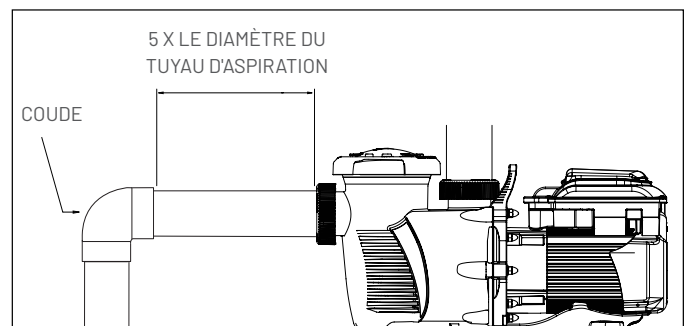


Figure 2 : tuyauterie recommandée

Exemple : un tuyau de \varnothing 50 mm requiert une ligne droite de 250 mm avant l'entrée d'aspiration de la pompe. Cela permettra d'amorcer la pompe plus rapidement et elle fonctionnera plus longtemps.

Remarque : NE PAS installer de coudes à 90° directement à l'entrée ou à la sortie de la pompe.

INFORMATIONS SUR LA POMPE

RACCORDS ET VANNES

1. Ne pas installer de coudes à 90° directement à l'entrée de la pompe.
2. Les systèmes d'aspiration immergés doivent avoir des robinets-vannes intégrés dans les tuyaux d'aspiration et de décharge pour la maintenance. Toutefois, le robinet-vanne d'aspiration ne doit pas être plus près que cinq fois le diamètre du tuyau d'aspiration, comme décrit ci-dessus.
3. Utilisez un clapet de non-retour dans la conduite de refoulement lorsque vous utilisez cette pompe pour une application où la hauteur est importante par rapport à la tuyauterie placée après la pompe.
4. Installez des clapets anti-retour lorsque la tuyauterie est en parallèle avec une autre pompe. Cela évite les rotations en sens inverse de la turbine et du moteur.

ALIMENTATION ÉLECTRIQUE REQUISE

1. Installez l'équipement conformément au Code National Électrique et à tous les codes et règlements locaux en vigueur. Une liaison équipotentielle suffisante (min. recommandé : 4,5 mm²), en accord avec les réglementations locales, est requise pour tous les composants métalliques de la piscine, y compris la pompe. Cette exigence vise à assurer la sécurité électrique ainsi qu'à réduire le risque de corrosion.
2. Il est nécessaire d'incorporer un moyen de déconnexion dans le câblage fixe conformément aux règles de câblage.
3. N'installez pas de commandes électriques directement sur la pompe.

3.4 - MISE EN MARCHÉ / FONCTIONNEMENT

Mise en marche de la pompe

- Remplissez le pré-filtre de la pompe avec de l'eau jusqu'au niveau de la conduite d'aspiration.
- Lubrifiez le joint torique du couvercle avec du lubrifiant chaque fois que vous l'enlevez.
- Assurez-vous que le couvercle de la crépine est correctement fermé avant d'allumer la pompe.
- Mettez le moteur sous tension, la pompe s'amorcera. Le temps d'amorçage dépend de la hauteur d'aspiration et de la distance jusqu'à la piscine. Cinq minutes est une durée raisonnable.

tion et de la distance jusqu'à la piscine. Cinq minutes est une durée raisonnable.

- La pompe n'élèvera pas l'eau de plus de 2,5 mètres. Si la pompe ne s'amorce pas, reportez-vous au guide de dépannage.
- Évitez d'endommager vos produits pour piscine en installant des produits de traitement de l'eau (chlore/pH/pompes/etc.) derrière d'autres équipements.

Maintenance

Le panier du pré-filtre doit être retiré et nettoyé chaque semaine. Ne jamais faire fonctionner la pompe sans son panier de pré-filtre.

Composant	Vérification	Intervalle	Remarques
Icônes d'avertissement	Vérification visuelle	Chaque mois	Remplacer si nécessaire
Alimentation en eau	Vérifier les conduites et les raccords	Chaque mois	Réparez immédiatement les dommages
Appareil de sécurité	Vérification visuelle	Chaque mois	Vérifier la bonne installation/réviser
État général de la pompe	Vérification visuelle	Tous les six mois	Rechercher toute trace de corrosion ou dommages
Ailettes de ventilation des moteurs électriques	Nettoyer les ailettes pour maintenir l'effet de refroidissement	Tous les six mois	-
Alimentation électrique	Vérification	Chaque mois	Rectifier immédiatement les connexions desserrées ou les câbles brûlés. Faire réparer tous les défauts par un électricien qualifié
Boîtier du filtre dégrossisseur	Vérifier la présence de saleté dans le boîtier	Toutes les semaines	Retirer entièrement toute la saleté
Joint torique du couvercle du filtre dégrossisseur	Vérification visuelle	Tous les six mois	-

Hivernisation

- Protégez la pompe du gel.
- Retirez tous les bouchons et purgez la pompe et toutes les conduites.
- Rangez les évacuations et les bouchons dans le panier du pré-filtre.
- Déposez la pompe et entreposez-la dans une pièce chauffée et sèche.
- N'enveloppez pas le moteur avec du plastique puisque

la condensation peut endommager la pompe.

- Pour des installations où il est impossible de purger la pompe, une solution à 60 % d'eau et 40 % de propylène glycol protégera la pompe jusqu'à -46 °C.
- Ne pas utiliser d'autre solution anti-gel, elles sont toutes hautement toxiques et endommageront la pompe.

INFORMATIONS SUR LA POMPE

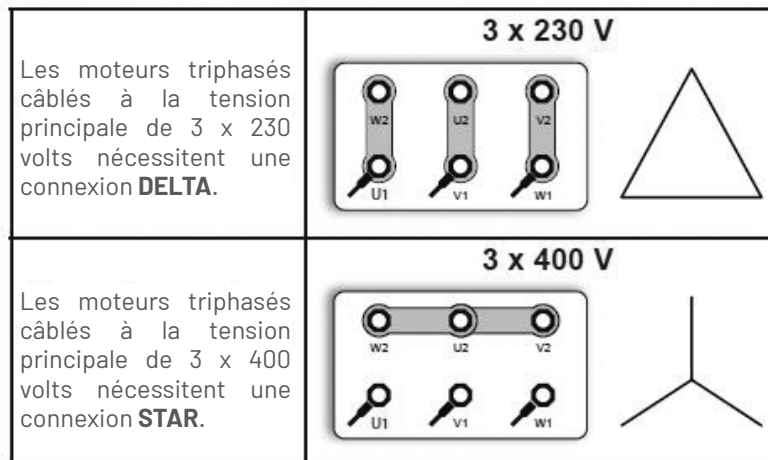
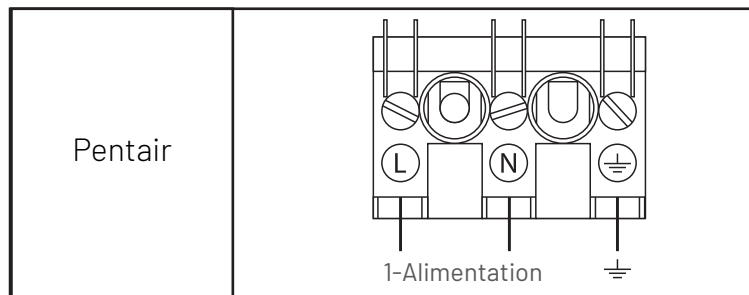
3.5 - RACCORDEMENT ÉLECTRIQUE

Le moteur électrique doit être câblé par un professionnel conformément à ces consignes d'installation et à toutes les réglementations locales applicables. L'installation de la pompe doit prévoir une sécurité du moteur. La sécurité doit être ajustée en fonction de la puissance nominale du moteur. La tension d'alimentation doit être à $\pm 5\%$ de la tension nominale spécifiée sur la plaque signalétique du moteur.

Les moteurs monophasés doivent être raccordés aux deux bornes comme indiqué ci-dessous.

Schéma de câblage monophasé et triphasé :

* Le schéma ci-dessous ne doit pas prévaloir sur les schémas électriques du moteur.



La ligne électrique doit être équipée d'un dispositif de protection contre les courts-circuits et d'un dispositif DDFT (disjoncteur-détecteur de fuite à la terre) à haute sensibilité (30 mA), protégé par un fusible à action lente ou un interrupteur magnétothermique. Coupez l'alimentation électrique des câbles de la pompe quand vous les raccordez.

Veillez retirer les fils de plomb des bornes avant l'installation !

Vérifiez le sens de rotation des moteurs triphasés après chaque connexion. S'il ne correspond pas à la flèche sur la pompe, vous devez inverser deux connexions de phase dans le boîtier de raccordement. Chaque moteur doit être mis à la terre. **Les raccordements qui ne sont pas conformes aux consignes de sécurité mentionnées plus haut ne seront pas couverts par la garantie.**

INFORMATIONS SUR LA POMPE

3.6 - ENTRETIEN

La pompe est conçue pour fonctionner pendant de nombreuses années sans entretien. **Débranchez toujours l'alimentation électrique de la pompe avant de procéder à l'entretien.** Le remplacement du moteur électrique doit être effectué par un professionnel. Remplissez la crépine de la pompe avec de l'eau jusqu'au niveau du tuyau d'aspiration.

3.7 - DÉPANNAGE

La pompe ne s'amorce pas.

1. Pas d'eau dans la cuvette de filtre
2. Cuvette de filtre non serrée
3. Joint torique du couvercle endommagé
4. Niveau d'eau inférieur à l'écumoire
5. Panier de la cuvette de filtre ou de l'écumoire colmaté
6. Vanne fermée dans le système de tuyauterie
7. Fuite d'air dans la ligne d'aspiration

Le moteur ne tourne pas

1. Alimentation électrique coupée
2. Le disjoncteur s'est déclenché
3. La pompe est en mode arrêt d'un circuit contrôlé par une minuterie
4. Les raccordements des bornes du moteur sont incorrects
5. Arbre du moteur bloqué
6. La turbine est bloquée par des débris

Bas débit / pression du filtre élevée

1. Le filtre est sale
2. Étranglement dans la conduite de retour

Bas débit / basse pression du filtre

1. Panier de la cuvette de filtre ou de l'écumoire colmaté
2. Turbine obstruée
3. Fuite d'air dans la ligne d'aspiration
4. Étranglement dans la ligne d'aspiration
5. Rotation du moteur inversée (triphase uniquement)

Pompe bruyante

1. Fuite d'air dans l'aspiration
2. Matière étrangère dans le carter de la pompe
3. Cavitation

VOUS TROUVEREZ UNE LISTE ILLUSTRÉE DES PIÈCES DE RECHANGE À L'ADRESSE :

www.pentairpooleurope.com



PENTAIR INTERNATIONAL LLC,
Av. de Sévelin 20, CH-1004 - LAUSANNE, Suisse
WWW.PENTAIR.COM

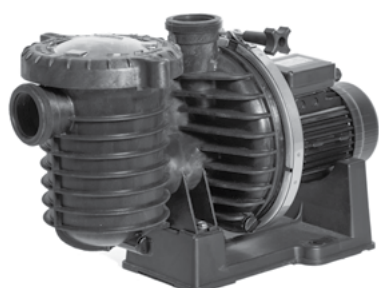
L'ensemble des marques et logos Pentair mentionnés sont la propriété de Pentair Inc. ou de ses filiales mondiales aux États-Unis et/ou dans d'autres pays. Les autres logos et marques déposées ou non sont la propriété de leurs propriétaires respectifs. Parce que nous améliorons constamment nos produits, Pentair se réserve le droit de changer ses caractéristiques sans avis préalable. Pentair offre l'égalité d'accès à l'emploi.

© 2020 Pentair. Tous droits réservés. Ce document peut être modifié sans avis préalable.

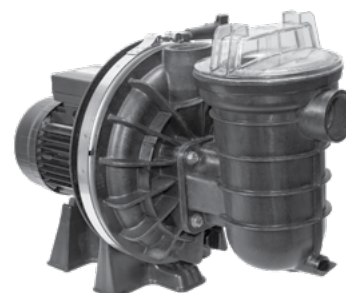


BOMBAS DE VELOCIDAD ÚNICA

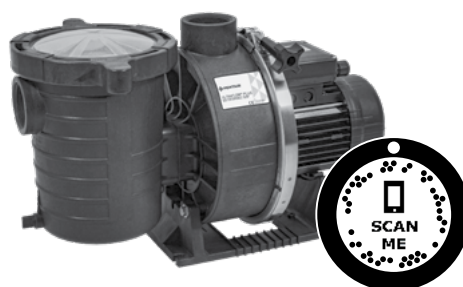
LA STA-RITE® HD



LA STA-RITE®



ULTRAFLOW®



WHISPERFLO®



SUPERFLO®



PANTERA™



GUÍA DE INSTALACIÓN Y DEL USUARIO

INSTRUCCIONES DE SEGURIDAD IMPORTANTES

LEA Y CUMPLA TODAS LAS INSTRUCCIONES / GUARDE ESTAS INSTRUCCIONES

P-INSB-PENT2

English

Français

Español

Deutsch

Italiano

Dutch

BOMBAS DE VELOCIDAD ÚNICA

Pentair le agradece la confianza depositada en la empresa y que haya adquirido una de nuestras bombas de velocidad única. Lea atentamente este manual de usuario para beneficiarse íntegramente de todas las funciones de estos productos. Guárdelo en lugar seguro para poder consultarlo siempre que lo necesite.



Declaración de conformidad

Directivas - Normativas armonizadas

Pentair International Sarl - Avenue de Sévelin 20 - 1004 Lausana, Suiza

Declaramos, bajo nuestra exclusiva responsabilidad, que los productos suministrados con este manual cumplen con las directivas:

Directiva	Normativa armonizada
2014/35/UE Baja tensión	EN 60335-1 ; EN 60335-2-41
2014/30/UE (EMC)	EN 61000-6-1 ; EN 61000-6-3 ; EN 55014-1 ; EN 55014-2
2019/125/EC regulación de diseño ecológico 640/2009	EN 60034-30
2011/65/UE (RoHS)	EN 50581



Persona autorizada para manejar documentación técnica

Pentair International S.à.r.l

Avenue de Sévelin 20

1004 Lausana, Suiza

Lausana, 2020 06 10

Jacques Van Bouwel

Director de ingeniería, Aquatic Systems
Europe

Especificaciones del producto:



Tratamiento de residuos de dispositivos electrónicos al término de su vida útil:

El símbolo del contenedor de basura con una cruz sobre las piezas principales del producto indica que no se deben tirar junto con los residuos domésticos. Se deben trasladar a un punto de recogida apto para reciclar dispositivos electrónicos (información disponible en el servicio de recogida de basuras local). Este producto contiene sustancias potencialmente peligrosas que pueden tener efectos adversos para el medio ambiente y la salud de las personas.

- El documento puede ser modificado sin aviso previo

Marcas comerciales y limitaciones de responsabilidad: Pantera™ UltraFlow®, SuperFlo®, Sta-Rite® o WhisperFlo® y Pentair son marcas comerciales y/o marcas comerciales registradas de Pentair o de sus sociedades filiales. Salvo que se indique lo contrario, los nombres y marcas de otros que pueden figurar en este documento no se utilizan para indicar una afiliación o aprobación entre los propietarios de estos nombres y marcas y Pentair. Esos nombres y marcas pueden ser marcas comerciales o marcas comerciales registradas de esas partes o terceros.

Guía de instalación y del usuario de bombas de velocidad única

SERVICIO AL CLIENTE / SOPORTE TÉCNICO

Si tiene alguna duda acerca de cómo pedir piezas de repuesto de Pentair Aquatic Systems™, ("Pentair") y productos para piscinas, utilice la siguiente información de contacto:

Atención al cliente

Atención al cliente. PISA, ITALIA (8:30 a.m. a 4:30 p.m. CET)
 +39 050716166 / +39 050716169
 orders.pooleu@pentair.com
 poolemea@pentair.com
 www.pentairpooleurope.com

Asistencia técnica

Correo electrónico: techsupport.poolemea@pentair.com
 Línea directa: +33 184280940

Índice

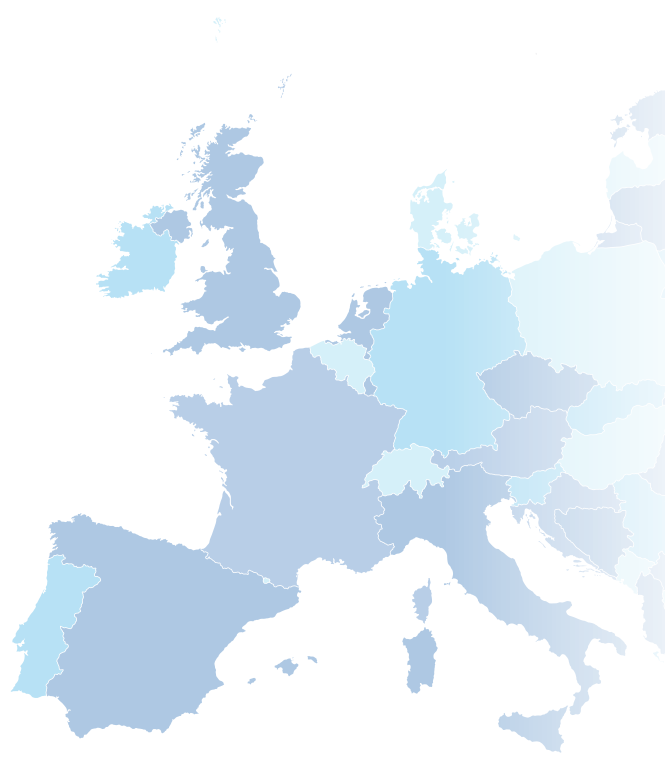
1. Instrucciones de seguridad y advertencias importantes sobre la bomba.....	04
2. Información sobre la bomba.....	05
2.1 Información general	05
2.2 Aplicación.....	06
2.3 Instalación.....	10
2.4 Inicio/Funcionamiento.....	15
2.5 Conexión eléctrica.....	15
2.6 Servicio	16

ACADEMY TRAINING TOUR

Obtenga experiencia técnica con la formación Pentair

Conozca los últimos avances en sistemas de automatización, bombas, calorífero, iluminación, filtración, recreación acuática y generación de cloro. La experiencia de nuestros instructores, nuestros materiales didácticos exclusivos y recursos de formación le ofrecerán técnicas adaptadas al mundo real y conocimientos para especificar, instalar, resolver problemas y ofrecer trabajos de servicio en los equipos de piscina más avanzados de la actualidad de forma rentable. Verdaderamente adquirirá gran cantidad de conocimientos técnicos.

Más información: techsupport.poolemea@pentair.com



ADVERTENCIAS E INSTRUCCIONES DE SEGURIDAD DE LA BOMBA IMPORTANTES



AVISO IMPORTANTE

Este documento puede ser modificado sin previo aviso.

Marcas comerciales y limitaciones de responsabilidad: Pantera™ UltraFlow®, WhisperFlo®, SuperFlo®, Sta-Rite® y Pentair son marcas comerciales y/o marcas comerciales registradas de Pentair o de sus sociedades filiales. Salvo que se indique lo contrario, los nombres y marcas de otros que pueden figurar en este documento no se utilizan para indicar una afiliación o aprobación entre los propietarios de estos nombres y marcas y Pentair. Esos nombres y marcas pueden ser marcas comerciales de esas partes o terceros.

A la atención del instalador: Esta guía contiene información importante sobre la instalación, la operación y el uso seguro de este producto. Esta información debe entregarse al propietario u operario de este equipo después de su

instalación o guardarse en la bomba o en un lugar próximo a esta.

A la atención del usuario: Este manual contiene información importante que le ayudará a utilizar y mantener este producto. Por favor, consérvelo para futura referencia.

Las advertencias e instrucciones de seguridad para las bombas Pentair Aquatic Systems y otros productos relacionados están disponibles en:

www.pentairpooleurope.com



¡LEA, SIGA Y GUARDE ESTAS INSTRUCCIONES!

Este es el símbolo de alerta de seguridad. Cuando usted vea este símbolo en su sistema o en este manual, busque una de las siguientes palabras de señalización y esté alerta a las lesiones personales potenciales que puedan producirse.



Advierte sobre peligros que, si se ignoran, pueden provocar importantes daños en la propiedad, lesiones personales graves e incluso la muerte.



Advierte sobre peligros que, de ignorarse, pueden provocar daños a la propiedad o lesiones personales.



NOTA: Indica instrucciones especiales no relacionadas con peligros potenciales.

Lea atentamente y respete todas las instrucciones de seguridad especificadas en este manual y en los equipos. Mantenga en buen estado las etiquetas de seguridad y sustitúyalas si se pierden o resultan dañadas.

Durante la instalación y el uso de este equipo eléctrico, se deben respetar en todo momento las precauciones de seguridad básicas, incluidas las siguientes:



No debe permitirse que los niños jueguen con el electrodoméstico.



RIESGO DE DESCARGA ELÉCTRICA

La bomba solo debe conectarse a enchufes correctamente instalados de acuerdo con las normativas y protegidos con un interruptor de seguridad FI (RCD, 30 mA).

CONEXIÓN AL CIRCUITO DE SUMINISTRO



Esta unidad solo se debe conectar a un circuito protegido por un RCD. El instalador deberá proporcionarle dicho RCD, que deberá comprobarse regularmente. Para comprobar el RCD pulse el botón de prueba. El RCD deberá interrumpir la corriente. Pulse el botón de reinicio. Se deberá restaurar la corriente. Si el RCD falla al ser utilizado de esta forma, significará que es defectuoso. Si el RCD interrumpe la corriente de la bomba sin haber pulsado el botón, se está produciendo una pérdida a tierra, lo que indica la posibilidad de una descarga eléctrica. ¡No utilice esta bomba! Desconecte la bomba y haga que la repare un técnico de servicio cualificado antes de volver a utilizarla.



Esta bomba está prevista para ser utilizada en piscinas fijas, y también se puede utilizar en bañeras de hidromasaje y spas si así está especificado. No se debe utilizar en piscinas portátiles.

Una piscina fija está construida en/sobre el suelo, o dentro de un edificio, de manera que no se puede desmontar inmediatamente para su almacenamiento.

Una piscina almacenable está construida de manera que pueda desmontarse fácilmente para su almacenamiento, y que pueda volver a montarse posteriormente.

ADVERTENCIAS E INSTRUCCIONES DE SEGURIDAD DE LA BOMBA IMPORTANTES

ADVERTENCIAS GENERALES

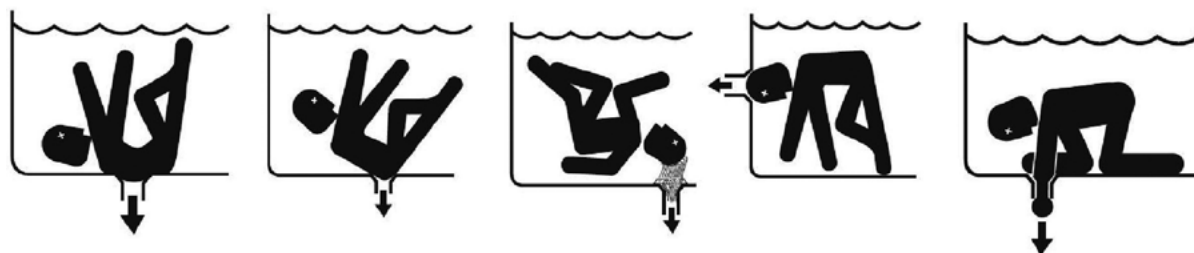
- No abra nunca el interior de la carcasa del motor del pistón. Contiene una batería de condensadores con una carga de 230 V CA, incluso cuando la unidad no está conectada a la corriente.
- La bomba no es sumergible.
- La bomba tiene capacidad para caudales altos; tenga cuidado vaya a instalarla y programarla limitando la potencia de la bomba con equipos antiguos o poco fiables.
- Antes de realizar las labores de mantenimiento de la bomba, **DESACTIVE** la bomba desconectando el circuito de corriente principal de la bomba.
- Este dispositivo no deberá ser utilizado por personas (incluidos niños) con discapacidad física, sensorial o mental, o falta de experiencia y conocimiento, a menos que estén siendo supervisados o hayan recibido instrucciones relativas al uso del dispositivo por parte de una persona responsable de su seguridad.



DE NO OBSERVARSE TODAS LAS INSTRUCCIONES Y ADVERTENCIAS PODRÍAN PRODUCIRSE LESIONES CORPORALES GRAVES E INCLUSO LA MUERTE. ESTA BOMBA DEBE SER INSTALADA Y MANIPULADA ÚNICAMENTE POR UN PROFESIONAL DE SERVICIOS DE PISCINAS CUALIFICADO. LOS INSTALADORES, OPERADORES Y PROPIETARIOS DE PISCINAS DEBEN LEER ESTAS ADVERTENCIAS Y ENTREGAR TODAS LAS INSTRUCCIONES DEL MANUAL, AL PROPIETARIO DE LA PISCINA.



RIESGO DE ATRAPAMIENTO POR SUCCIÓN: Manténgase alejado del desagüe principal y de todas las tomas de succión. Esta bomba produce grandes niveles de succión y crea un fuerte vacío en el desagüe principal.



RIESGO DE DESCARGA ELÉCTRICA O ELECTROCUCIÓN: LAS BOMBAS NECESITAN ALTA TENSIÓN LO CUAL PUEDE PROVOCAR DESCARGAS ELÉCTRICAS, QUEMADURAS E INCLUSO LA MUERTE.



DESCONECTEN SIEMPRE LA ELECTRICIDAD DE LA BOMBA DE LA PISCINA, MEDIANTE EL INTERRUPTOR DEL CIRCUITO, ANTES DE CUALQUIER INTERVENCIÓN EN LA BOMBA. DE NO HACERLO PODRÍA CAUSAR LA MUERTE O LESIONES GRAVES AL PERSONAL DE MANTENIMIENTO, A LOS USUARIOS DE LA PISCINA O A OTROS, DEBIDO A DESCARGAS ELÉCTRICAS.

El uso de cubiertas no aprobadas, o permitir el uso de la piscina cuando las cubiertas están agrietadas o rotas, puede provocar atrapamiento del cuerpo, las extremidades o el cabello, destripamiento o muerte.

La succión de un desagüe o salida puede provocar:

Atrapamiento de extremidades: cuando una extremidad es succionada o introducida en una abertura dando como resultado el atrapamiento mecánico o la tumefacción. Esto puede suceder cuando la cubierta del desagüe no está presente o está rota, suelta, agrietada o mal asegurada.

Atrapamiento del pelo: cuando el cabello se enreda en la cubierta de un desagüe, atrapando bajo el agua al bañista. Esto puede suceder cuando el caudal de la cubierta es demasiado pequeño para la bomba o bombas.

Atrapamiento del cuerpo: cuando una parte del cuerpo queda sujeta a la cubierta del desagüe atrapando bajo el agua al bañista. Esto puede suceder cuando la cubierta del desagüe no está presente o está rota, o si el caudal de la cubierta no es lo suficientemente grande para la bomba o bombas.

Evisceración / destripamiento: cuando una persona se coloca sobre el desagüe de una piscina (especialmente una piscina infantil) y la succión afecta directamente a los intestinos, provocando un daño intestinal grave. Esto puede suceder cuando la cubierta del desagüe no está presente, está suelta, agrietada o mal asegurada.

Atrapamiento mecánico: cuando alguna joya, bañador, adornos del cabello, dedos de la mano o del pie o nudillos quedan atrapados en la abertura de un desagüe o de una cubierta del desagüe. Esto puede suceder cuando la cubierta del desagüe no está presente o está suelta, agrietada o mal asegurada.

ADVERTENCIAS E INSTRUCCIONES DE SEGURIDAD DE LA BOMBA IMPORTANTES

NOTA: TODOS LOS ELEMENTOS DE FONTANERÍA RELACIONADOS CON LA FUNCIÓN DE SUCCIÓN DEBEN INSTALARSE CONFORME A LAS NORMATIVAS, ESTÁNDARES Y PAUTAS MÁS RECIENTES.

ADVERTENCIA

Para minimizar el riesgo de lesiones debido al riesgo de atrapamiento por succión:

- Cada cubierta de succión debe instalarse a una distancia mínima de un metro (1 m) la una de otra, medido desde el punto más cercano al punto más cercano.
- Inspeccione con regularidad todas las cubiertas por si tuvieran grietas, daños o desgaste avanzado.
- Si una cubierta está floja, agrietada, dañada, rota o se ha perdido, sustitúyala por una cubierta homologada adecuada.
- Sustituya las cubiertas del desagüe siempre que sea necesario. Las cubiertas del desagüe se deterioran con el tiempo debido a la exposición a la luz solar y a las inclemencias del tiempo.
- Evite acercarse al cabello, las extremidades o el cuerpo a las proximidades de una cubierta de succión o el desagüe de la piscina.
- Desactive las tomas de succión o reconfigúrelas como tomas de retorno.

ADVERTENCIA

La bomba requiere la instalación de un interruptor de parada de emergencia claramente etiquetado y situado en un lugar accesible y visible. Asegúrese de que los usuarios sepan dónde se encuentra y cómo utilizarlo en caso de emergencia.

ADVERTENCIA

Las bombas dimensionadas, instaladas inadecuadamente o utilizadas en aplicaciones no previstas para las mismas, pueden causar graves lesiones personales o la muerte.

Estos riesgos pueden incluir, sin limitación, descargas eléctricas, incendio, inundación, atrapamiento por succión, o lesiones graves, o daños a la propiedad causados por un fallo estructural de la bomba o de otros componentes del sistema

ADVERTENCIA

La bomba puede producir elevados niveles de succión en el interior del sistema de tuberías de succión. Este alto nivel de succión puede generar una situación de riesgo si una persona se acerca a las

aberturas de succión. Una persona puede sufrir lesiones físicas graves debidas a este elevado nivel de vacío, o puede quedar atrapada y ahogarse. Es absolutamente crítico que las tuberías de succión sean instaladas siguiendo las normativas nacionales y locales más recientes para piscinas.

Instalación de controles eléctricos en la base del equipo (interruptores encendido/apagado, programadores y centro de carga automatizada)

PRECAUCIÓN



Instale todos los controles eléctricos en la base del equipo, como interruptores de encendido/apagado, programadores, sistemas de control para permitir la manipulación (puesta en marcha, desconexión o mantenimiento) de cualquier bomba o filtro sin necesidad de que el usuario tenga que situar alguna parte de su cuerpo cerca o sobre la tapa del prefiltro, la tapa del filtro de la bomba las tapas de las válvulas. Esta instalación permitirá al usuario mantenerse alejado del filtro y de la bomba durante la puesta en marcha, la desconexión o el mantenimiento del filtro del sistema.

PELIGRO



PRESIÓN PELIGROSA: MANTÉNGASE ALEJADO DE LA BOMBA Y DEL FILTRO DURANTE LA PUESTA EN MARCHA

Los sistemas de circulación operan bajo alta presión. Cuando se realizan labores de mantenimiento en una pieza del sistema circulante (es decir, anillo de bloqueo, bomba, filtro, válvulas, etc.) puede entrar aire en el sistema y presurizarlo. El aire presurizado puede provocar que la cubierta de la carcasa de la bomba, la tapa del filtro y las válvulas se separen violentamente provocando lesiones personales graves e incluso la muerte. La tapa del depósito del filtro y la cubierta del prefiltro deben asegurarse correctamente para impedir que se separen violentamente. Manténgase alejado de todos los equipos del sistema de circulación al encender o poner en marcha la bomba.

Antes de realizar las labores de mantenimiento de los equipos, anote la presión del filtro. Compruebe que los controles se encuentren colocados de tal forma que el sistema no pueda ponerse en marcha de forma involuntaria durante el mantenimiento. Desconecte la alimentación de la bomba. **IMPORTANTE:** coloque la válvula manual de despresurización de aire del filtro en posición abierta y espere a que se descargue toda la presión del sistema.

Antes de poner el sistema en marcha, abra completamente la válvula manual de despresurización de aire y coloque todas las válvulas del sistema en la posición "abierta" para que el agua fluya libremente desde el depósito y de retorno al mismo. Manténgase alejado de todos los equipos y ponga en marcha la bomba. **IMPORTANTE:** no cierre la válvula manual de despresurización de aire del filtro hasta que no se haya descargado toda la presión de la válvula y aparezca un vapor de agua continuo. Observe el manómetro del filtro y compruebe que la presión no es superior a la que tenía antes del mantenimiento.

ADVERTENCIAS E INSTRUCCIONES DE SEGURIDAD DE LA BOMBA IMPORTANTES

INFORMACIÓN GENERAL DE INSTALACIÓN

- Todos los trabajos deben ser ejecutados por el personal de servicio cualificado y cumplir todas las normativas nacionales, estatales y locales.
- La instalación debe proporcionar un buen drenaje del compartimento de los componentes eléctricos.
- Estas instrucciones contienen información para diferentes modelos de bomba, por lo que algunas instrucciones pueden no ser aplicables a un modelo específico. Todos los modelos están destinados a ser utilizados en aplicaciones para piscina. La bomba funcionará correctamente solo si está dimensionada adecuadamente para la aplicación específica e instalada adecuadamente.
- Instalar una válvula de retención después de la instalación de la bomba evitará que la turbina se desenrolle, medida que se recomienda firmemente.
- Se requiere una unión equipotencial suficiente (mínimo recomendado $4,5 \text{ mm}^2$), de acuerdo con la normativa local, en todos los componentes metálicos, incluida la bomba de la piscina. Esto es necesario para la seguridad eléctrica, así como para reducir el riesgo de corrosión.

GUARDE ESTAS INSTRUCCIONES

3.1 - INFORMACIÓN GENERAL

Compruebe la caja de embalaje por si hubiera señales de daños en tránsito. Si la caja o algún componente de la bomba están dañados, notifíquese inmediatamente al transportista.

El incumplimiento de las instrucciones de seguridad puede provocar efectos negativos graves para la salud, lesiones graves e incluso la muerte. El incumplimiento de las instrucciones de seguridad invalidará todas las garantías y la responsabilidad por parte del fabricante.

Evite el funcionamiento en seco de la bomba, siempre que la bomba no esté llena de agua.

Esta bomba está equipada con un sello mecánico.

El incumplimiento de las instrucciones podría ocasionar daños en el sello del eje.

Siga las instrucciones de llenado de la bomba de acuerdo con el manual de instalación y el manual de instrucciones.

3.2 - APLICACIÓN

Usar exclusivamente para distribuir agua de piscina.

3.3 - INSTALACIÓN

Solo una bomba debidamente cualificada. Consulte la sección "Advertencias e instrucciones importantes de seguridad de la bomba" para obtener más información sobre la instalación y la seguridad.

UBICACIÓN

Nota: no instale esta bomba en un recinto exterior o bajo el borde de un jacuzzi o spa, a menos que se indique de ese modo.

Nota: asegúrese de que la bomba queda fijada mecánicamente a los apoyos del equipo.

Asegúrese de que la ubicación de la bomba cumple los siguientes requisitos:

1. Instale la bomba lo más cerca posible de la piscina o spa. Para reducir la pérdida por fricción y mejorar la eficacia, use tuberías de succión y de retorno cortas y directas.
2. Respete una distancia mínima de montaje de 1,5 m (5 pies) desde la pared interior de la piscina y spa.
3. Instale la bomba a una distancia mínima de 0,9 metros de la salida del calefactor.
4. No instale la bomba a una altura superior a 2,5 metros por encima del nivel del agua.
5. Instale la bomba en una ubicación bien ventilada y protegida de humedad excesiva (por ejemplo, bajantes pluviales, aspersores, etc.).
6. Instale la bomba con un espacio detrás, como mínimo de 7,6 cm para que el motor se pueda extraer fácilmente para mantenimiento y reparación. Consulte la Figura 1.

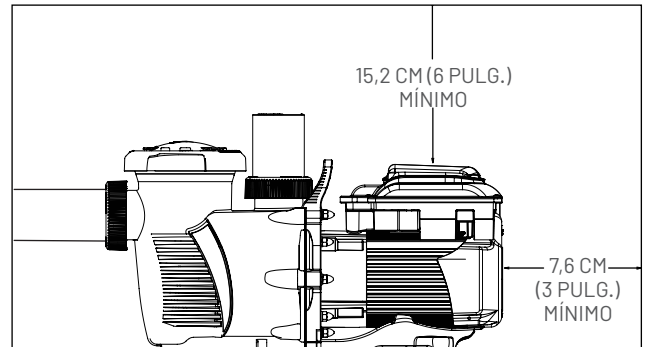


Figura 1: espacio libre vertical y trasero de la bomba

TUBERÍAS

1. Para la mejor instalación de las tuberías, le recomendamos que use un tamaño de tubería mayor.
2. El dimensionamiento del diámetro de los conductos del lado de succión de la bomba debe ser igual o superior al de retorno.
3. Las tuberías del lado de succión de la bomba deben ser lo más cortas que sea posible.
4. Para optimizar la instalación, Pentair recomienda montar una válvula en las líneas de succión y retorno de la bomba de forma que esta puede aislarse durante los trabajos de mantenimiento. Sin embargo, también recomendamos que cualquier válvula, codo o T instalada en la línea de succión no se encuentre a una distancia inferior a la parte frontal de la bomba a cinco (5) veces el diámetro de la línea de succión. Apoye independientemente la tubería cerca del conducto de aspiración y descarga de la bomba para reducir la tensión sobre esta. Evite apretar demasiado las conexiones de las tuberías. Utilice solo selladores de tuberías aptos para plástico. No utilice productos a base de petróleo. Es esencial que el conducto de succión esté exento de fugas de aire. El conducto de succión siempre debe ser, como mínimo, del mismo tamaño que la toma de succión de la bomba. Consulte la Figura 2.

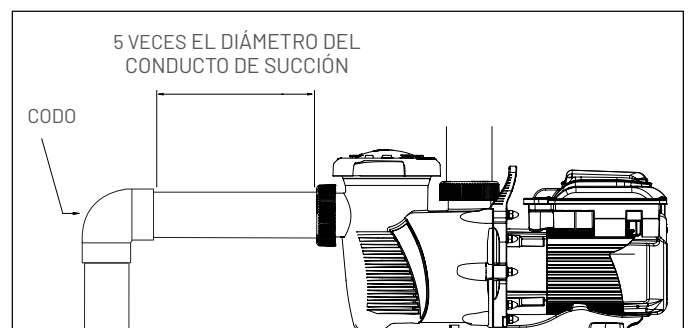


Figura 2: Conductos recomendados

Ejemplo: Un conducto de $\varnothing 50$ mm requiere una distancia de 250 mm en línea recta frente a la entrada de succión de la bomba. Esta medida ayudará a la bomba a cebarse más rápido y prolongar su vida útil.

Nota: NO instale codos de 90° directamente a la entrada o salida de la bomba.

INFORMACIÓN SOBRE LA BOMBA

ACCESORIOS Y VÁLVULAS

1. No instale codos de 90° directamente a la entrada de la bomba.
2. Los sistemas de succión sumergida, deben equiparse, por mantenimiento, con válvulas de compuerta en las tuberías de succión y descarga, pero la válvula de compuerta de succión no debe estar más cerca de cinco veces el diámetro del tubo de succión, como se ha descrito antes en esta sección.
3. Emplee una válvula de retención (válvula de no retorno) en la línea de descarga al utilizar esta bomba para cualquier aplicación que deba superar una altura significativa de bombeo tras la bomba.
4. Asegúrese de instalar válvulas de retención cuando la bomba esté instalada en paralelo con otra bomba. Esto ayudará a evitar la rotación inversa del rotor y el motor.

REQUISITOS ELÉCTRICOS

1. Instale todo el equipo respetando el código eléctrico nacional y todas las normativas y ordenanzas locales aplicables. Se requiere una unión equipotencial suficiente (mínimo recomendado 4,5 mm²), de acuerdo con las normativas locales, en todos los componentes metálicos, incluida la bomba de la piscina. Esto es necesario para la seguridad eléctrica, así como para reducir el riesgo de corrosión.
2. En el cableado fijo debe incluirse un medio de desconexión conforme a la normativa sobre cableado.
3. No monte los controles eléctricos directamente sobre la bomba.

3.1 - PUESTA EN MARCHA / FUNCIONAMIENTO

Puesta en marcha de la bomba

- Llene de agua el prefiltro de la bomba hasta el nivel de la tubería de succión.
- Engrase la junta tórica de la tapa con lubricante cada vez que la extraiga.
- Asegúrese de que la tapa del filtro esté bien cerrada antes de accionar la bomba.
- Ponga en marcha el motor y la bomba se cebará. El tiempo de cebado depende de la altura de succión y

la distancia a la piscina. Cinco minutos es un tiempo razonable.

- La bomba no elevará el agua más de 2,5 metros. Si la bomba no se ceba, consulte la guía de localización y resolución de problemas.
- Evite dañar los elementos de su piscina instalando productos de tratamiento de agua (cloro/PH/bombas/...) detrás de otros equipos.

Mantenimiento

La cesta del prefiltro debe extraerse y limpiarse semanalmente. Nunca accione la bomba sin la cesta del prefiltro.

Componente	Comprobación	Intervalo	Observaciones
Pictogramas de advertencia	Comprobación visual	Mensualmente	Sustituir si es necesario
Suministro de agua	Comprobar los conductos y conexiones	Mensualmente	Reparar de inmediato cualquier daño
Dispositivos de seguridad	Comprobación visual	Mensualmente	Garantizar una instalación/repación correcta
Estado general de la bomba	Comprobación visual	Cada medio año	Buscar signos de daño o corrosión
Estrías de refrigeración de motores eléctricos	Limpiar las estrías de refrigeración para mantener el efecto de refrigeración	Cada medio año	-
Equipos eléctricos	Comprobación	Mensualmente	Rectificar las conexiones sueltas o los cables quemados inmediatamente. Reparar todas las averías por un electricista cualificado
Carcasa del filtro preliminar	Comprobar si la carcasa tiene suciedad	Semanalmente	Limpiar a fondo toda la suciedad
Junta tórica de la cubierta del filtro preliminar	Comprobación visual	Cada medio año	-

Acondicionamiento para el invierno

- Proteja la bomba de heladas.
- Extraiga todos los tapones y vacíe la bomba y todas las tuberías.
- Guarde las tuberías y los tapones en la cesta del prefiltro.
- Guarde la bomba en un lugar seco y cálido.
- No envuelva el motor en plástico, ya que la condensación podría dañarla.
- En instalaciones en las que la bomba no puede vaciarse, una solución de propilenglicol al 40% y agua al 60% la protegerá hasta - 46 °C
- No utilice otras soluciones anticongelantes, puesto que son altamente tóxicas y dañarán la bomba.

INFORMACIÓN SOBRE LA BOMBA

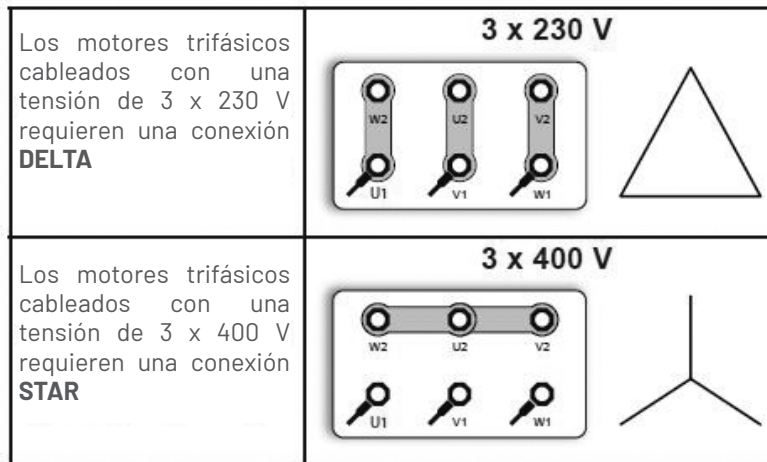
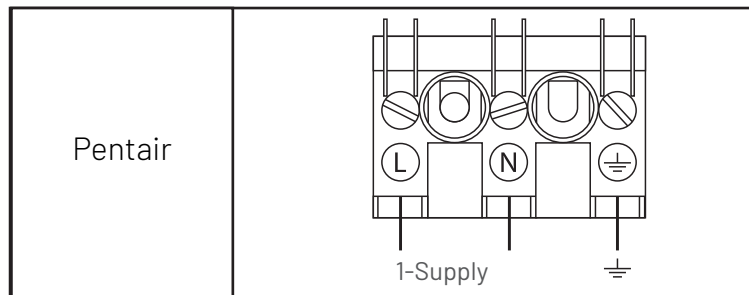
3.5 - CONEXIÓN ELÉCTRICA

El motor eléctrico debe ser cableado por un profesional de conformidad con estas instrucciones de instalación y todos los reglamentos locales vigentes. Al introducir la bomba, se debe prever una protección de seguridad del motor en la instalación. Esta protección de seguridad debe adaptarse a la potencia nominal del motor. La tensión de alimentación debe mantenerse dentro de $\pm 5\%$ de la tensión nominal especificada en la placa identificativa del motor.

Los motores monofásicos deben conectarse en ambos terminales, como se ilustra a continuación.

Diagrama de cableado monofásico y trifásico:

* El siguiente diagrama no tiene precedencia sobre el esquema eléctrico del propio motor.



La línea eléctrica debe equiparse con un dispositivo de protección contra cortocircuitos y un dispositivo de corriente residual RCD de alta sensibilidad (30 mA), protegido mediante un fusible de acción lenta o un interruptor magnetotérmico. Asegúrese de interrumpir el suministro eléctrico a los cables antes de conectar los cables de la bomba.

¡Retire los cables conductores de los terminales antes de la instalación!

Compruebe la dirección de giro de los motores trifásicos después de cada conexión. Si no se corresponde con la flecha dibujada en la bomba, será necesario intercambiar las conexiones bifásicas de la caja de conexiones. Cada motor debe estar siempre conectado a masa. **Las conexiones no conformes con las instrucciones de seguridad arriba indicadas no quedan cubiertas por la garantía.**

INFORMACIÓN SOBRE LA BOMBA

3.6 - SERVICIO

La bomba está diseñada para funcionar durante muchos años sin necesidad de mantenimiento. **Antes de iniciar el mantenimiento, desconecte siempre la fuente de alimentación de la bomba.** La sustitución del motor eléctrico debe realizarla un profesional. Llene de agua el prefiltro de la bomba hasta el nivel de la tubería de succión.

3.7 - SOLUCIÓN DE PROBLEMAS

La bomba no se ceba

1. No hay agua en el prefiltro
2. El prefiltro no está apretado
3. Junta tórica de la tapa dañada
4. Nivel de agua por debajo del desespumador
5. Cesta del prefiltro o del desespumador obstruida
6. Válvula cerrada en el sistema de tuberías
7. Fuga de aire en la conducción de succión

El motor no gira

1. El interruptor de alimentación está apagado
2. El disyuntor se ha activado
3. Bomba apagada en un circuito controlado por temporizador
4. Las conexiones de los terminales del motor son incorrectas
5. El eje del motor está bloqueado
6. El propulsor está obstruido por restos y suciedad

Flujo bajo / Presión del filtro alta

1. El filtro está sucio
2. Restricción en el conducto de retorno

Flujo bajo / Presión del filtro alta

1. Cesta del prefiltro o del desespumador obstruida
2. Propulsor atascado
3. Fuga de aire en la conducción de succión
4. Restricción en el conducto de succión
5. Rotación inversa del motor (solo trifásico)

Bomba ruidosa

1. Fuga de aire en la succión
2. Material extraño en la carcasa de la bomba
3. Cavitación

ENCONTRARÁ UNA LISTA ILUSTRADA DE PIEZAS DE REPUESTO EN:

www.pentairpooleurope.com



PENTAIR INTERNATIONAL LLC,
Av. de Sévelin 20, CH-1004 - LAUSANA, Suiza
WWW.PENTAIR.COM

Todas las marcas comerciales y logotipos de Pentair indicados son propiedad de Pentair Inc. o de sus filiales globales en EE. UU. y/u otros países. Las marcas comerciales registradas y no registradas y los logotipos de terceros son propiedad de sus respectivos propietarios. Debido a la continua mejora de nuestros productos y servicios, Pentair se reserva el derecho a cambiar las especificaciones sin previo aviso. Pentair es un empleador que ofrece igualdad de oportunidades.

© 2020 Pentair. Todos los derechos reservados. Este documento puede ser modificado sin previo aviso.

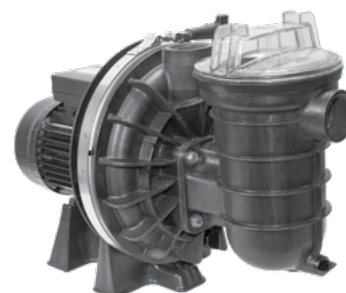


EINSTUFIGE PUMPEN

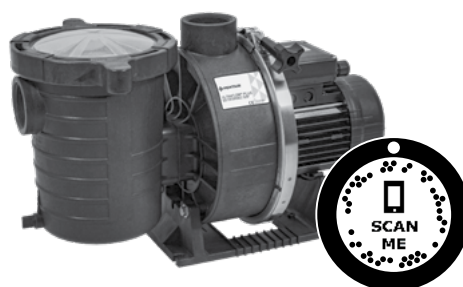
LA STA-RITE® HD



LA STA-RITE®



ULTRAFLOW®



WHISPERFLO®



SUPERFLO®



PANTERA™



MONTAGE- UND BEDIENUNGSANLEITUNG

WICHTIGE SICHERHEITSHINWEISE

LESEN UND BEFOLGEN SIE ALLE ANWEISUNGEN / BEWAHREN SIE DIESE ANWEISUNGEN AUF

P-INSB-PENT2

English

Français

Español

Deutsch

Italiano

Dutch

EINSTUFIGE PUMPEN

Pentair dankt Ihnen für Ihr Vertrauen in das Unternehmen und den Kauf einer unserer einstufigen Pumpen. Bitte lesen Sie diese Bedienungsanleitung sorgfältig durch, um alle Funktionen dieser Produkte voll nutzen zu können. Bewahren Sie sie sorgfältig auf, damit Sie sie jederzeit zu Rate ziehen können.



Konformitätserklärung

Richtlinien – Harmonisierte Normen

Pentair International Sarl – Avenue de Sévelin 20 – 1004 Lausanne – Schweiz

Wir erklären in eigener Verantwortung, dass die mit dieser Bedienungsanleitung gelieferten Produkte den folgenden Richtlinien entsprechen:

Richtlinie	Harmonisierte Norm
2014/35/EU Niederspannung	EN 60335-1; EN 60335-2-41
2014/30/EU (EMV)	EN 61000-6-1; EN 61000-6-3; EN 55014-1; EN 55014-2
2019/125/EG Richtlinie zur Festlegung von Ökodesign- Anforderungen 640/2009	EN 60034-30
2011/65/EU (RoHS)	EN 50581



Für technische Dokumentation autorisierte Person

Pentair International S.à.r.l

Avenue de Sévelin 20

1004 Lausanne – Schweiz

Lausanne, 2020 06 10

Jacques Van Bouwel

Engineering Mgr, Aquatic Systems Europe

Produktkenndaten:



Abfallbehandlung von elektronischen Geräten am Ende ihrer Lebensdauer:

Die durchgestrichene Mülltonne auf den Hauptteilen, aus denen das Produkt besteht, weist darauf hin, dass das Produkt nicht mit dem Hausmüll entsorgt werden darf. Es muss an einer geeigneten Sammelstelle für das Recycling elektronischer Geräte zurückgegeben werden (Informationen erhalten Sie bei den lokalen Müllentsorgungsstellen). Dieses Produkt enthält potenziell gefährliche Substanzen, die schädliche Auswirkungen auf die Umwelt und die menschliche Gesundheit haben können.

- Das Dokument kann ohne Vorankündigung geändert werden

Warenzeichen und Haftungsausschluss: Pantera™ UltraFlow®, SuperFlo®, Sta-Rite® oder WhisperFlo® und Pentair sind Warenzeichen und/oder eingetragene Warenzeichen von Pentair und/oder seinen verbundenen Unternehmen. Soweit nicht anders angeführt, werden Namen und Marken anderer Unternehmen, die in diesem Dokument verwendet werden, nicht dazu benutzt, eine Verbindung mit bzw. Vereinbarung zwischen den Inhabern dieser Namen und Marken und Pentair anzudeuten. Solche Namen und Marken können Warenzeichen oder eingetragene Warenzeichen dieser Parteien oder anderer sein.

Einstufige Pumpen – Montage- und Bedienungsanleitung

KUNDENDIENST/TECHNISCHER SUPPORT

Bei Fragen zur Bestellung von Ersatzteilen und Pool-Produkten von Pentair Aquatic Systems („Pentair“), haben Sie folgende Optionen zur Kontaktaufnahme:

Kundendienst

Kundendienst PISA, ITALIEN (8:30 bis 16:30 CET)
 +39 050716166 / +39 050716169
 orders.pooleu@pentair.com
 poolemea@pentair.com
 www.pentairpooleurope.com

Technischer Kundendienst

E-Mail: techsupport.poolemea@pentair.com
 Hotline: +33 (0)184280940

Inhaltsverzeichnis

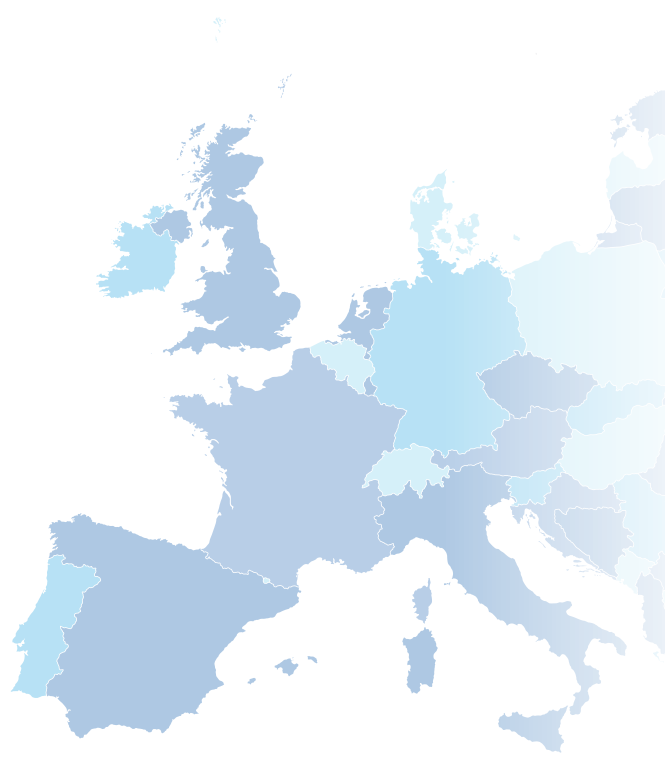
1. Wichtige Warnhinweise und Sicherheitsanweisungen zur Pumpe	04
2. Informationen zur Pumpe.....	05
2.1 Allgemeine Informationen	05
2.2 Anwendungsbereich.....	06
2.3 Installation	10
2.4 Start / Betrieb.....	15
2.5 Elektrische Verbindung.....	15
2.6 Instandhaltung	16

ACADEMY TRAINING TOUR

Erhalten Sie technische Expertise im Rahmen von Schulungen von Pentair

Lernen Sie die neuesten Entwicklungen bezüglich Automatisierungssysteme, Pumpen, Heizungen, Beleuchtung, Filtration, Wasserattraktionen und Chlorerzeugung kennen. Unsere erfahrenen Schulungsleiter, detaillierte Kursmaterialien und Trainingshilfen werden Sie mit den Techniken aus der echten Welt vertraut machen und Sie lernen wie Sie die aktuell modernste Poolausrüstung spezifizieren, installieren, instand setzen und warten... und das alles äußerst effizient. So eignen Sie sich wertvolles Know-how an.

Für weitere Informationen wenden Sie sich bitte an: techsupport.poolemea@pentair.com



WICHTIGE WARNHINWEISE UND SICHERHEITSANWEISUNGEN FÜR DIE PUMPE



WICHTIGER HINWEIS

Änderungen an diesem Dokument sind vorbehalten.

Warenzeichen und Haftungsausschluss: Pantera™ UltraFlow®, WhisperFlo®, SuperFlo®, Sta-Rite® und Pentair sind Warenzeichen und/oder eingetragene Warenzeichen von Pentair und/oder seinen verbundenen Unternehmen. Soweit nicht anders angeführt, werden Namen und Marken anderer Unternehmen, die in diesem Dokument verwendet werden, nicht dazu benutzt, eine Verbindung mit bzw. Vereinbarung zwischen den Inhabern dieser Namen und Marken und Pentair anzudeuten. Solche Namen und Marken können Warenzeichen dieser Parteien oder anderer sein.

Wichtiger Hinweis für den Installateur: Diese Anleitung enthält wichtige Informationen zur Installation, zum Betrieb und zur sicheren Benutzung dieses Produkts. Diese

Unterlagen müssen nach der Installation der Pumpe an den Besitzer und/oder Betreiber dieses Geräts weitergegeben oder an/in der Nähe der Pumpe aufbewahrt werden.

Wichtiger Hinweis für den Benutzer: Diese Bedienungsanleitung enthält wichtige Informationen zum Betrieb und zur Wartung dieses Produkts. Bitte bewahren Sie es für zukünftige Einsichtnahme auf.

Warnhinweise und Sicherheitsanweisungen für Pumpen von Pentair Aquatic Systems und andere damit im Zusammenhang stehende Produkte finden Sie unter www.pentairpooleurope.com



LESEN, BEFOLGEN UND BEWAHREN SIE DIESE ANWEISUNGEN AUF!

Dies ist das Sicherheitswarnsymbol. Wenn Sie dieses Symbol in Ihrem System oder im Handbuch sehen, achten Sie auf eines der folgenden Signalwörter und berücksichtigen Sie die Möglichkeit einer Verletzung.



Warnet vor Gefahren, die zum Tod, schweren Verletzungen oder erheblichen Sachschäden führen können, wenn sie ignoriert werden.



Warnet vor Gefahren, die zu leichten Verletzungen oder kleineren Sachschäden führen können oder könnten, wenn sie nicht beachtet werden.

HINWEIS: Weist auf besondere Anweisungen hin, die keine Gefahr darstellen.

Lesen Sie alle Sicherheitsanweisungen in diesem Handbuch und auf dem Gerät sorgfältig durch und befolgen Sie sie. Achten Sie auf einen guten Zustand der Sicherheitsaufkleber und ersetzen Sie diese, wenn sie fehlen oder beschädigt sind.

Bei der Installation und der Verwendung dieses Elektrogeräts müssen stets grundlegende Sicherheitsvorkehrungen getroffen werden. Dazu gehören unter anderem:



Kinder dürfen nicht mit dem Gerät spielen.



GEFAHR EINES STROMSCHLAGS

Die Pumpe darf nur an Steckdosen angeschlossen werden, die vorschriftsmäßig installiert und mit einem Fehlerstrom-Schutzschalter (FI; 30 mA) abgesichert sind.



AN DEN STROMKREIS ANSCHLIESSEN

Das Gerät darf nur an einen Stromkreis angeschlossen werden, der durch einen Fehlerstrom-Schutzschalter (FI) abgesichert ist. Ein solcher FI-Schalter muss vom Installateur beige stellt und regelmäßig getestet werden. Drücken Sie zum Testen des FI-Schalters auf die Prüftaste. Der FI muss die Stromversorgung unterbrechen. Drücken Sie die Rückstelltaste. Die Stromversorgung muss wiederhergestellt werden. Wenn der FI nicht auf diese Weise funktioniert, dann ist er defekt. Unterbricht der FI die Stromversorgung zur Pumpe, ohne dass die Prüftaste gedrückt wurde, fließt ein Erdstrom, was auf die potenzielle Gefahr eines Stromschlags

hinweist. Verwenden Sie diese Pumpe nicht! Trennen Sie die Pumpe vom Stromkreis und lassen Sie das Problem durch einen qualifizierten Wartungstechniker beheben, bevor Sie die Pumpe verwenden.



Diese Pumpe ist für den Einsatz von ganzjährigen Pools vorgesehen und kann auch bei Warmwannen und Schwimmbädern verwendet werden, insofern dies angegeben ist. Benutzen Sie sie nicht für lagerbare Pools.

Ein fest installierter Pool wird in den Boden eingelassen, auf dem Boden aufgestellt oder in ein Gebäude eingebaut, so dass er nicht ohne Weiteres zerlegt werden kann, um gelagert zu werden.

Ein lagerbarer Pool ist so konstruiert, dass er zur Lagerung zerlegt und wieder vollständig zusammgebaut werden kann.

WICHTIGE WARNHINWEISE UND SICHERHEITSANWEISUNGEN FÜR DIE PUMPE

ALLGEMEINE WARNHINWEISE

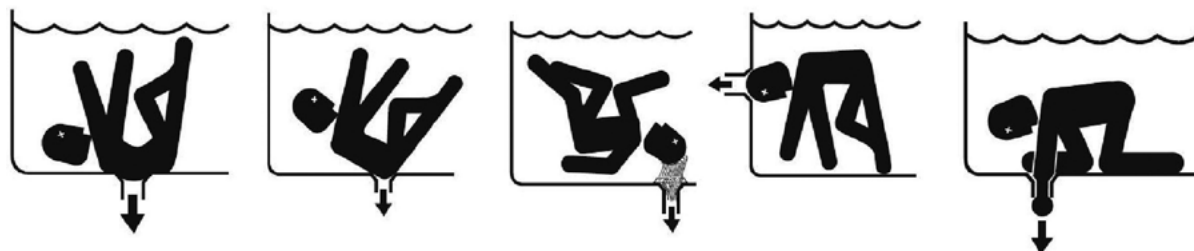
- Öffnen Sie auf keinen Fall das Gehäuse des Antriebsmotors. Es gibt eine Kondensatorbatterie, die mit 230 VAC aufgeladen ist, auch wenn keine Spannung anliegt.
- Die Pumpe ist keine Tauchpumpe.
- Die Pumpe ist für hohe Durchflussraten geeignet. Aus diesem Grund ist bei der Installation bzw. Programmierung Vorsicht geboten, wenn alte oder zweifelhafte Ausrüstungen zur Begrenzung des Leistungspotenzials der Pumpe verwendet werden.
- Schalten Sie vor der Wartung der Pumpe die Stromversorgung AB, indem Sie die Hauptstromversorgung der Pumpe unterbrechen.
- Dieses Gerät ist nicht für Personen (einschl. Kinder) mit eingeschränkten physischen, sensorischen oder mentalen Fähigkeiten, mangelnder Erfahrung und Kenntnis gedacht, es sei denn, sie werden beaufsichtigt oder haben durch eine für ihre Sicherheit verantwortliche Person eine Einweisung im Gebrauch des Geräts erhalten.



GEFAHR DIE NICHTBEACHTUNG DIESER ANWEISUNGEN UND WARNUNGEN KANN ZU SCHWEREN KÖRPERLICHEN VERLETZUNGEN ODER ZUM TOD FÜHREN. DIESE PUMPE DARF NUR VON EINEM QUALIFIZIERTEN POOL-SERVICETECHNIKER MONTIERT UND GEWARTET WERDEN. MONTEURE, POOL-BETREIBER UND -BESITZER MÜSSEN DIESE WARNHINWEISE LESEN, UND ALLE ANWEISUNGEN IM HANDBUCH MÜSSEN BEIM POOLBESITZER VERBLEIBEN.



GEFAHR ANSAUGGEFAHR: Halten Sie sich vom Hauptabfluss und von allen Ansaugöffnungen fern! Diese Pumpe hat eine hohe Saugkraft und erzeugt ein starkes Vakuum am Hauptabfluss.



GEFAHR GEFAHR EINES STROMSCHLAGS ODER ELEKTROSCHOCKS: PUMPEN BENÖTIGEN EINE HOHE SPANNUNG, DIE ZU SCHOCK, VERBRENNUNGEN ODER ZUM TOD FÜHREN KANN.



SCHALTEN SIE DIE POOLPUMPE IMMER AM LEISTUNGSSCHALTER DER PUMPE AUS, BEVOR SIE AN DER PUMPE ARBEITEN. DIE NICHTBEACHTUNG DIESER ANWEISUNG KANN EINEN STROMSCHLAG BEWIRKEN UND ZUM TOD BZW. ZU SCHWEREN VERLETZUNGEN VON SERVICETECHNIKERN, POOLBENUTZERN ODER ANDEREN PERSONEN FÜHREN.

Die Verwendung nicht zugelassener Abdeckungen oder die Gestattung der Benutzung des Pools oder Spas ohne Abdeckung oder mit gerissenen oder gebrochenen Abdeckungen kann zum Ansaugen des Körpers oder von Körperteilen, zum Verfangen von Haaren, Verstümmelung und/oder zum Tod führen.

Der Sog am Auslauf oder Auslass kann Folgendes bewirken:

Ansaugen von Körperteilen: Wenn ein Körperteil in eine Öffnung gesaugt oder gesteckt wird, bleibt es mechanisch stecken oder schwillt an. Diese Gefahr besteht, wenn eine Abflussabdeckung fehlt, gebrochen, lose, gerissen oder nicht ordnungsgemäß gesichert ist.

Verfangen von Haaren: Wenn sich das Haar in der Abflussabdeckung verfängt oder verknotet, wird der Schwimmer unter Wasser festgehalten. Diese Gefahr besteht, wenn der Durchsatz für die Pumpe oder Pumpen zu klein ist.

Ansaugen des Körpers: Wenn ein Teil des Körpers an der Abflussabdeckung angesaugt wird, wird der Schwimmer unter Wasser festgehalten. Diese Gefahr besteht, wenn die Abflussabdeckung fehlt oder gebrochen ist oder der Durchsatz für die Pumpe oder Pumpen zu klein ist.

Herausreißen von Gedärmen/Verstümmelung: Wenn eine Person auf einem Auslass in einem offenen Pool (vor allem in einem Planschbecken für Kinder) oder einem Spa sitzt und die Saugkraft unmittelbar auf die Eingeweide wirkt, können schwere Schäden an den Gedärmen auftreten. Diese Gefahr besteht, wenn eine Abflussabdeckung fehlt, gebrochen, lose, gerissen oder nicht ordnungsgemäß gesichert ist.

Mechanisches Ansaugen: Wenn Schmuckstücke, Badekleidung, Haarschmuck, Finger, Zehen oder Knöchel sich in einer Öffnung eines Auslasses oder einer Abflussabdeckung verfangen. Diese Gefahr besteht, wenn die Abflussabdeckung fehlt, gebrochen, lose, gerissen oder nicht ordnungsgemäß gesichert ist.

WICHTIGE WARNHINWEISE UND SICHERHEITSANWEISUNGEN FÜR DIE PUMPE

HINWEIS: ALLE SAUGROHRE MÜSSEN IN ÜBEREINSTIMMUNG MIT DEN GELTENDEN VORSCHRIFTEN UND BESTIMMUNGEN INSTALLIERT WERDEN.

⚠️ WARNUNG So verringern Sie das Risiko einer Verletzung durch Ansaugen:

- Alle Ansaugöffnungsabdeckungen müssen in einem Abstand von mindestens 1 m voneinander, gemessen zwischen den beiden am nächsten zueinander liegenden Punkten, angeordnet werden.
- Kontrollieren Sie alle Abdeckungen in regelmäßigen Abständen auf Risse, Beschädigungen und fortgeschrittenen Verschleiß.
- Wenn eine Abdeckung lose wird, Risse oder Beschädigungen aufweist oder fehlt, muss sie durch eine passende zertifizierte Abdeckung ersetzt werden.
- Abflussabdeckungen falls nötig ersetzen. Pool-Abflussabdeckungen altern mit der Zeit, da sie der Sonneneinstrahlung und der Witterung ausgesetzt sind.
- Haare, Gliedmaßen oder der Körper dürfen nicht zu nahe an Ansaugöffnungsabdeckungen, Poolabläufe oder Auslässe kommen.
- Deaktivieren Sie Auslässe mit Sog oder wandeln Sie sie in Rückeinlässe um.

⚠️ WARNUNG Ein entsprechend gekennzeichnete Not-Aus-Schalter für die Pumpe muss klar erkennbar an einer leicht zugänglichen und sinnvollen Stelle vorgesehen werden. Stellen Sie sicher, dass die Benutzer wissen, wo er ist und wie sie ihn in einem Notfall bedienen müssen.

⚠️ WARNUNG Eine nicht vorschriftsmäßige Auslegung, Montage oder Verwendung der Pumpe für einen anderen als den vorgesehenen Zweck kann zu schweren Verletzungen oder sogar zum Tod führen.

Diese Gefahren umfassen unter anderem Stromschlag, Brand, Überschwemmung, Ansaugen oder schwere Verletzungen oder Sachschäden durch einen strukturellen Fehler an der Pumpe oder anderen Systembauteilen.

⚠️ WARNUNG Die Pumpe kann eine starke Saugwirkung auf der Ansaugseite der Rohranlage erzeugen. Diese hohen Saugkräfte können eine Gefahr darstellen, wenn Personen in die Nähe der Saugöffnungen kommen. Dieses hohe Vakuum kann dazu führen, dass Personen schwer verletzt oder fest gehalten werden und ertrinken. Es ist äußerst wichtig, dass die Saugleitungen in Übereinstimmung mit den geltenden nationalen und lokalen Vorschriften für Schwimmbäder installiert werden.

Für die Installation von elektrischen Steuerungen auf der Geräteplatte (EIN/AUS-Schalter, Timer und Automatisierungs-Center):

⚠️ ACHTUNG



Installieren Sie alle elektrischen Bedienelemente wie EIN/AUS-Schalter, Zeitschaltuhren, Regelungssysteme so auf der Geräteplatte, dass der Betrieb (Start, Abschalten oder Wartung) der Pumpen oder Filter erfolgen kann, ohne dass der Benutzer mit einem Teil seines Körpers über die Pumpensieb-abdeckung, den Filterdeckel oder die Ventilverschlüsse reichen muss oder in ihre Nähe kommt. Diese Montage muss es dem Benutzer ermöglichen, beim Starten, Abschalten oder Warten des Systemfilters genug Abstand zum Filter und zur Pumpe zu halten.

⚠️ GEFAHR



GEFÄHRLICHER DRUCK: HALTEN SIE WÄHREND DES STARTS ABSTAND ZU PUMPE UND FILTER

Umwälzanlagen arbeiten unter hohem Druck. Wenn ein Teil der Umwälzanlage (d. h. Sicherungsring, Pumpe, Filter, Ventile usw.) gewartet wird, kann Luft

in das System gelangen und zu einem Druckaufbau führen. Durch Druckluft können das Pumpengehäuse, die Abdeckung, der Filterdeckel und die Ventile abgerissen werden, was zu schweren Verletzungen oder sogar zum Tod führen kann. Der Deckel des Filterbehälters und die Siebabdeckung müssen ordnungsgemäß gesichert werden, um zu verhindern, dass sie abgerissen werden. Halten Sie beim Einschalten oder Starten der Pumpe einen sicheren Abstand zu allen Teilen der Umwälzanlage.

Notieren Sie vor der Wartung des Geräts den Filterdruck. Stellen Sie sicher, dass alle Bedienelemente so eingestellt sind, dass ein unbeabsichtigter Start des Systems während der Wartungsarbeiten nicht möglich ist. Schalten Sie die komplette Stromversorgung zur Pumpe ab. **WICHTIG:** Positionieren Sie das manuelle Entlüftungsventil des Filters in geöffneter Stellung und warten Sie, bis der gesamte Druck aus dem System entwichen ist.

Öffnen Sie das manuelle Entlüftungsventil vollständig, bevor Sie das System starten, und stellen Sie alle Systemventile in die Position „Offen“, damit das Wasser ungehindert aus dem Tank und wieder zurückfließen kann. Halten Sie einen sicheren Abstand zu allen Geräten ein und starten Sie die Pumpe. **WICHTIG:** Schließen Sie das manuelle Filterentlüftungsventil erst, wenn der Druck aus dem Ventil abgelassen worden ist und das Wasser gleichmäßig fließt. Beobachten Sie das Filtermanometer und stellen Sie sicher, dass der Druck nicht höher ist als vor der Wartung.

WICHTIGE WARNHINWEISE UND SICHERHEITSANWEISUNGEN FÜR DIE PUMPE

ALLGEMEINE INFORMATIONEN ZUR MONTAGE

- Alle Arbeiten sind von einem qualifizierten Service-Techniker auszuführen und müssen sämtlichen nationalen, regionalen und lokalen Vorschriften entsprechen.
- Führen Sie die Montage so aus, dass der Abfluss von Wasser aus dem Schacht für elektrische Bauteile gewährleistet ist.
- Diese Anweisungen enthalten Informationen für verschiedene Pumpenmodelle. Daher kann es sein, dass einige Anweisungen für ein spezielles Modell nicht zutreffen. Alle Modelle sind für Schwimmbad-Anwendungen vorgesehen. Die Pumpe arbeitet nur korrekt, wenn sie für die spezielle Anwendung ausgelegt und ordnungsgemäß montiert ist.
- Der Einbau eines Rückschlagventils nach der Installation der Pumpe verhindert das Abwickeln des Laufrads und wird dringend empfohlen;
- Für alle Metallkomponenten des Pools, einschließlich der Poolpumpe, ist ein ausreichender Potentialausgleich (mind. 4,5 mm² empfohlen) gemäß den örtlichen Vorschriften erforderlich. Dies ist für die elektrische Sicherheit sowie zur Reduzierung des Korrosionsrisikos erforderlich.

BEWAHREN SIE DIESE HINWEISE AUF.

3.1 - ALLGEMEINE INFORMATIONEN

Überprüfen Sie die Verpackung auf etwaige Beschädigungen aufgrund von unachtsamer Behandlung während des Transports. Informieren Sie bei Beschädigungen am Karton oder an Pumpenteilen unverzüglich den Spediteur.

Die Nichtbeachtung der Sicherheitsanweisungen kann zu ernststen Gesundheitsschäden oder sogar zu schweren oder tödlichen Verletzungen führen. Die Nichtbeachtung der Sicherheitsanweisungen führt in jedem Fall zum Erlöschen aller Gewährleistungen und jeglicher Haftung seitens des Herstellers.

Vermeiden Sie das Trockenlaufen der Pumpe, solange die Pumpe nicht mit Wasser gefüllt ist.

Diese Pumpe ist mit einer mechanischen Gleitringdichtung ausgestattet.

Eine Beschädigung der Wellendichtung könnte die Ursache für die Nichtbeachtung der Anweisungen sein.

Bitte befolgen Sie die Anweisungen zum Auffüllen der Pumpe gemäß dem Installations- und Betriebshandbuch.

3.2 - ANWENDUNG

Nur zur Umwälzung des Pool-Wassers verwenden.

3.3 - INSTALLATION

Nur eine geeignete Pumpe. Weitere Installationsanweisungen und Sicherheitsinformationen finden Sie auf den Seiten unter „Wichtige Warnhinweise und Sicherheitsanweisungen zur Pumpe“.

MONTAGESTELLE

Hinweis: Diese Pumpe darf nur in einer Außenverkleidung oder unter der Einfassung eines Whirlpools oder Spas montiert werden, wenn sie dafür entsprechend vorgesehen ist.

Hinweis: Die Pumpe muss mechanisch auf der Geräteplatte gesichert sein.

Die Montagestelle der Pumpe muss folgenden Anforderungen entsprechen:

1. Pumpe so nahe wie möglich am Pool oder Spa installieren. Kurze, direkte Saug- und Rückführleitungen verwenden, um Reibungsverluste zu verringern und den Wirkungsgrad zu erhöhen.
2. Pumpe mindestens 1,5 m von der Innenseite der Pool- oder Spa-Wand installieren.
3. Pumpe min. 0,9 m (3 ft.) vom Heizauslass entfernt installieren.
4. Pumpe nicht höher als 2,5 m über dem Wasserspiegel installieren.
5. Pumpe an einem gut belüfteten Ort, geschützt vor übermäßiger Feuchtigkeit (d. h. Regen, Dachrinneablauf, Sprinkler, usw.) installieren.
6. Pumpe hinten mit einem Abstand von min. 7,6 cm installieren, so dass der Motor für Wartungs- und Reparaturzwecke leicht ausgebaut werden kann. Siehe Abbildung 1.

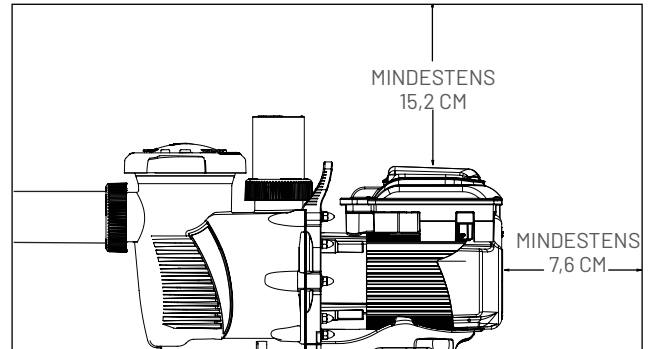


Abbildung 1: Pumpenrückseite und vertikales Spiel

VERROHRUNG

1. Für eine bessere Poolinstallation wird die Verwendung von Rohren mit einem größeren Durchmesser empfohlen.
2. Die Verrohrung auf der Ansaugseite der Pumpe muss einen gleich großen oder größeren Durchmesser haben als die Rücklaufleitung.
3. Die Rohrleitungen auf der Ansaugseite müssen so kurz wie möglich sein.
4. Pentair empfiehlt für die meisten Installationen den Einbau eines Ventils sowohl auf der Pumpenansaugseite als auch in der Rücklaufleitung, damit die Pumpe während einer vorgesehenen Wartung isoliert werden kann. Wir empfehlen jedoch auch, ein Ventil, einen Winkel oder ein T-Stück in der Ansaugleitung nicht näher an der Vorderseite der Pumpe zu montieren, als in einem Abstand, der dem fünffachen (5) Durchmesser der Ansaugleitung entspricht. Das Rohr sollte in der Nähe des Saug- und Druckstutzens der Pumpe abgestützt werden, um die Belastung auf die Pumpe zu verringern. Die Rohrverbindungen nicht zu fest anziehen. Verwenden Sie nur Dichtstoffe für Kunststoffe. Verwenden Sie keine Produkte auf Erdölbasis. Die Saugleitung muss unbedingt dicht sein. Die Saugleitung muss immer mindestens die gleiche Größe haben wie die Saugöffnung der Pumpe. Siehe Abbildung 2.

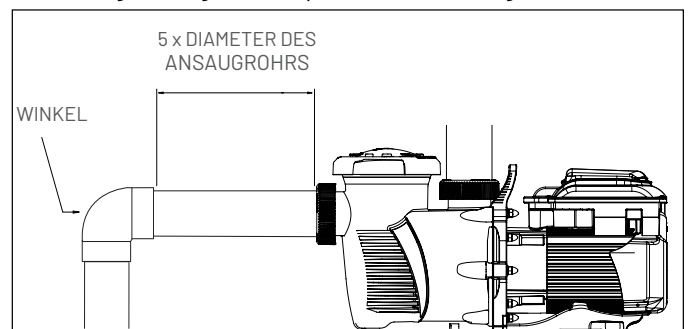


Abbildung 2: Empfohlene Verrohrung

Beispiel: Ein Rohr mit einem Durchmesser von 50 mm benötigt einen geraden Rohrverlauf von 250 mm vor der Ansaugöffnung der Pumpe. Dadurch kann die Pumpe schneller ansaugen und hat eine längere Lebensdauer.

Hinweis: KEINE 90°-Winkel direkt in den Pumpenein- oder -auslass einbauen.

INFORMATIONEN ZUR PUMPE

FITTINGS UND VENTILE

1. Keine 90°-Winkel direkt in den Pumpeneinlass einbauen.
2. Bei Zulaufsystemen sind für Wartungszwecke in den Saug- und Druckleitungen Schieber vorzusehen, wobei der Schieber in der Saugleitung in einem Abstand angebracht werden muss, der mindestens dem fünffachen Durchmesser der Saugleitung entspricht, wie in diesem Abschnitt beschrieben.
3. Verwenden Sie ein Rückschlagventil in der Abflussleitung, wenn Sie diese Pumpe für Anwendungen einsetzen, in denen zur Verrohrung nach der Pumpe eine spürbare Höhe zu überwinden ist.
4. Wenn die Verrohrung parallel zu einer anderen Pumpe verläuft, müssen Rückschlagventile installiert werden. Dadurch wird ein Anlaufen des Laufrads und Motors in der falschen Richtung vermieden.

ELEKTRISCHE ANFORDERUNGEN

1. Installieren Sie die Ausrüstung nach Maßgabe des National Electrical Code und allen vor Ort geltenden Vorschriften und Verordnungen. Für alle Metallkomponenten des Pools, einschließlich der Poolpumpe, ist ein ausreichender Potentialausgleich (mind. 4,5 mm² empfohlen) gemäß den örtlichen Vorschriften erforderlich. Dies ist für die elektrische Sicherheit sowie zur Reduzierung des Korrosionsrisikos erforderlich.
2. In der festen Verdrahtung muss gemäß den Verdrahtungsvorschriften eine Trennvorrichtung vorgesehen werden.
3. Montieren Sie die elektrischen Steuerungen nicht direkt über der Pumpe.

3.4 - START / BETRIEB

Starten der Pumpe

- Füllen Sie das Pumpensieb bis zur Höhe der Saugleitung mit Wasser.
- Schmieren Sie den O-Ring des Deckels bei jedem Abnehmen mit Schmiermittel.
- Vergewissern Sie sich, dass der Siebdeckel ordnungsgemäß geschlossen ist, bevor Sie die Pumpe einschalten.
- Schalten Sie den Motor ein, die Pumpe wird angesaugt. Die Ansaugzeit ist abhängig vom Ansaughub

und von der Entfernung zum Pool. Gewöhnlich dauert dies fünf Minuten.

- Die maximale Förderhöhe der Pumpe beträgt 2,5 Meter. Wenn die Pumpe nicht ansaugt, siehe Anleitung zur Fehlerbehebung.
- Vermeiden Sie Beschädigungen Ihrer Pool-Produkte, indem Sie Wasseraufbereitungsprodukte (Chlor/PH/Pumpen/...) hinter anderen Produkten installieren.

Wartung

Der Siebkorb sollte wöchentlich entfernt und gereinigt werden. Betreiben Sie die Pumpe nie ohne den Siebkorb.

Bauteil	Prüfung	Intervall	Anmerkungen
Warnpiktogramme	Sichtprüfung	Monatlich	Bei Bedarf austauschen
Wasserzulauf	Leitungen und Verbindungen prüfen	Monatlich	Jeden Schaden sofort beheben
Sicherheitsvorrichtungen	Sichtprüfung	Monatlich	Korrekte Installation/Nachrüstung sicherstellen
Allgemeiner Zustand der Pumpe	Sichtprüfung	Halbjährlich	Auf jegliche Korrosion oder Beschädigung achten
Kühlrippen der Elektromotoren	Die Kühlrippen reinigen, um den Kühlungseffekt beizubehalten	Halbjährlich	-
Elektrische Ausrüstung	Prüfung	Monatlich	Lose Verbindungen oder versengte Kabel sofort beheben. Alle Fehler von einem qualifizierten Elektriker beheben lassen
Vorläufiges Filtergehäuse	Gehäuse auf Verschmutzung prüfen	Wöchentlich	Alle Verschmutzungen gründlich entfernen
O-Ring im Vorfilterdeckel	Sichtprüfung	Halbjährlich	-

Überwinterung

- Pumpe vor dem Einfrieren schützen.
- Alle Stopfen entfernen und die Pumpe und alle Rohrleitungen entleeren.
- Abflüsse und Stopfen im Siebkorb aufbewahren.
- Die Pumpe in einen trockenen und warmen Raum bringen.
- Den Motor nicht mit einer Kunststoffhülle umwickeln, da Kondenswasser die Pumpe beschädigen kann.
- In Anlagen, in denen die Pumpe nicht entleert werden kann, schützt eine 40%ige Propylenglykol-, 60%ige Wasserlösung bis -46 °C.
- Keine anderen Frostschutzlösungen verwenden; diese sind alle hochgiftig und beschädigen die Pumpe.

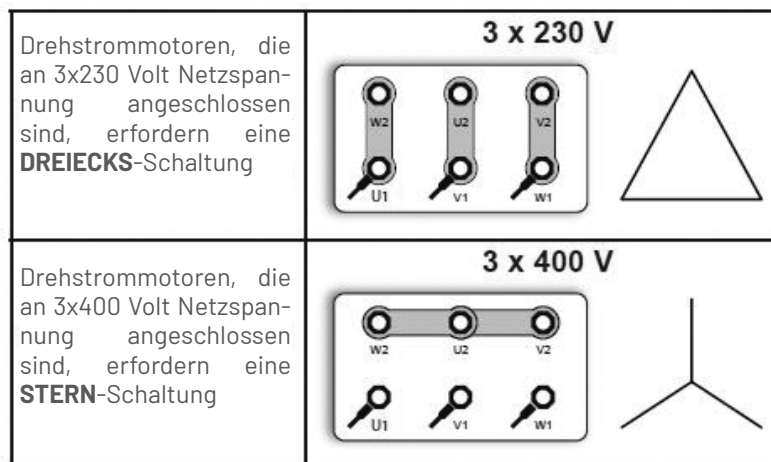
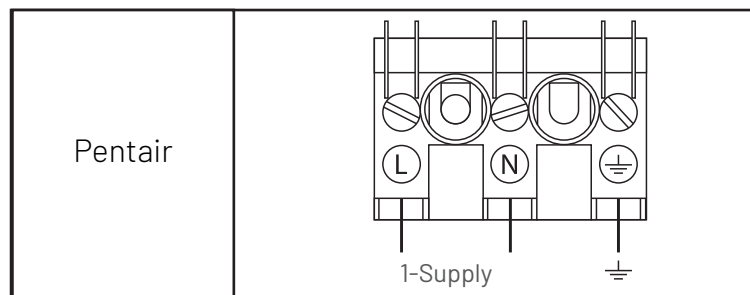
3.5 - ELEKTRISCHE VERBINDUNG

Der Elektromotor muss von einem Fachmann gemäß dieser Installationsanleitung und allen anwendbaren örtlichen Vorschriften verdrahtet werden. Bei der Installation der Pumpe muss eine Motorsicherung vorgesehen werden. Die Sicherheit muss auf die Nennleistung des Motors abgestimmt werden. Die Versorgungsspannung sollte innerhalb von $\pm 5\%$ der auf dem Typenschild des Motors angegebenen Nennspannung liegen.

Einphasenmotoren sollten an den beiden Klemmen wie unten angegeben angeschlossen werden.

Einphasiger und dreiphasiger Schaltplan:

*** Das nachfolgende Diagramm hat keine Priorität gegenüber dem elektrischen Diagramm auf dem Motor selbst!**



Die Stromleitung muss mit einer Kurzschluss-Schutzvorrichtung und einem Fehlerstrom-Schutzschalter (FI) mit hoher Empfindlichkeit (30 mA) ausgestattet sein, der durch eine träge Sicherung oder einen magnetothermischen Schalter geschützt ist. Achten Sie darauf, dass Sie die Stromversorgung zu den Kabeln unterbrechen, wenn Sie die Kabel der Pumpe anschließen.

Bitte entfernen Sie vor der Installation die Leitungsdrähte von den Klemmen!

Bitte prüfen Sie nach jedem Anschluss die Drehrichtung von Drehstrommotoren. Wenn dies nicht mit dem Pfeil auf der Pumpe übereinstimmt, müssen zwei Phasenanschlüsse in der Anschlussdose vertauscht werden. Jeder Motor muss permanent geerdet sein. **Anschlüsse, die nicht den oben genannten Sicherheitshinweisen entsprechen, sind nicht von der Garantie gedeckt.**

INFORMATIONEN ZUR PUMPE

3.6 - INSTANDHALTUNG

Die Pumpe ist für einen langjährigen, wartungsfreien Betrieb ausgelegt. **Trennen Sie vor Wartungsarbeiten stets die Stromversorgung zur Pumpe.** Der Austausch des Elektromotors muss von einem Fachmann vorgenommen werden. Füllen Sie das Pumpensieb bis zur Höhe der Saugleitung mit Wasser.

3.7 - TROUBLESHOOTING

Pumpe saugt nicht an

1. Kein Wasser im Siebtopf
2. Siebtopf ist nicht dicht
3. O-Ring des Deckels beschädigt
4. Wasserstand liegt unterhalb des Skimmers
5. Sieb- oder Skimmerkorb verstopft
6. Geschlossenes Ventil im Rohrleitungssystem
7. Luftleck in der Saugleitung

Motor dreht sich nicht

1. Netzschalter ist ausgeschaltet
2. Leitungsschutzschalter hat ausgelöst
3. Pumpe ist im Aus-Zustand einer zeitgesteuerten Schaltung
4. Motorklemmenanschlüsse sind falsch
5. Motorwelle ist gesperrt
6. Die Welle ist durch Trümmer gesperrt

Niedriger Durchfluss/hoher Filterdruck

1. Filter ist schmutzig
2. Verengung in der Rückleitung

Niedriger Durchfluss/niedriger Filterdruck

1. Sieb- oder Skimmerkorb ist verstopft
2. Welle verstopft
3. Luftleck in der Saugleitung
4. Verengung in der Saugleitung
5. Rückwärtsdrehung des Motors (nur dreiphasig)

Geräuschvolle Pumpe

1. Luftleck in der Saugleitung
2. Fremdkörper im Pumpengehäuse
3. Kavitation

EINE ILLUSTRIERTE ERSATZTEILLISTE FINDEN SIE UNTER:

www.pentairpooleurope.com



PENTAIR INTERNATIONAL LLC,
Av. de Sévelin 20, CH-1004 - LAUSANNE, Schweiz
WWW.PENTAIR.COM

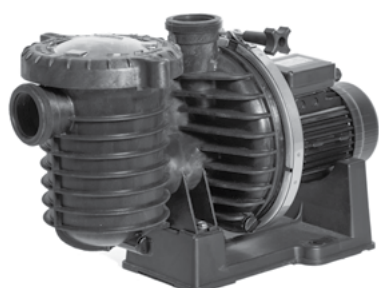
Alle angegebenen Pentair-Marken und -Logos sind Eigentum von Pentair Inc. oder seiner weltweiten Tochtergesellschaften in den USA und/oder anderen Ländern. Eingetragene oder nicht eingetragene Warenzeichen und Logos von Drittherstellern sind Eigentum ihrer jeweiligen Eigentümer. Die Produkte und Leistungen von Pentair werden ständig optimiert. Daher behält Pentair sich das Recht auf Änderungen ohne vorherige Ankündigung vor. Pentair ist ein Unternehmen, das Chancengleichheit fördert.

© 2020 Pentair. Alle Rechte vorbehalten. Änderungen an diesem Dokument sind vorbehalten.

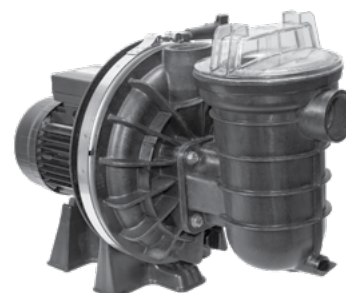


POMPE A VELOCITÀ SINGOLA

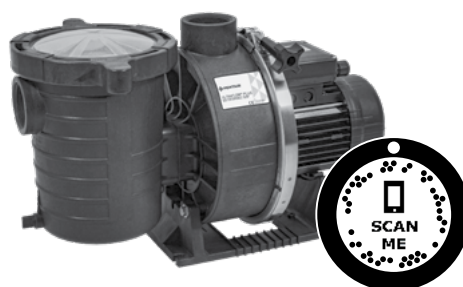
LA STA-RITE® HD



LA STA-RITE®



ULTRAFLOW®



WHISPERFLO®



SUPERFLO®



PANTERA™



ISTRUZIONI PER L'INSTALLAZIONE E L'USO

NORME DI SICUREZZA IMPORTANTI

LEGGERE E ATTENERSI A TUTTE LE ISTRUZIONI / CONSERVARE LE PRESENTI ISTRUZIONI

P-INSB-PENT2

English

Français

Español

Deutsch

Italiano

Dutch

POMPE A VELOCITÀ SINGOLA

Pentair ti ringrazia per aver riposto la tua fiducia nell'azienda e per avere acquistato una delle nostre pompe a velocità singola. Si prega di leggere attentamente il presente manuale utente per trarre massimo vantaggio da tutte le funzioni di questi prodotti. Si prega di conservarlo con cura, in modo che possa essere consultato in qualsiasi momento.



Dichiarazione di conformità

Direttive - Standard armonizzati

Pentair International Sarl - Avenue de Sévelin 20 - 1004 Losanna - Svizzera

Dichiariamo, sotto la nostra responsabilità, che i prodotti forniti con il presente manuale sono conformi alle direttive:

Direttiva	Standard armonizzato
2014/35/UE Bassa tensione	EN 60335-1 ; EN 60335-2-41
2014/30/UE (EMC)	EN 61000-6-1 ; EN 61000-6-3 ; EN 55014-1 ; EN 55014-2
2019/125/EC norma di progettazione ecocompatibile 640/2009	EN 60034-30
2011/65/UE (RoHS)	EN 50581



Persona autorizzata per la documentazione tecnica

Pentair International S.à.r.l

Avenue de Sévelin 20

1004 Losanna, Svizzera

Losanna, 2020 06 10

Jacques Van Bouwel

Engineering Mgr, Aquatic Systems Europe

Specifiche di prodotto:



Trattamento dei rifiuti di dispositivi elettronici al termine della loro durata di servizio

Il cestino barrato posto sulle parti principali che compongono il prodotto indica che non deve essere smaltito con i rifiuti domestici. Deve essere restituito a un apposito centro di raccolta per il riciclaggio dei dispositivi elettronici (per informazioni rivolgersi al servizio di nettezza urbana locale). Il prodotto contiene sostanze potenzialmente pericolose che potrebbero avere effetti nocivi sull'ambiente e la salute.

- Il documento è soggetto a modifica senza preavviso.

Marchi di fabbrica e declinazione della responsabilità: Pantera™ UltraFlow®, SuperFlo®, Sta-Rite® o WhisperFlo® e Pentair sono marchi commerciali e/o registrati di Pentair e/o delle relative affiliate. Se non diversamente indicato, la menzione di nomi e marchi di terzi all'interno di questo documento non implica un'affiliazione o un supporto tra i proprietari di detti nomi e marchi e Pentair. Tali nomi e marchi possono essere marchi o marchi registrati di queste parti o di terzi.

Istruzioni per l'installazione e l'uso delle pompe a velocità singola

SERVIZIO CLIENTI / ASSISTENZA TECNICA

In caso di domande sull'ordine di parti di ricambio Pentair Aquatic Systems, parti di ricambio ("Pentair") e prodotti per piscina, si prega di utilizzare le seguenti informazioni di contatto:

Assistenza clienti

Assistenza clienti, PISA, ITALIA (dalle 8.30 alle 16.30 CET)
 +39 050716166 / +39 050716169
 orders.pooleu@pentair.com
 poolemea@pentair.com
 www.pentairpooleurope.com

Assistenza tecnica

e-mail: techsupport.poolemea@pentair.com
 Numero dedicato: +33 184280940

Indice

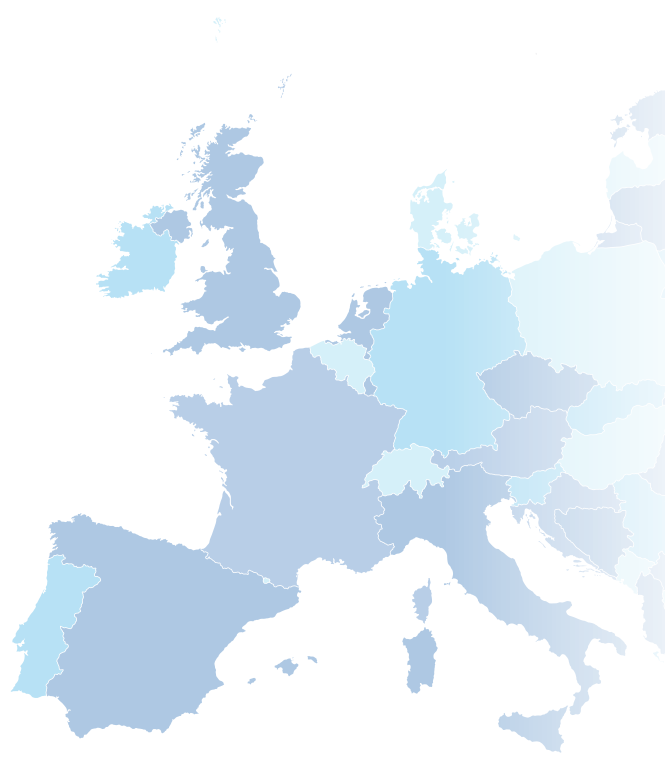
1. Avvertenza importante e istruzioni di sicurezza relative alla pompa	04
2. Informazioni sulla pompa	05
2.1 Informazioni generali.....	05
2.2 Applicazione.....	06
2.3 Installazione	10
2.4 Avvio / Utilizzo	15
2.5 Connessione elettrica.....	15
2.6 Manutenzione	16

ACADEMY TRAINING TOUR

Acquisisci competenze tecniche con la formazione offerta da Pentair

Scopri gli ultimi sviluppi in materia di dispositivi per il controllo e la regolazione automatica degli impianti di filtrazione, di pompe a risparmio energetico, di impianti di riscaldamento, giochi d'acqua e molto altro... La grande esperienza dei nostri istruttori, i materiali dettagliati e gli strumenti ausiliari ti garantiranno tecniche e conoscenze pratiche per specificare, installare, ricercare i guasti ed effettuare la manutenzione sulle attrezzature da piscina più avanzate... con un profitto. Acquisirai senza dubbio nuove competenze.

Maggiori informazioni: techsupport.poolemea@pentair.com



AVVERTENZA IMPORTANTE E ISTRUZIONI DI SICUREZZA RELATIVE ALLA POMPA



NOTA IMPORTANTE

Il presente documento è soggetto a modifica senza preavviso.

Marchi di fabbrica e declinazione della responsabilità: Pantera™ UltraFlow®, WhisperFlo®, SuperFlo®, Sta-Rite® e Pentair sono marchi commerciali e/o registrati di Pentair e/o delle relative affiliate. Se non diversamente specificato, la menzione di nomi e marchi di terzi all'interno di questo documento non implica alcun rapporto di collegamento tra i proprietari di detti nomi e marchi e Pentair, né alcuna approvazione o raccomandazione specifica. Tali nomi e marchi possono essere marchi di queste parti o di terzi.

All'attenzione dell'installatore: questa guida contiene informazioni per l'installazione, il funzionamento e l'uso

sicuro del prodotto. Consegnare queste informazioni al proprietario e/o utente di questa apparecchiatura dopo l'installazione o lasciarle sopra/in prossimità della pompa.

All'attenzione dell'utente: questo manuale contiene importanti informazioni per il funzionamento e la manutenzione di questo prodotto. Si prega di conservarlo per riferimenti futuri.

Le avvertenze e le istruzioni di sicurezza per le pompe e altri prodotti correlati di Pentair Aquatic Systems sono disponibili all'indirizzo: www.pentairpooleurope.com



LEGGERE, RISPETTARE E CONSERVARE LE SEGUENTI ISTRUZIONI!

Questo è il simbolo dell'avviso di sicurezza. Quando questo simbolo è visibile sull'impianto o nel presente manuale è necessario cercare di individuare una delle seguenti parole chiave e stare attenti alla possibilità di lesioni personali.



Mette in guardia da pericolo di vita, di gravi lesioni personali o di consistenti danni alle cose.



Mette in guardia da pericolo di lievi lesioni personali o di danni alle cose se ignorato.

NOTA: Indica istruzioni speciali non relative a pericoli.

Leggere con attenzione e attenersi a tutte le istruzioni di sicurezza riportate nel presente manuale e sulle apparecchiature. Mantenere le etichette di sicurezza in buone condizioni e sostituirle se mancanti o illeggibili.

Quando si installano e si utilizzano apparecchiature elettriche è necessario osservare sempre precauzioni di sicurezza di base, fra cui le seguenti:



Non permettere ai bambini di giocare con il dispositivo.



RISCHIO DI FOLGORAZIONE

La pompa deve essere collegata solo a prese di corrente che sono state installate correttamente secondo le normative e protette da un interruttore di sicurezza FI (RCD, 30mA).



COLLEGARE AL CIRCUITO DI ALIMENTAZIONE

Questa unità deve essere collegata esclusivamente a un circuito di alimentazione protetto da RCD. Tale RCD deve essere fornito dall'installatore e testato regolarmente. Per testare l'RCD, premere il pulsante Test. L'RCD dovrebbe interrompere l'alimentazione. Premere il pulsante Reset. L'alimentazione dovrebbe essere ripristinata. Se utilizzando questa procedura l'RCD non funziona, significa che è difettoso. Se l'RCD interrompe l'alimentazione della pompa senza che si preme il pulsante Test, è presente una corrente vagante, che comporta il rischio di folgorazione. Non utilizzare questa pompa! Scollegare la pompa e far risolvere il problema a un tecnico di assistenza qualificato prima di utilizzarla nuovamente.



Questa pompa è destinata all'uso con piscine permanenti e, se specificamente indicato, con vasche termali e per idromassaggio. Non utilizzare con piscine riponibili.

Per **piscina a installazione permanente** si intende una vasca interrata o costruita sul terreno o in un edificio in modo tale da non poter essere smontata o ripiegata.

Una **"piscina riponibile"** può essere rapidamente smontata per essere stoccata e rimontata per l'uso.

AVVERTENZA IMPORTANTE E ISTRUZIONI DI SICUREZZA RELATIVE ALLA POMPA

AVVERTENZE GENERALI

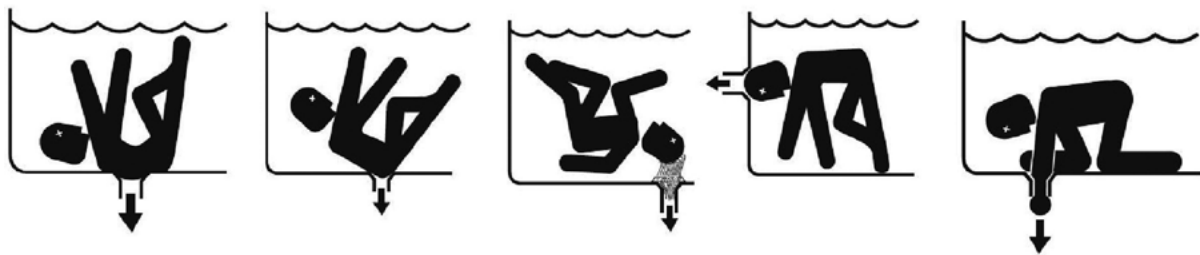
- Non aprire mai la parte interna della copertura del motore. Il dispositivo contiene un condensatore che trattiene una carica di 230 Vac, anche quando l'unità è scollegata dall'alimentazione.
- La pompa non è di tipo sommerso.
- La pompa è in grado di sostenere portate notevoli; prestare attenzione nell'installazione e nella programmazione, limitando le performance della pompa in presenza di apparecchiature obsolete o poco efficienti.
- Prima di effettuare la manutenzione della pompa, staccare l'alimentazione scollegando il circuito principale della pompa.
- L'uso di questa apparecchiatura non è consentito a persone (inclusi i bambini) con capacità fisiche, sensoriali o mentali ridotte, o esperienza e conoscenze scarse, a meno che non abbiano ricevuto supervisione o formazione in merito all'uso dell'apparecchiatura stessa da parte di una persona responsabile della loro sicurezza.



IL MANCATO RISPETTO DELLE ISTRUZIONI E DELLE AVVERTENZE PUÒ CAUSARE GRAVI LESIONI PERSONALI O CONSEGUENZE MORTALI. L'INSTALLAZIONE E LA MANUTENZIONE DELLA POMPA DEVONO ESSERE EFFETTUATE ESCLUSIVAMENTE DA PERSONALE QUALIFICATO NEL SETTORE PISCINE. GLI INSTALLATORI, GLI OPERATORI E I PROPRIETARI DELLA PISCINA DEVONO LEGGERE LE PRESENTI AVVERTENZE E LE ISTRUZIONI CONTENUTE NEL MANUALE D'USO DEVONO RESTARE NELLA DISPONIBILITÀ DEI PROPRIETARI.



RISCHIO DI INTRAPPOLAMENTO CAUSATO DALLA FORZA DI ASPIRAZIONE: allontanarsi dallo scarico principale e da tutte le bocchette di presa! Questa pompa produce livelli di aspirazione elevati e genera una forte aspirazione in corrispondenza dello scarico principale.



RISCHIO DI FOLGORAZIONE: LE POMPE NECESSITANO DI UNA TENSIONE ELEVATA, CHE PUÒ ESSERE CAUSA DI FOLGORAZIONE, USTIONI O MORTE.



SCOLLEGARE SEMPRE LA POMPA DAL CIRCUITO DI ALIMENTAZIONE MEDIANTE L'INTERRUTTORE PRINCIPALE, PRIMA DI INIZIARE QUALSIASI INTERVENTO SULLA POMPA. IL MANCATO RISPETTO DI QUESTA PRECAUZIONE POTREBBE CAUSARE LESIONI DA GRAVI A MORTALI

AL TECNICO DELL'ASSISTENZA, AGLI UTENTI DELLA PISCINA O A TERZI, IN SEGUITO A POSSIBILI SCARICHE ELETTRICHE.

L'uso di coperchi di tipo non approvato o l'uso di piscine e ambienti acquatici privi di coperchi o con coperchi danneggiati o rotti può causare l'intrappolamento degli arti o di altre parti del corpo, di capelli, del corpo, eviscerazione e/o morte.

L'aspirazione allo scarico o alle bocchette può provocare:

Intrappolamento degli arti: Quando si verifica l'aspirazione o inserimento di un arto in un'apertura con conseguente incastratura meccanica o edema. Questo pericolo è presente quando il coperchio dello scarico è mancante, rotto, allentato, fessurato o non adeguatamente fissato.

Intrappolamento dei capelli: Quando avviene l'intrappolamento o annodamento dei capelli nel coperchio dello scarico, tale da intrappolare il nuotatore sott'acqua. Questo pericolo è presente quando la portata del coperchio è troppo bassa per la pompa o le pompe.

Intrappolamento del corpo: Quando una parte del corpo è bloccata contro il coperchio dello scarico intrappolando il nuotatore sott'acqua. Questo pericolo è presente quando il coperchio dello scarico è mancante, rotto o quando la portata del coperchio non è abbastanza elevata per la pompa o pompe.

Eviscerazione/sventramento: Quando una persona si siede su una bocchetta aperta di una piscina (in particolare di una piscina per bambini) o di una vasca idromassaggio e l'aspirazione viene applicata direttamente a livello del tratto intestinale, provocando gravi lesioni intestinali. Questo pericolo è presente quando il coperchio dello scarico è mancante, allentato, fessurato o non adeguatamente fissato.

Intrappolamento meccanico: Quando gioielli, costumi da bagno, accessori per capelli, dita delle mani, dei piedi o le relative articolazioni restano intrappolati in un'apertura di una bocchetta o nel coperchio dello scarico. Questo pericolo è presente quando il coperchio dello scarico è mancante, rotto, allentato, fessurato o non adeguatamente fissato.

AVVERTENZA IMPORTANTE E ISTRUZIONI DI SICUREZZA RELATIVE ALLA POMPA

NOTA: LE BOCCHETTE DI ASPIRAZIONE DEVONO ESSERE INSTALLATE IN CONFORMITÀ ALLE NORMATIVE, STANDARD E LINEE GUIDA VIGENTI.

AVVERTENZA

Per ridurre al minimo il rischio di lesioni dovute a pericolo di intrappolamento causato dalla forza di aspirazione:

- I coperchi delle bocchette di ripresa devono essere installati ad almeno un metro di distanza l'uno dall'altro, misurata dal punto più vicino al punto più vicino.
- Verificare regolarmente tutte i coperchi per escludere eventuali fessurazioni, danni e degrado a causa di intemperie.
- Se un coperchio si allenta, si crepa, viene danneggiato, si rompe o manca, è necessario sostituirlo con un coperchio certificato adeguato.
- Sostituire i coperchi dello scarico secondo necessità. I coperchi degli scarichi si deteriorano con il tempo a causa dell'esposizione a luce solare e intemperie.
- Evitare di avvicinare capelli, arti o il corpo a coperchio di aspirazione, scarico della piscina o bocchette.
- Disattivare le bocchette di ripresa o riconfigurarle in bocchettoni di impulsione.

AVVERTENZA

Un interruttore di arresto chiaramente demarcato della pompa deve trovarsi in posizione intuitiva e facilmente accessibile. Assicurarsi che gli utenti sappiano dove si trova e come usarlo in caso di emergenza.

AVVERTENZA

Se la pompa non è dimensionata in modo corretto, o se viene installata e utilizzata per applicazioni diverse da quelle per cui è stata progettata, può provocare gravi lesioni personali o morte.

I possibili rischi in queste situazioni includono: folgorazione, incendio, allagamento, intrappolamento da aspirazione, gravi infortuni e danni alle cose provocati dal cedimento strutturale della pompa o di altri componenti del sistema.

AVVERTENZA

La pompa può produrre un'elevata forza di suzione sul lato di aspirazione dell'impianto idraulico. Tale forza di suzione potrebbe costituire un serio rischio per gli utenti in prossimità delle bocchette di aspirazione

dell'acqua. Esiste infatti il pericolo che la persona possa riportare gravi lesioni dovute alla forza di aspirazione, oppure possa restare intrappolata e annega. È di vitale importanza che le bocchette di aspirazione vengano installate nel pieno rispetto di quanto previsto dalla normativa più recente a disciplina delle installazioni di piscine.

Per l'installazione di controlli elettrici sulla base dell'apparecchiatura (Interruttori ON/OFF, controller e centro di carico di automazione):

ATTENZIONE



Installare tutti i controlli elettrici quali interruttori ON/OFF, controller e sistemi di controllo sulla base dell'apparecchiatura per consentire il funzionamento (avvio, arresto o manutenzione) di tutte le pompe e i filtri senza richiedere all'utente di posizionare una parte del corpo sopra o in prossimità del coperchio del filtro di aspirazione, del filtro della pompa o delle chiusure delle valvole. L'installazione deve garantire all'utente spazio sufficiente per stare lontano dal filtro e dalla pompa durante l'avvio, l'arresto o la manutenzione del filtro dell'impianto.

PERICOLO



PRESSIONE PERICOLOSA: ALLONTANARSI DA POMPA E FILTRO DURANTE L'AVVIO

Gli impianti di ricircolo funzionano ad alta pressione. Durante la manutenzione delle componenti dell'impianto di ricircolo (ad es. anello di fermo, pompa,

filtro, valvole, ecc.), l'aria può introdursi nell'impianto e pressurizzarsi. L'aria pressurizzata può far saltare la copertura dell'alloggiamento della pompa, il coperchio del filtro e le valvole, causando gravi lesioni personali o conseguenze mortali. Il coperchio del serbatoio filtro e quello del filtro di aspirazione devono essere adeguatamente fissati per impedire che si stacchino violentemente. Tenersi a distanza da tutte le apparecchiature dell'impianto di ricircolo al momento dell'accensione o avvio della pompa.

Prima di provvedere alla manutenzione dell'impianto, annotare la pressione del filtro. Assicurarsi di impostare tutti i controlli per impedire l'avvio accidentale dell'impianto durante la manutenzione. Disattivare l'alimentazione della pompa. **IMPORTANTE:** Posizionare la valvola di sfiato aria manuale del filtro in posizione aperta e attendere lo sfiato di tutta la pressione nell'impianto.

Prima di avviare l'impianto, aprire completamente la valvola di sfiato aria manuale e posizionare tutte le valvole dell'impianto nella posizione "aperta" per consentire il ricircolo dell'acqua dal serbatoio al serbatoio. Tenersi a distanza da tutte le apparecchiature e avviare la pompa. **IMPORTANTE:** Non chiudere la valvola di sfiato aria manuale del filtro fino allo sfiato di tutta la pressione dalla valvola e finché non si vede fuoriuscire un flusso d'acqua continuo. Osservare il manometro del filtro e assicurarsi che non sia superiore rispetto allo stato di pre-manutenzione.

AVVERTENZA IMPORTANTE E ISTRUZIONI DI SICUREZZA RELATIVE ALLA POMPA

ISTRUZIONI GENERALI PER L'INSTALLAZIONE

- Tutti gli interventi devono essere eseguiti da un tecnico di assistenza qualificato in conformità alle leggi nazionali e alle normative locali vigenti.
- Prevedere un adeguato drenaggio per il comparto dei componenti elettrici.
- Queste istruzioni contengono informazioni relative a diversi modelli di pompe; alcuni punti, pertanto, potrebbero non riferirsi al modello specifico dell'utente. Tutti i modelli sono destinati all'uso in piscina. La pompa funziona correttamente solo se adeguatamente dimensionata in base all'applicazione e installata secondo le disposizioni.
- L'installazione di una valvola di non ritorno dopo l'installazione della pompa impedirà lo srotolamento della girante ed è una procedura consigliata;
- È richiesto un collegamento equipotenziale sufficiente (consigliato 4,5 mm²) e in conformità alle normative locali su tutti i componenti metallici della piscina, compresa la pompa. Ciò è necessario per la sicurezza elettrica e la riduzione del rischio di corrosione.

CONSERVARE QUESTE ISTRUZIONI

3.1 - INFORMAZIONI GENERALI

Controllare l'imballaggio di cartone per escludere qualsiasi segno di danneggiamento dovuto alla brusca movimentazione durante la spedizione. In caso di danneggiamento della scatola di cartone o di componenti della pompa, darne immediatamente notifica al trasportatore.

Il mancato rispetto delle istruzioni di sicurezza può comportare conseguenze gravi per la salute o addirittura conseguenze mortali. Il mancato rispetto delle istruzioni di sicurezza in qualsiasi caso rende nulle le garanzie e responsabilità da parte del produttore.

Evitare il funzionamento a secco della pompa, a condizione che la pompa non sia riempita di acqua.

Questa pompa è dotata di tenuta meccanica.

Il danneggiamento della guarnizione dell'albero potrebbe essere la causa della mancata osservanza delle istruzioni.

Seguire le istruzioni per il riempimento della pompa in conformità con il manuale di installazione e d'uso.

3.2 - APPLICAZIONE

Da utilizzare esclusivamente per il ricircolo dell'acqua di piscina.

3.3 - INSTALLAZIONE

Solo una pompa qualificata. Consultare le "Avvertenze importanti e istruzioni di sicurezza relative alla pompa" per ulteriori informazioni sulla sicurezza in fase di installazione.

POSIZIONAMENTO

Nota: non installare la pompa in armadi esterni o al di sotto di scaffalature utilizzate come vasca idromassaggio o termale, a meno che non riporti simboli in tal senso.

Nota: assicurarsi che la pompa sia fissata meccanicamente alla base dell'apparecchiatura.

Assicurarsi che il luogo in cui viene installata la pompa sia conforme ai seguenti requisiti:

1. Installare la pompa il più vicino possibile alla piscina o vasca termale. Per ridurre le perdite di carico e migliorare l'efficienza, utilizzare raccordi di aspirazione brevi e diretti.
2. Installare la pompa ad almeno 1,5 m dal bordo interno della piscina o vasca idromassaggio.
3. Installare la pompa ad una distanza minima di 0,9 m dal bocchettone del riscaldamento.
4. Non installare la pompa a più di 2,5 m al di sopra del livello dell'acqua.
5. Installare la pompa in un luogo ben ventilato, al riparo da fonti di eccessiva umidità, (come ad es. scarichi delle grondaie, irrigatori a spruzzo, ecc.).
6. Installare la pompa lasciando almeno 7,6 cm di spazio sul lato posteriore, in modo da agevolare la rimozione del motore in caso di manutenzione e riparazione. Vedere figura 1.

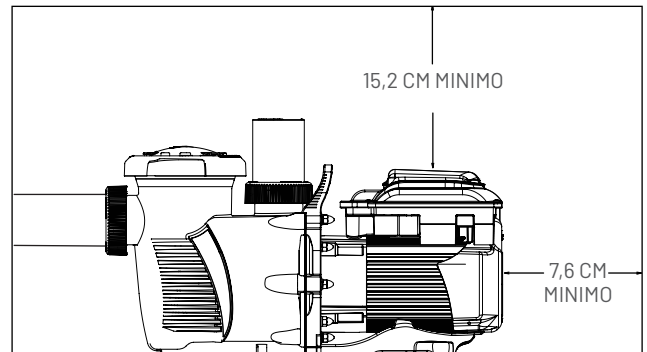


Figure 1: Spazio posteriore e verticale rispetto alla pompa

TUBATURE

1. Si raccomanda di utilizzare condotti di grandi dimensioni.
2. La tubatura lato aspirazione della pompa deve avere un diametro pari o superiore a quello del tubo di ritorno.
3. La tubatura lato aspirazione della pompa deve essere quanto più corta possibile.
4. Per la maggior parte delle installazioni, Pentair consiglia di installare una valvola sia sul tubo di aspirazione che su quello di ritorno, in modo che la pompa possa essere isolata durante la manutenzione di routine. Tuttavia, consigliamo anche di installare la valvola, il gomito o il raccordo a T del tubo di aspirazione a una distanza dal lato anteriore della pompa non inferiore a cinque (5) volte il diametro del tubo di aspirazione. sostenere autonomamente il tubo in prossimità dell'aspirazione e dello scarico della pompa al fine di ridurre la sollecitazione sulla pompa. Non serrare troppo i raccordi tra i tubi. Utilizzare solo sostanze adesive adatte a materiali plastici. Non utilizzare prodotti a base di petrolio. È importante che il tubo di aspirazione non presenti perdite d'aria. Il diametro del tubo di aspirazione deve essere almeno uguale all'apertura della pompa. Vedere figura 2.



Figura 2: tubatura consigliata

Esempio: Un tubo da 50 mm di diametro richiede una lunghezza rettilinea di 250 mm davanti all'ingresso di aspirazione della pompa. In questo modo, il riempimento sarà più rapido e la pompa avrà una durata di vita superiore.

Note: NON installare gomiti a 90° direttamente all'ingresso e all'uscita della pompa.

INFORMAZIONI SULLA POMPA

RACCORDI E VALVOLE

1. Non installare gomiti a 90° direttamente all'ingresso della pompa.
2. I sistemi di aspirazione allagati devono essere provvisti di valvole a saracinesca installate sui tubi di aspirazione e di scarico per la manutenzione; in ogni caso, la valvola di aspirazione a saracinesca non deve essere installata a una distanza dalla pompa inferiore al diametro del tubo di aspirazione moltiplicato per 5, come descritto in precedenza.
3. Utilizzare una valvola di non ritorno nella linea di scarico quando si impiega la pompa per applicazioni in cui la tubatura dopo la pompa sia a un'altezza considerevole.
4. Assicurarsi di installare valvole di non ritorno quando l'installazione è in parallelo con un'altra pompa. Ciò consente di prevenire la rotazione inversa di girante e motore.

3.4 - AVVIO / UTILIZZO

Avvio della pompa

- Riempire il filtro di aspirazione d'acqua fino al livello del tubo di aspirazione.
- Ogni volta che si rimuove il coperchio, lubrificare con lubrificante l'O-ring.
- Assicurarsi che il coperchio del filtro sia chiuso correttamente prima di azionare la pompa.
- Avviare il motore, la pompa inizia l'adescamento. Il tempo di adescamento dipende dall'altezza di as-

pirazione e dalla distanza dalla piscina. Un tempo di adescamento di cinque minuti è normale.

- La pompa è in grado di superare un dislivello massimo di 2,5 metri. Se la pompa non esegue l'adescamento, consultare il manuale di ricerca guasti.
- Evitare danni ai prodotti per la piscina installando prodotti per il trattamento acqua (cloro/pH/pompe, ecc.) dietro altre apparecchiature.

Manutenzione

Rimuovere e pulire ogni settimana il cestello filtro. Non avviare mai la pompa priva di cestello.

Componente	Controllo	Intervallo	Note
Segnali di avvertimento	Controllo visivo	Mensile	Sostituire se necessario
Alimentazione acqua	Controllo di linee e connettori	Mensile	Sostituzione immediata di parti danneggiate
Dispositivi di sicurezza	Controllo visivo	Mensile	Verifica della corretta installazione/ adeguamento
Condizioni generali della pompa	Controllo visivo	Semestrale	Controllo di eventuali danni o corrosione
Alette di raffreddamento motori elettrici	Pulire le alette di raffreddamento per mantenerne l'efficacia	Semestrale	-
Apparecchiatura elettrica	Controllo	Mensile	Rettificare immediatamente collegamenti allentati o cavi bruciati. Far riparare i guasti da un elettricista qualificato
Portafiltro preliminare	Controllo dello sporco nel vano	Settimanale	Rimuovere completamente la sporcizia
O-Ring nel coperchio del filtro preliminare	Controllo visivo	Semestrale	-

Rimessaggio invernale

- Proteggere la pompa dal gelo.
- Rimuovere tutti i tappi e svuotare la pompa e tutte le tubazioni.
- Conservare scarichi e tappi nel cestello filtro.
- Tenere la pompa in un luogo secco e riscaldato.
- Non avvolgere il motore in sacchetto di plastica per evitare la formazione di condensazione all'interno che potrebbe danneggiare la pompa.
- Negli impianti che non consentono di svuotare la pompa, una soluzione di glicole propilenico al 40% e acqua al 60% protegge la pompa fino a temperature di -46°C.
- Non utilizzare altre soluzioni antigelo in quanto sono estremamente tossiche e danneggiano la pompa.

Istruzioni per l'installazione e l'uso delle pompe a velocità singola

INFORMAZIONI SULLA POMPA

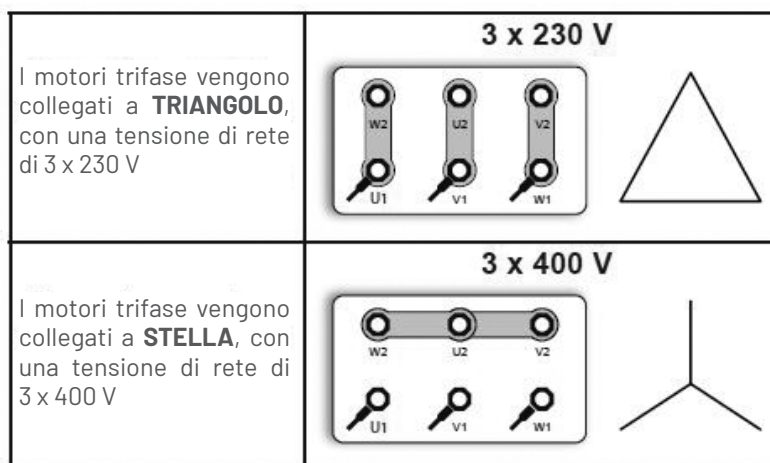
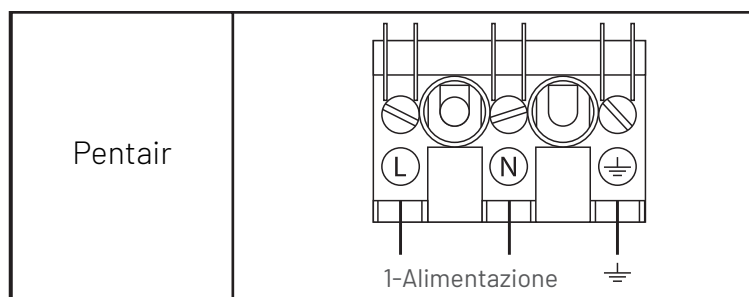
3.5 - CONNESSIONE ELETTRICA

Il motore elettrico deve essere collegato da un professionista secondo le istruzioni di installazione e le norme locali applicabili. Con l'introduzione della pompa, deve essere prevista una sicurezza del motore dall'installazione. La sicurezza deve essere sintonizzata sulla potenza nominale del motore. La tensione di alimentazione deve corrispondere con un margine $\pm 5\%$ alla tensione nominale indicata sulla targa del motore.

I motori monofase devono essere collegati ai due terminali come indicati di seguito.

Schema di cablaggio monofase e trifase:

*** Il diagramma seguente non ha la priorità rispetto allo schema elettrico sul motore.**



La linea di alimentazione elettrica deve essere provvista di un dispositivo di protezione contro i cortocircuiti e di un interruttore differenziale RCD ad alta sensibilità (30mA), protetto da un fusibile ad azione lenta o da un interruttore magnetotermico. Assicurarsi di interrompere l'alimentazione elettrica ai cavi durante il collegamento dei cavi alla pompa.

Rimuovere i cavi dai terminali prima dell'installazione!

Controllare la direzione di rotazione dei motori trifase dopo ogni collegamento. Se la direzione non corrisponde alla freccia sulla pompa, invertire i collegamenti bifase nella scatola di collegamento. Ogni motore deve essere dotato di una messa a terra permanente. **I collegamenti non conformi alle istruzioni di sicurezza sopra indicate non sono coperti dalla garanzia.**

INFORMAZIONI SULLA POMPA

3.6 - MANUTENZIONE

La pompa è progettata per funzionare per diversi anni senza manutenzione. **Scollegare sempre l'alimentazione elettrica dalla pompa prima di eseguire la manutenzione.** La sostituzione del motore elettrico deve essere eseguita da un professionista. Riempire il prefiltro della pompa di acqua fino al livello del tubo di aspirazione.

3.7 - RICERCA GUASTI

La pompa non adesca

1. Non c'è acqua nel filtro di aspirazione
2. Il prefiltro non è serrato
3. O-ring del coperchio danneggiato
4. Il livello dell'acqua è inferiore allo skimmer
5. Il cestello del prefiltro o il cestello dello skimmer è ostruito
6. Valvola chiusa nelle tubazioni
7. Perdita d'aria nella linea di aspirazione

Il motore non gira

1. Interruttore dell'alimentazione spento
2. Interruttore del circuito bloccato
3. La pompa è in modalità OFF di un circuito controllato da timer
4. I collegamenti dei terminali del motore non sono corretti
5. L'albero del motore è bloccato
6. Il girante è bloccato dai detriti

Flusso basso/Pressione sul filtro elevata

1. Il filtro è sporco
2. Restrizione nella linea di ritorno

Flusso basso/Pressione sul filtro ridotta

1. Il cestello del prefiltro o il cestello dello skimmer è ostruito
2. Girante ostruita
3. Perdita d'aria nella linea di aspirazione
4. Ostruzione nella linea di aspirazione
5. Rotazione inversa del motore (solo trifase)

Pompa rumorosa

1. Perdita d'aria nella linea di aspirazione
2. Materiali estranei nell'alloggiamento della pompa
3. Cavitazione

L'ELENCO ILLUSTRATO DELLE PARTI DI RICAMBIO È DISPONIBILE SUL SITO:

www.pentairpooleurope.com



PENTAIR INTERNATIONAL LLC,
Av. de Sévelin 20, CH-1004 - LOSANNA, Svizzera
WWW.PENTAIR.COM

Tutti i marchi e loghi Pentair registrati sono proprietà di Pentair Inc. o delle sue affiliate globali negli Stati Uniti e/o in altri paesi. Marchi e loghi di terze parti, registrati e non, sono di proprietà dei rispettivi titolari. In virtù della politica di miglioramento costante dei propri prodotti e servizi, Pentair si riserva il diritto di modificare i dati tecnici senza preavviso. Pentair promuove le pari opportunità nell'impiego.

© 2020 Pentair. Tutti i diritti riservati. Il presente documento è soggetto a modifica senza preavviso.

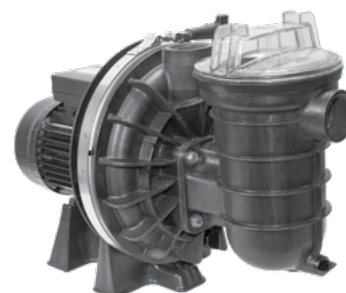


POMPEN MET VASTE SNELHEID

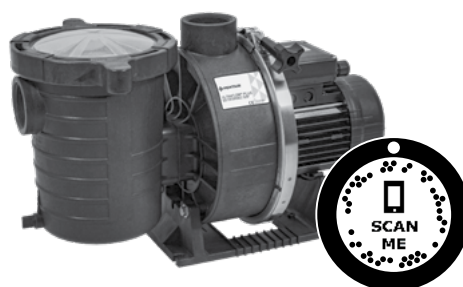
LA STA-RITE® HD



LA STA-RITE®



ULTRAFLOW®



WHISPERFLO®



SUPERFLO®



PANTERA™



INSTALLATIE- EN GEBRUIKERSHANDLEIDING

BELANGRIJKE VEILIGHEIDSINSTRUCTIES

LEES EN RESPECTEER ALLE INSTRUCTIES / BEWAAR DEZE INSTRUCTIES

P-INSB-PENT2

English

Français

Español

Deutsch

Italiano

Dutch

POMPEN MET VASTE SNELHEID

Pentair dankt u voor het vertrouwen dat u in het bedrijf stelt en voor de aankoop van een van onze pompen met vaste snelheid. Lees deze gebruikershandleiding zorgvuldig zodat u volop gebruik kunt maken van alle functies van deze producten. Bewaar deze gids zorgvuldig zodat u hem op elk moment kunt raadplegen.



Conformiteitsverklaring

Richtlijnen – Geharmoniseerde normen

Pentair International Sarl - Avenue de Sévelin 20 - 1004 Lausanne - Zwitserland

Op eigen verantwoordelijkheid verklaren we dat de producten waar deze handleiding bij hoort, aan de volgende richtlijnen voldoen:

Richtlijn	Geharmoniseerde norm
2014/35/EG Laagspanningsrichtlijn	EN 60335-1 ; EN 60335-2-41
2014/30/UE (EMC)	EN 61000-6-1 ; EN 61000-6-3 ; EN 55014-1 ; EN 55014-2
2019/125/EC richtlijn 640/2009 betreffende ecologisch ontwerp	EN 60034-30
2011/65/UE (RoHS)	EN 50581



Bevoegd persoon voor de technische documentatie

Pentair International S.à.r.l

Avenue de Sévelin 20

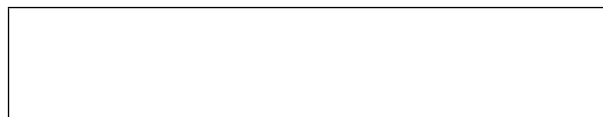
1004 Lausanne - Zwitserland

Lausanne, 2020 06 10

Jacques Van Bouwel

Engineering Mgr, Aquatic Systems Europe

Productspecificaties:



Afvalverwerking van elektronische toestellen op het einde van hun levenscyclus:

De doorkruiste vuilnisemmer op de belangrijkste onderdelen van dit product maakt duidelijk dat het niet samen met huishoudelijk afval verwerkt mag worden. Het toestel moet naar een afvalpunt voor de recyclage van elektronische toestellen gebracht worden (informatie verkrijgbaar bij de lokale dienst voor inzameling van huishoudelijk afval). Dit product bevat potentieel gevaarlijke stoffen die een nefast effect kunnen hebben op het milieu en de menselijke gezondheid.

- Dit document kan zonder voorafgaande kennisgeving gewijzigd worden

Handelsmerken en disclaimers: Pantera™ UltraFlow®, SuperFlo®, Sta-Rite® of WhisperFlo® en Pentair zijn handelsmerken en/of gedeponeerde handelsmerken van Pentair en/of van zijn gelieerde ondernemingen. Tenzij anders aangegeven worden namen en merken van anderen die in dit document kunnen voorkomen, niet gebruikt om een band tussen Pentair en de eigenaars van die namen en merken of een onderlinge goedkeuring aan te geven. Deze namen en merken kunnen de handelsmerken of gedeponeerde handelsmerken van deze of andere partijen zijn.

KLANTDIENST / TECHNISCHE DIENST

Gelieve de volgende contactinformatie te gebruiken als u vragen hebt over het bestellen van vervangstukken of zwembadproducten van Pentair Aquatic Systems (Pentair):

Klantendienst

Klantendienst PISA, ITALIË (van 8:30 tot 16:30 CET)
 +39 050716166 / +39 050716169
 orders.pooleu@pentair.com
 poolemea@pentair.com
 www.pentairpooleurope.com

Technical Support

E-mail: techsupport.poolemea@pentair.com
 Hotline: +33 184280940

Inhoud

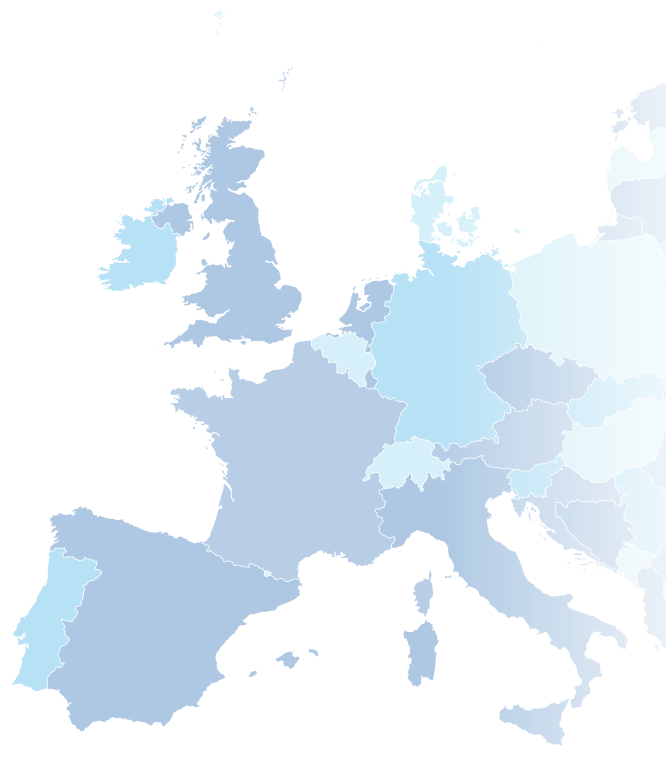
1. Belangrijke waarschuwingen en veiligheidsinstructies voor de pomp	04
2. Informatie over de pomp	05
2.1 Algemene informatie	05
2.2 Toepassing	06
2.3 Installatie	10
2.4 Opstarten / Bedienen.....	15
2.5 Elektrische aansluiting	15
2.6 Onderhoud.....	16

ACADEMY TRAINING TOUR

Breid uw technische knowhow uit met trainingen van Pentair

Kom meer te weten over de nieuwste ontwikkelingen op het vlak van automatisering, pompen, verwarmingssystemen, verlichting, filtersystemen, waterornamenten en chloorgeneratie. Onze ervaren instructeurs, de gedetailleerde cursussen en het ondersteunende trainingsmateriaal brengen u de technieken uit de praktijk bij en geven u alle informatie die nodig is om de meest geavanceerde zwembadsystemen te selecteren, te installeren, en te onderhouden, en dat op een rendabele manier. Dat zal u ongetwijfeld een rijke knowhow opleveren.

Meer informatie: techsupport.poolemea@pentair.com



BELANGRIJKE WAARSCHUWINGEN EN VEILIGHEIDSINSTRUCTIES VOOR DE POMP



BELANGRIJK

Dit document kan zonder voorafgaande kennisgeving gewijzigd worden.

Handelsmerken en disclaimers: Pantera™ UltraFlow®, WhisperFlo®, SuperFlo®, Sta-Rite® en Pentair zijn handelsmerken en/of gedeponeerde handelsmerken van Pentair en/of van zijn gelieerde ondernemingen. Tenzij anders aangegeven worden namen en merken van anderen die in dit document kunnen voorkomen, niet gebruikt om een band tussen Pentair en de eigenaars van die namen en merken of een onderlinge goedkeuring aan te geven. Deze namen en merken kunnen de handelsmerken van deze partijen of anderen zijn.

Belangrijke opmerking voor de installateur: deze gids bevat belangrijke informatie over de installatie, de werking en

het veilige gebruik van dit product. Deze informatie moet na de installatie aan de eigenaar en/of exploitant van deze uitrusting gegeven worden of op/in de buurt van de pomp achtergelaten worden.

Belangrijke opmerking voor de gebruiker: Deze handleiding bevat belangrijke informatie die u zal helpen om dit product te gebruiken en te onderhouden. Hou deze handleiding bij om ze later te kunnen raadplegen.

Waarschuwingen en veiligheidsinstructies voor de pompen van Pentair Aquatic Systems en andere verwante producten vindt u op: www.pentairpooleurope.com



LEES, RESPECTEER EN BEWAAR DEZE INSTRUCTIES!

Dit is het veiligheidssymbool. Wanneer u dit symbool op uw systeem of in deze handleiding ziet, kijk dan uit naar een van de volgende termen. Wees voorzichtig om te vermijden dat u zich verwondt.



Waarschuwt voor gevaren die, als u er geen rekening mee houdt, tot de dood, ernstige lichamelijke letsels of grote materiële schade kunnen leiden.



OPMERKING: Wijst op speciale instructies zonder dat er sprake is van gevaar.



Waarschuwt voor gevaren die, als u er geen rekening mee houdt, tot lichte lichamelijke letsels of beperkte materiële schade kunnen leiden.

Lees zorgvuldig alle veiligheidsinstructies in deze handleiding en op de uitrusting en respecteer ze. Hou de veiligheidsetiketten in goede staat; vervang ze indien ze ontbreken of beschadigd zijn.

Wanneer u deze elektrische uitrusting installeert en gebruikt, moet u altijd de elementaire veiligheidsvoorschriften volgen, waaronder:



Kinderen mogen niet met het toestel spelen.



RISICO VAN ELEKTRISCHE SCHOK.



Deze pomp is bedoeld voor permanente zwembaden en kan, indien dat zo vermeld is, ook in jacuzzi's en spa's gebruikt worden. Niet gebruiken met opbergbare zwembaden.

De pomp mag alleen aangesloten worden op stopcontacten die conform de voorschriften geïnstalleerd zijn en die met een FI-veiligheidsschakelaar (RCD, 30 mA) beveiligd zijn.

Een permanent geïnstalleerd zwembad vormt een vaste constructie in of op de grond, of in een gebouw zodat het niet gedemonteerd kan worden om het op te bergen.



AANSLUITEN OP HET VOEDINGSCIRCUIT

Een opvouwbaar zwembad is zo gebouwd dat het snel gedemonteerd en opgeborgen kan worden en nadien ook weer gemonteerd kan worden.

Deze eenheid moet op een voedingscircuit aangesloten worden dat door een RCD beschermd is. Zulk een RCD moet door de installateur geleverd worden en moet regelmatig getest worden. Om de RCD te testen, drukt u de testtoets in. De RCD moet de stroomtoevoer onderbreken. Druk de toets 'reset' in. De stroomtoevoer moet hersteld zijn. Als de RCD niet op die manier werkt, is hij defect. Als de RCD de stroomvoeding naar de pomp onderbreekt zonder dat de testtoets ingedrukt is, is er een aardstroom aanwezig. Dat wijst op de mogelijkheid van een elektrische schok. Gebruik deze pomp niet! Koppel de pomp los en laat het probleem door een gekwalificeerd onderhoudstechnicus oplossen voor u de pomp weer gebruikt.

BELANGRIJKE WAARSCHUWINGEN EN VEILIGHEIDSINSTRUCTIES VOOR DE POMP

ALGEMENE WAARSCHUWINGEN

- Open nooit de binnenkant van de behuizing van de aandrijfmotor. Daar bevindt zich een condensatorbatterij die onder een spanning van 230 VAC staat, zelfs als de eenheid niet gevoed wordt.
- De pomp mag niet ondergedompeld worden.
- De pomp kan een hoog debiet opwekken; bij een oude of twijfelachtige uitrusting moet u voorzichtig zijn en programmeert u de pomp zodat ze niet op haar maximumvermogen werkt.
- Vooraleer u de pomp onderhoudt, schakelt u de voed-

ing van de pomp UIT door het voedingscircuit van de pomp los te koppelen.

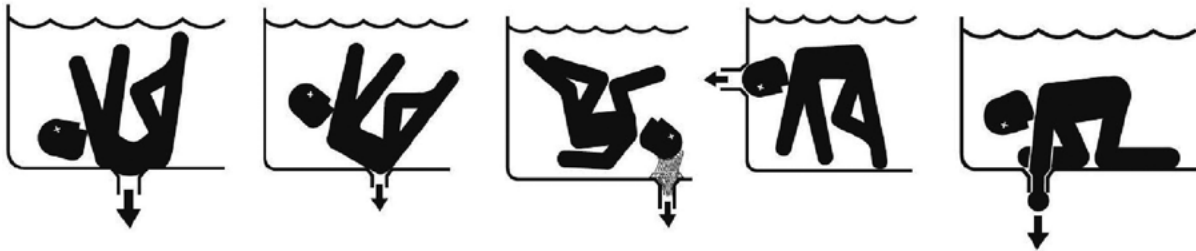
- Dit toestel is niet bedoeld om gebruikt te worden door mensen (met inbegrip van kinderen) met een fysieke, zintuiglijke of mentale beperking, of door mensen met onvoldoende kennis en ervaring, tenzij ze onder supervisie staan of instructies over het gebruik van het toestel gekregen hebben van een persoon die voor hun veiligheid verantwoordelijk is.



DE INSTRUCTIES EN WAARSCHUWINGEN NIET NALEVEN, KAN ERNSTIGE OF DODELIJKE VERWONDINGEN TOT GEVOLG HEBBEN. DEZE POMP MAG ALLEEN DOOR EEN HIERTOE OPGELEIDE ZWEMBADTECHNICUS WORDEN GEINSTALLEERD EN ONDERHOUDEN. DE INSTALLATEURS, ZWEMBADEXPLOITANTEN EN -EIGENAARS MOETEN DEZE WAARSCHUWINGEN LEZEN EN ALLE INSTRUCTIES IN DE GEBRUIKERSHANDLEIDING MOETEN BIJ DE EIGENAAR VAN HET ZWEMBAD BLIJVEN.



GEVAAR OM VASTGEZOGEN TE WORDEN: Blijf weg van de hoofdafvoer en van alle zuiguitgangen! Deze pomp kan een hoge zuigkracht ontwikkelen en creëert een krachtig vacuüm ter hoogte van de hoofdafvoer.



RISICO OP ELEKTRISCHE SCHOK OF ELEKTROCUTIE: POMPEN VERGEN EEN HOGE SPANNING DIE TOT SCHOKKEN, BRANDWONDEN OF DE DOOD KAN LEIDEN.



VOOR U AAN DE ZWEMBADPOMP WERKT, MOET U DIE ALTIJD MET DE STROOMONDERBREKER VAN HET ELEKTRICITEITSNET LOSKOPPELEN. ALS DAT NIET GEBEURT, KAN EEN ELEKTRISCHE SCHOK DE ONDERHOUDSTECHNICUS, DE ZWEMBADGEBRUIKERS OF ANDERE MENSEN ERNSTIG VERWONDEN OF DODEN.

Als niet-goedgekeurde deksels gebruikt worden of als het gebruik van het zwembad of de spa toegestaan wordt hoewel deksels ontbreken, gebarsten of gebroken zijn, kunnen het lichaam of ledematen gekneld of haren verstrikt raken. Mogelijke gevolgen zijn het verlies van ingewanden en/of de dood.

De zuigkracht ter hoogte van een afvoer houdt de volgende gevaren in:

Geknelde ledematen: wanneer een ledemaat in een opening gestoken of gezogen wordt, zodat het mechanisch vast komt te zitten of er een zwelling ontstaat. Dit gevaar doet zich voor

wanneer een afvoerdekseel ontbreekt, gebroken is, loszit, gebarsten is of niet correct werd bevestigd.

Verstrikt haar: wanneer het haar in het dekseel van de afvoer verward raakt zodat de zwemmer onder water komt vast te zitten. Dit gevaar bestaat wanneer het debiet van het dekseel in verhouding te klein is voor de pomp of pompen.

Gekneld lichaam: wanneer een deel van het lichaam tegen het dekseel van de afvoer gezogen wordt zodat de zwemmer onder water komt vast te zitten. Dit gevaar bestaat wanneer het afvoerdekseel ontbreekt of gebroken is, of het debiet van het dekseel in verhouding niet hoog genoeg is voor de pomp of pompen.

Verlies van ingewanden: wanneer een persoon op een open mond van een zwembad (vooral een plonsbadje) of een spa zit en er een directe zuigkracht op de ingewanden uitgeoefend wordt, kan dat tot ernstige letsels aan de ingewanden leiden. Dit gevaar doet zich voor wanneer een afvoerdekseel ontbreekt, los zit, gebarsten is of niet correct werd bevestigd.

Mechanische inklemming: wanneer juwelen, zwempakken, haarbanden, vingers, tenen of knokkels in een opening van een afvoerdekseel gekneld raken. Dit gevaar doet zich voor wanneer het afvoerdekseel ontbreekt, gebroken is, los zit, gebarsten is of niet correct werd bevestigd.

BELANGRIJKE WAARSCHUWINGEN EN VEILIGHEIDSINSTRUCTIES VOOR DE POMP

OPMERKING: ALLE LEIDINGEN DIE WATER AANZUIGEN, MOETEN IN OVEREENSTEMMING MET DE RECENTSTE VOORSCHRIFTEN, NORMEN EN RICHTLIJNEN GEÏNSTALLEERD WORDEN.



Om het risico van kwetsuren als gevolg van een beknelling door de zuigkracht tot een minimum te beperken:

- Zuigdeksels moeten minstens 1 m van elkaar geïnstalleerd worden, gemeten van het dichtste punt tot het dichtste punt.
- Controleer alle deksels regelmatig op barsten, beschadiging en verregaande verwerking.
- Als een deksel losgekomen, beschadigd of gebroken is, of als het ontbreekt, vervang het dan door een aangepast en goedgekeurd deksel.
- Vervang indien nodig de afvoerdeksels. Na verloop van tijd gaan afvoerdeksels onder invloed van het zonlicht en het weer verweren.
- Kom met de haren, de ledematen en het lichaam niet te dicht bij een zuigdeksel, zwembadafvoer of uitgang.
- Schakel de aanzuiguitgangen uit of herconfigureer ze in retouringangen.



In een gemakkelijk toegankelijke, voor de hand liggende ruimte moet een duidelijk gesignaleerde noodschakelaar voor de pomp gemonteerd worden. Zorg ervoor dat de gebruikers weten waar de schakelaar zich bevindt en hoe ze die in geval van nood moeten gebruiken.



Pompen met een verkeerd formaat, pompen die verkeerd geïnstalleerd zijn of pompen die voor andere toepassingen gebruikt worden dan die waarvoor ze bedoeld zijn, kunnen tot ernstige lichamelijke letsels of de dood leiden.

Hieronder een niet-volledige lijst met de risico's in kwestie: elektrische schok, brand, overstroming, beknelling door zuigkracht, of ernstige lichamelijke of materiële schade als gevolg van een structureel defect van de pomp of van een ander onderdeel van het systeem



De pomp kan een sterke onderdruk opwekken aan de aanzuigkant van de leidingen. Die hoge zuigkracht kan een risico vormen als iemand in de onmiddellijke nabijheid van de

zuigmonden komt. Door die grote zuigkracht kan iemand ernstig gewond raken of vastgegrepen worden en verdrinken. Het is onontbeerlijk om bij de installatie van de zuigleidingen de recentste nationale en plaatselijke voorschriften voor zwembaden te respecteren.

Installatie van elektrische bedieningselementen op de installatieplaat (ON/OFF-schakelaars, controllers en Automation Load Center)



Installeer alle elektrische bedieningselementen, zoals ON/OFF-schakelaars, controllers en regelsystemen op zulk een manier op de installatieplaat dat de pomp of de filter bediend kan worden (starten, stoppen of onderhouden) zonder dat de gebruiker met een deel van zijn/haar lichaam boven of in de buurt van het deksel van de pompzeef, de filter of de klepafsluitingen moet komen. Die installatie moet de gebruiker genoeg ruimte laten zodat hij bij het opstarten, stilleggen van het systeem of onderhouden van de systeemfilter op voldoende afstand van de filter en de pomp kan blijven.



GEVAARLIJK DRUKNIVEAU: BLIJF BIJ DE START OP EEN VEILIGE AFSTAND VAN DE POMP EN DE FILTER

Pompsystemen werken onder een hoge druk. Wanneer een onderdeel van het pompsysteem (bijv. afsluitring, pomp, filter, kleppen) onderhouden wordt, kan er lucht in het systeem dringen en daar onder druk gezet worden. Perslucht kan het deksel van de pompbehuizing, het filterdeksel en de kleppen krachtig doen losschieten, met ernstige of dodelijke lichamelijke letsels als gevolg. Het filterdeksel en het zeefdeksel moeten stevig vastgezet worden om te vermijden dat ze plots losschieten. Blijf op voldoende grote afstand van alle circulatie-uitrusting wanneer u de pomp inschakelt of start.

Voor u de uitrusting onderhoudt, noteert u de filterdruk. Vergewis u ervan dat alle elementen zo zijn ingesteld dat het systeem niet onbedoeld in werking kan treden tijdens het onderhoud. Schakel de stroomtoevoer naar de pomp volledig uit. **BELANGRIJK:** open de manuele ontlastklep van de filter en wacht tot alle druk in het systeem ontsnapt is.

Voor u het systeem start, opent u de manuele ontlastklep helemaal en zet u alle systeemkleppen in de positie 'open' zodat het water ongehinderd uit de tank en weer naar de tank kan stromen. Blijf uit de buurt van alle uitrusting en start de pomp. **BELANGRIJK:** sluit de manuele ontlastklep van de filter niet voor alle druk uit de klep ontsnapt is en er een gelijkmatige stroom water te zien is. Controleer de manometer van de filter en vergewis u ervan dat de druk niet hoger is dan vóór het begin van de werkzaamheden.

BELANGRIJKE WAARSCHUWINGEN EN VEILIGHEIDSINSTRUCTIES VOOR DE POMP

ALGEMENE INFORMATIE OVER DE INSTALLATIE

- Alle werkzaamheden moeten door een gekwalificeerd onderhoudstechnicus uitgevoerd worden en moeten aan alle nationale, gewestelijke en lokale voorschriften voldoen;
- Voorzie een afvoer zodat vocht uit het compartiment met de elektrische onderdelen kan weglopen;
- Deze instructies bevatten informatie voor een groot aantal pompmodellen zodat sommige instructies bij bepaalde modellen niet van toepassing zijn. Alle modellen zijn bedoeld voor gebruik in zwembadtoepassingen. De pomp zal alleen goed werken als ze de juiste grootte voor de specifieke toepassing heeft en als ze goed geïnstalleerd is;
- Het wordt sterk aangeraden om op de installatie een terugslagklep voorbij de pomp te installeren. Dat voorkomt dat het schoepenrad los komt.
- Een kabel met een voldoende equipotentiaal (min. 4,5 mm² aanbevolen), in overeenstemming met de lokale voorschriften, is vereist op alle metalen onderdelen van het zwembad, met inbegrip van de zwembadpomp. Dat is nodig om de elektrische veiligheid te verzekeren en om het risico van corrosie te verminderen.

BEWAAR DEZE INSTRUCTIES

3.1 - ALGEMENE INFORMATIE

Controleer de doos op eventuele tekens van transportschade. Verwittig bij beschadiging onmiddellijk de transporteur.

Het niet opvolgen van de veiligheidsinstructies kan ernstige ongewenste gezondheidseffecten, of zelfs ernstige of dodelijke letsels tot gevolg hebben. Wanneer de veiligheidsinstructies niet opgevolgd worden, vervallen in ieder geval alle garanties en aansprakelijkheden van de fabrikant. Zolang de pomp niet met water gevuld is, moet u vermijden om ze te laten draaien (drooglopen).

Deze pomp is voorzien van een mechanische dichting.

Schade aan de asafdichting kan ontstaan wanneer de instructies niet nageleefd worden.

Gelieve de instructies te volgen voor het vullen van de pomp, volgens de installatie- en instructiehandleiding.

3.2 - TOEPASSING

Mag alleen gebruikt worden om zwembadwater rond te stuwen.

3.3 - INSTALLATIE

Alleen een goedgekeurde pomp. Raadpleeg 'Belangrijke waarschuwingen en veiligheidsinstructies voor de pomp' voor bijkomende informatie over de installatie en de veiligheid.

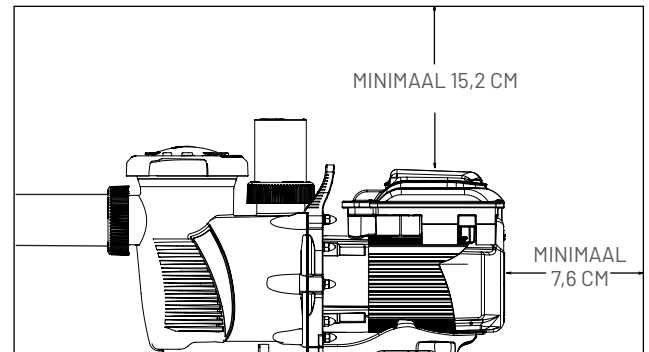
LOCATIE

Opmerking: installeer deze pomp niet binnen de buitenmantel of onder de zijmantel van een hot tub of spa tenzij anders aangegeven.

Opmerking: controleer of de pomp mechanisch op de installatieplaat bevestigd is.

Controleer of de installatieplaats van de pomp aan de volgende eisen voldoet.

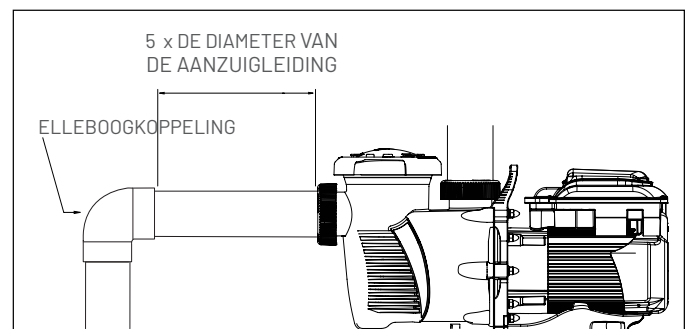
1. Installeer de pomp zo dicht mogelijk bij het zwembad of de spa. Om wrijvingsverliezen te verminderen en het rendement te verbeteren, dient u korte en rechte aanzuig- en retourleidingen te gebruiken.
2. Voorzie een afstand van minstens 1,5 m vanaf de binnenwand van het zwembad en de spa.
3. Installeer de pomp op minstens 0,9 meter van de uitlaat van het verwarmingselement.
4. Installeer de pomp niet hoger dan 2,5 meter boven het waterpeil.
5. Installeer de pomp op een goed geventileerde plaats, beschermd tegen overdreven vocht (d.w.z. regenpijpen, tuinsproeiers enz.).
6. Installeer de pomp met achteraan een speling van ten minste 7,6 cm zodat de motor gemakkelijk verwijderd kan worden voor reparatie en onderhoud. Zie Afbeelding 1.



Figuur 1: Vrije ruimte boven en achter de pomp

LEIDINGEN

1. Hoe groter diameter van de leiding, hoe beter.
2. De diameter van de leiding aan de aanzuigzijde van de pomp moet gelijk zijn aan of groter zijn dan die van de retourleiding.
3. De leiding aan de aanzuigzijde van de pomp moet zo kort mogelijk zijn.
4. Voor de meeste installaties beveelt Pentair aan zowel de aanzuig- als de retourleidingen van de pomp van een klep te voorzien om ze te kunnen isoleren voor periodiek onderhoud. Wij raden echter ook aan een klep, elleboogverbinding of T-stuk in de aanzuigleiding niet dicht bij de voorzijde van de pomp te plaatsen dan vijf (5) keer de diameter van de aanzuigleiding. Zorg voor een aparte ondersteuning van de leiding bij de zuig- en stuwzijde van de pomp om de belasting op de pomp te verminderen. Span de pijpverbindingen niet te hard aan. Gebruik alleen speciale klefmiddelen die geschikt zijn voor kunststof. Vermijd producten op basis van petroleum. Het is belangrijk dat de zuigleiding vrij is van luchtlekken. De diameter van de zuigleiding moet altijd minstens even groot zijn als de zuigopening van de pomp. Zie Figuur 2.



Figuur 2: Aanbevolen leidingen

Voorbeeld: voor een leiding van $\varnothing 50$ mm moet een rechte buis van 250 mm vóór de aanzuiging van de pomp worden geplaatst. Dit zal helpen om de pomp sneller te vullen waardoor ze langer zal meegaan.

Opmerking: haakse elleboogkoppelingen (90°) mag u NIET rechtstreeks in de pompingang of -uitgang installeren.

INFORMATIE OVER DE POMP

ACCESSOIRES EN KLEPPEN

1. Installeer geen haakse elleboogkoppelingen rechtstreeks in de pompinlaat.
2. Aanzuigsystemen die zich in het water bevinden, dienen schuifafsluiters te hebben in de aanzuig- en stuwleiding om het onderhoud te kunnen uitvoeren; de afstand van de schuifafsluiter in de aanzuigleiding tot de pomp moet minimaal vijf keer de diameter van de aanzuigleiding bedragen, zoals in dit deel beschreven.
3. Plaats een terugslagklep in de afvoerleiding wanneer u de pomp gebruikt voor een toepassing waarbij de leiding voorbij de pomp een grote hoogte bereikt.
4. Installeer altijd terugslagkleppen wanneer leidingen parallel met een andere pomp worden geplaatst. Dit voorkomt dat het schoepenrad en de motor in de ongewenste richting draaien.

ELEKTRISCHE VEREISTEN

1. Installeer alle uitrustings-elementen in overeenstemming met de Nationale Elektrische Code (in België het AREI) en met alle toepasselijke plaatselijke codes en reglementeringen. Een kabel met een voldoende equipotentiaal (min. 4,5 mm² aanbevolen), in overeenstemming met de lokale voorschriften, is vereist op alle metalen onderdelen van het zwembad, met inbegrip van de zwembadpomp. Dat is nodig om de elektrische veiligheid te verzekeren en om het risico van corrosie te verminderen.
2. De vaste bedrading moet voorzien zijn van een middel om ze af te sluiten, in overeenstemming met de voorschriften.
3. Monteer de elektrische bedieningselementen niet rechtstreeks op de pomp.

3.4 - OPSTARTEN / BEDIENEN

De pomp starten

- Vul de pompbehuizing met water tot het niveau van de aanzuigleiding.
- Smeer de O-ring van het deksel opnieuw met smeermiddel in telkens u het deksel verwijderd hebt.
- Controleer of het zeefdeksel goed gesloten is, voor u de pomp inschakelt.
- Start de motor, de pomp begint aan te zuigen. De aanzuigtijd hangt af van de aanzuighoogte en de afstand

tot het zwembad. Vijf minuten is normaal.

- De pomp kan een maximaal hoogteverschil van 2,5 meter overwinnen. Als de pomp niet aanzuigt, raadpleeg dan het hoofdstuk "Problemen oplossen".
- Vermijd schade aan uw zwembadproducten door producten voor waterbehandeling (chloor/pH/pompen/...) achter andere uitrusting te installeren.

Onderhoud

De filterkorf moet wekelijks verwijderd en gereinigd worden. Zet de pomp nooit in werking zonder de korf.

Bestanddeel	Controle	Interval	Opmerkingen
Waarschuwingspictogrammen	Visuele controle	Maandelijks	Vervang indien nodig
Watertoevoer	Controleer leidingen en aansluitingen	Maandelijks	Vervang eventuele beschadigde onderdelen onmiddellijk
Veiligheidsinrichtingen	Visuele controle	Maandelijks	Zorg voor een correct(e) installatie/herstel
Algemene toestand van de pomp	Visuele controle	Twee keer per jaar	Kijk uit naar corrosie of schade
Koelribben van elektromotoren	Reinig de koelribben om het koelvermogen in stand te houden	Twee keer per jaar	-
Elektrische uitrusting	Controle	Maandelijks	Bevestig losse aansluitingen of kabels onmiddellijk. Laat alle defecten door een geschoolde elektricien herstellen.
Voorfilterbehuizing	Controleer de behuizing op vuil.	Wekelijks	Verwijder al het vuil grondig
O-ring in deksel van voorfilter	Visuele controle	Twee keer per jaar	-

Overwintering

- Bescherm de pomp tegen vorst.
- Verwijder alle pluggen en laat de pomp en alle leidingen leeglopen.
- Bewaar de pluggen in de zeefmand.
- Berg de pomp in een droge en warme ruimte op.
- Wikkel de motor niet in plastic omdat condensatie de pomp dan kan beschadigen.
- In installaties waar de pomp niet geledigd kan worden, beschermt een mengsel van 40% propyleenglycol en 60% water de pomp bij temperaturen tot -46°C.
- Gebruik uitsluitend propyleenglycol. Andere antivriesmiddelen zijn uiterst giftig en beschadigen de pomp.

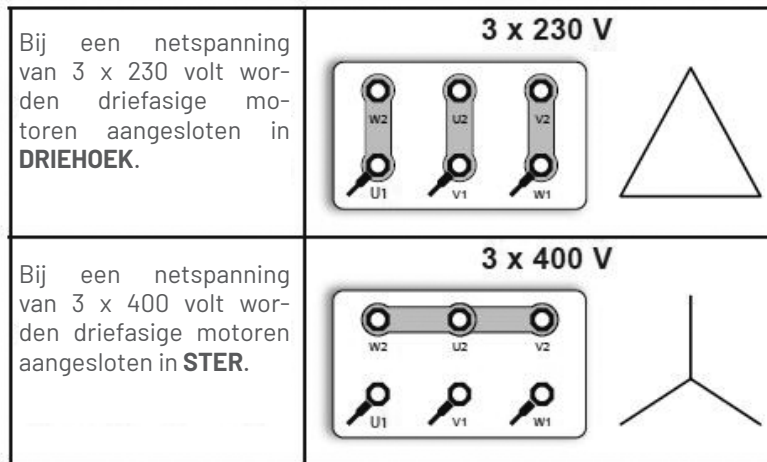
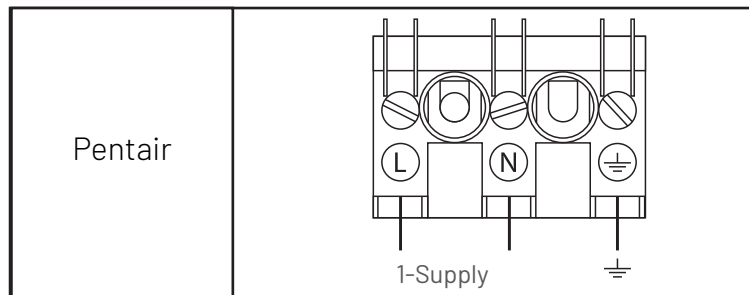
3.5 - ELEKTRISCHE AANSLUITING

De elektrische aansluiting van de motor moet door een vakman gedaan worden in overeenstemming met deze installatie-instructies en de lokale regelgeving. Tijdens de installatie moet bij de inbouw van de pomp een motorveiligheid voorzien worden. Die veiligheid moet op het nominale vermogen van de motor afgestemd zijn. De voedingsspanning moet met een marge van $\pm 5\%$ overeenstemmen met de nominale spanning die vermeld staat op de kenplaat van de motor.

Enkelvoudige-fasemotoren moeten zoals hieronder aangegeven op de twee klemmen aangesloten zijn.

Bedradingschema voor enkelvoudige en drievoudige fase:

* Het onderstaande schema heeft geen voorrang op het elektrische schema op de motor zelf.



De elektrische voedingskabel moet voorzien zijn van een bescherming tegen kortsluitingen en van een hooggevoelig (30 mA) RCD-systeem (reststroom) dat beschermd wordt door een traag werkende zekering of een magnetothermische schakelaar. Zorg ervoor dat u de stroomvoeding van de kabels onderbreekt, wanneer u die op de pomp aansluit.

Voor de installatie dient u de kabeluiteinden van de klemmen te verwijderen!

Controleer de draairichting van de driefasige motor na elke aansluiting. Als die niet met de pijl op de pomp overeenstemt, moeten twee faseverbindingen in de aansluitkast omgekeerd worden. Iedere motor moet een permanente aarding hebben. **Aansluitingen die afwijken van de bovenvermelde voorzorgsmaatregelen, worden niet gedekt door de garantie.**

INFORMATIE OVER DE POMP

3.6 - ONDERHOUD

De pomp is ontworpen om gedurende jaren zonder onderhoud te werken. **Koppel altijd de stroomvoeding van de pomp los voor u die onderhoudt.** De elektrische motor moet door een vakman vervangen worden. Vul de pompzeef met water tot de aanzuigpijp.

3.7 - PROBLEMEN OPLOSSEN

Pomp zuigt niet aan

1. Geen water in voorfilter
2. De voorfilter lekt
3. De O-ring van het deksel is beschadigd
4. Het waterpeil staat onder de skimmer
5. De voorfilter of skimmer is verstopt
6. Gesloten klep in leidingwerk
7. Een luchtlek in de aanzuigleiding

De motor draait niet

1. De hoofdschakelaar is uit
2. De stroomonderbreker is uitgesprongen
3. De pomp staat in de off-modus van een door een timer gestuurd circuit
4. De verbindingen op de terminals van de motor zijn verkeerd aangesloten
5. De as van motor is geblokkeerd
6. Het schoepenrad wordt door vuil geblokkeerd

Laag debiet / hoge filterdruk

1. Filter is vuil
2. Vernauwing in de terugkeerleiding

Laag debiet / lage filterdruk

1. De voorfilter of skimmer is verstopt
2. Schoepenrad verstopt
3. Luchtlek in aanzuigleiding
4. Vernauwing in aanzuigleiding
5. Omgekeerde draai beweging van de motor (alleen bij driefasig systeem)

De pomp maakt geluid

1. Luchtlek in aanzuigleiding
2. Vreemd materiaal in pompbehuizing
3. Cavitatie

U VINDT EEN GEÏLLUSTREERDE LIJST MET RESERVEONDERDELEN OP:

www.pentairpooleurope.com



PENTAIR INTERNATIONAL LLC,
Av. de Sévelin 20, CH-1004 - LAUSANNE, Zwitserland
WWW.PENTAIR.COM

Alle vermelde handelsmerken en logo's van Pentair zijn eigendom van Pentair Inc. of zijn gelieerde bedrijven in de VS en/of andere landen. Geregistreerde en niet-geregistreerde handelsmerken en logo's van derden zijn het eigendom van hun respectieve eigenaars. Omdat we onze producten en diensten continu verbeteren, behoudt Pentair zich het recht voor om specificaties zonder voorafgaande berichtgeving te wijzigen. Pentair past als werkgever het principe van gelijke kansen toe.

© 2020 Pentair. Alle rechten voorbehouden. Dit document kan zonder voorafgaande kennisgeving gewijzigd worden.